

IQ 35M Current Transformers

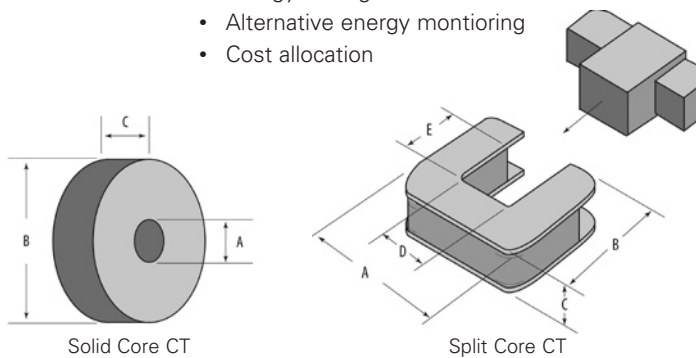
Low Current Ranges 5 to 600 Amps

Description

Solid- and split-core AC current sensors have different hole sizes and current ratings to suit any application. The solid-core models are ideal for new construction projects. Split-core models are perfect for retrofits. Output is fixed at the industry standard of 0-0.333 VAC.

Applications

- Data logging
- Recording
- Power monitoring
- Energy management
- Alternative energy monitoring
- Cost allocation



Features

- High accuracy: 10% to 130%
- 0-0.333 VAC standard output...compatible with existing systems
- Solid-core models have a rugged epoxy encapsulated construction giving it outstanding durability
- Split-core models have interleaving joints for reliability with a self-locking mechanism and no exposed metal, a safe design
- UL recognized

Specifications

Inputs

Frequency range 50-400 Hz

Accuracy

+/- 1% at 10 to 130% of rated current

Outputs

Output at rated current 0.333 VAC

Environmental

Operating temperature range -10° to 55°C (14° to 131°F)

Storage temperature range -40° to 70°C (-40° to 158°F)

Lead length

Eight foot twisted-pair

Certifications

UR, CE, RoHS

Model number	Description	A	B	C	D	E
Solid Core						
IQ35M-SO-030-5	IQ35M CT, Solid Core, 5A:0.33VAC, 0.30 Inch	0.30" (8mm)	1.70" (44mm)	0.75" (19mm)		
IQ35M-SO-030-20	IQ35M CT, Solid Core, 20A:0.33VAC, 0.30 Inch	0.30" (8mm)	1.70" (44mm)	0.75" (19mm)		
IQ35M-SO-050-50	IQ35M CT, Solid Core, 50A:0.33VAC, 0.50 Inch	0.50" (13mm)	1.90" (49mm)	0.75" (19mm)		
IQ35M-SO-075-50	IQ35M CT, Solid Core, 50A:0.33VAC, 0.75 Inch	0.75" (19mm)	2.10" (54mm)	0.75" (19mm)		
IQ35M-SO-125-100	IQ35M CT, Solid Core, 100A:0.33VAC, 1.25 Inch	1.25" (32mm)	2.70" (69mm)	0.80" (21mm)		
IQ35M-SO-125-200	IQ35M CT, Solid Core, 200A:0.33VAC, 1.25 Inch	1.25" (32mm)	2.70" (69mm)	0.80" (21mm)		
IQ35M-SO-125-250	IQ35M CT, Solid Core, 250A:0.33VAC, 1.25 Inch	1.25" (32mm)	2.70" (69mm)	0.80" (21mm)		
IQ35M-SO-125-300	IQ35M CT, Solid Core, 300A:0.33VAC, 1.25 Inch	1.25" (32mm)	2.70" (69mm)	0.80" (21mm)		
IQ35M-SO-125-400	IQ35M CT, Solid Core, 400A:0.33VAC, 1.25 Inch	1.25" (32mm)	2.70" (69mm)	0.80" (21mm)		
Split Core						
Q35M-SP-075-5	IQ35M CT, Split Core, 5A:0.33VAC, 0.75 Inch	2.0" (51mm)	2.1" (54mm)	0.61" (16mm)	0.75" (20mm)	0.75" (20mm)
IQ35M-SP-075-30	IQ35M CT, Split Core, 30A:0.33VAC, 0.75 Inch	2.0" (51mm)	2.1" (54mm)	0.61" (16mm)	0.75" (20mm)	0.75" (20mm)
IQ35M-SP-075-50	IQ35M CT, Split Core, 50A:0.33VAC, 0.75 Inch	2.0" (51mm)	2.1" (54mm)	0.61" (16mm)	0.75" (20mm)	0.75" (20mm)
IQ35M-SP-075-100	IQ35M CT, Split Core, 100A:0.33VAC, 0.75 Inch	2.0" (51mm)	2.1" (54mm)	0.61" (16mm)	0.75" (20mm)	0.75" (20mm)
IQ35M-SP-075-200	IQ35M CT, Split Core, 200A:0.33VAC, 0.75 Inch	2.0" (51mm)	2.1" (54mm)	0.61" (16mm)	0.75" (20mm)	0.75" (20mm)
IQ35M-SP-125-250	IQ35M CT, Split Core, 250A:0.33VAC, 1.25 Inch	3.25" (83mm)	3.35" (86mm)	1.0" (26mm)	1.25" (32mm)	1.25" (32mm)
IQ35M-SP-125-300	IQ35M CT, Split Core, 300A:0.33VAC, 1.25 Inch	3.25" (83mm)	3.35" (86mm)	1.0" (26mm)	1.25" (32mm)	1.25" (32mm)
IQ35M-SP-125-400	IQ35M CT, Split Core, 400A:0.33VAC, 1.25 Inch	3.25" (83mm)	3.35" (86mm)	1.0" (26mm)	1.25" (32mm)	1.25" (32mm)
IQ35M-SP-125-600	IQ35M CT, Split Core, 600A:0.33VAC, 1.25 Inch	3.25" (83mm)	3.35" (86mm)	1.0" (26mm)	1.25" (32mm)	1.25" (32mm)



Powering Business Worldwide

March 2011

High Current Ranges

800 to 2400 Amps

Description

The IQ 35M split-core current transducers, high current ranges, provide a safe 0-0.333VAC output for use with the IQ 35M energy meter.

Applications

- Data logging
- Recording
- Power monitoring
- Energy management
- Alternative energy monitoring
- Cost allocation

Features

- High accuracy: 1% of reading from 10% to 100% of rated current
- 0-0.333V output
- UL recognized

Specifications

Inputs

Frequency range 50/60 Hz

Accuracy

1% of reading from 10% to 100% of the rated current of the CTs

Outputs

Output at rated current 0.333

Mechanical

Installation category Cat II or Cat III

Environmental

Operating temperature range -15° to 60°C (5° to 140°F)

Storage temperature range -40° to 70°C (-40° to 158°F)

Humidity range 0-95% noncondensing

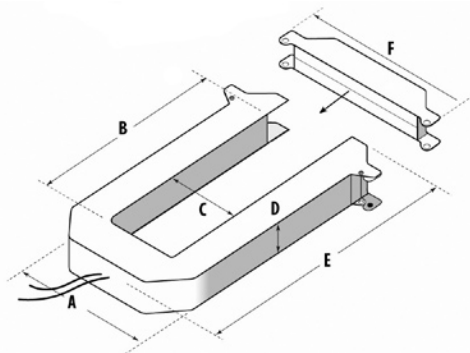
Lead length

Six foot twisted-pair

Certifications

UR, CE

Model number	Description	A	B	C	D	E	F
IQ35M-SP-253-800	IQ35M CT, Split Core, 800A:0.33VAC, 2.5 Inch	4.9" (125mm)	2.9" (73mm)	2.5" (62mm)	1.2" (30mm)	5.2" (132mm)	5.9" (151mm)
IQ35M-SP-255-1000	IQ35M CT, Split Core, 1000A:0.33VAC, 2.5 Inch	4.9" (125mm)	5.5" (139mm)	2.5" (62mm)	1.2" (30mm)	7.9" (201mm)	6.0" (151mm)
IQ35M-SP-255-1200	IQ35M CT, Split Core, 1200A:0.33VAC, 2.5 Inch	4.9" (125mm)	5.5" (139mm)	2.5" (62mm)	1.2" (30mm)	7.9" (201mm)	6.0" (151mm)
IQ35M-SP-255-1600	IQ35M CT, Split Core, 1600A:0.33VAC, 2.5 Inch	4.9" (125mm)	5.5" (139mm)	2.5" (62mm)	1.2" (30mm)	7.9" (201mm)	6.0" (151mm)
IQ35M-SP-255-2000	IQ35M CT, Split Core, 2000A:0.33VAC, 2.5 Inch	4.9" (125mm)	5.5" (139mm)	2.5" (62mm)	1.2" (30mm)	7.9" (201mm)	6.0" (151mm)
IQ35M-SP-255-2400	IQ35M CT, Split Core, 2400A:0.33VAC, 2.5 Inch	4.9" (125mm)	5.5" (139mm)	2.5" (62mm)	1.2" (30mm)	7.9" (201mm)	6.0" (151mm)



Eaton Corporation

Electrical Sector
 1000 Cherrington Parkway
 Moon Township, PA 15108
 United States
 877-ETN-CARE (877-386-2273)
 Eaton.com/meters

© 2011 Eaton Corporation
 All Rights Reserved
 Printed in USA
 Publication No. TD02609001E / TN
 March 2011



Eaton is a registered trademark of Eaton Corporation.

All other trademarks are property of their respective owners.