

# Meter Selection Guide



**IQ 250/260 Electronic Power Meter**

Feature	IQ150	IQ250	PXM2250
<b>Instrumentation</b>			
Current, per phase	•	•	•
Current demand	•	•	•
Calculated neutral current	•	•	•
Voltage, per phase (L-L, L-N)	•	•	•
Min/Max Readings I, V	•	•	•
Min/Max Readings I, V, PF, F, W, VAR, VA	•	•	•
Frequency	•	•	•
<b>Power</b>			
Real, reactive and apparent power, (W, VAR, VA)	•	•	•
Power factor, total	•	•	•
Real, reactive and apparent power demand	•	•	•
<b>Demand Methods</b>			
Block interval (sliding, fixed)	•	•	•
<b>Energy</b>			
Real, reactive and apparent energy, total (Wh, VAR, Vah)	•	•	•
<b>Data Logging</b>			
Memory		Opt, 128 KB	256 MB
<b>Communications</b>			
RS-485, Modbus RTU/ASCII, KYZ Output	Opt	•	•
DNP 3.0		•	•
<b>Digital I/O</b>			
Digital Input		Opt	Opt
Digital Output		Opt	Opt
<b>Analog I/O</b>			
Analog Output		Opt	Opt
<b>Ethernet</b>			
HTTP (Web pages)		*	•
SMTP (Email)		*	•
NTP (Time Sync)		*	•
Modbus TCP/IP (RJ-45)	Opt	*	•
BACnet/IP			•
SNMP		*	•
Phasor Diagram (Web View - Wye Connected)			•
<b>Revenue Accuracy</b>			
ANSI C12.20 (0.5 or 0.2%)	0.5%	0.2%	0.2%

**\*Note:** Option can be added later by upgrading to a Power Xpert Meter 2000 series using a Power Xpert Meter 2000 Gateway Card Kit (PXM2000-GCK).

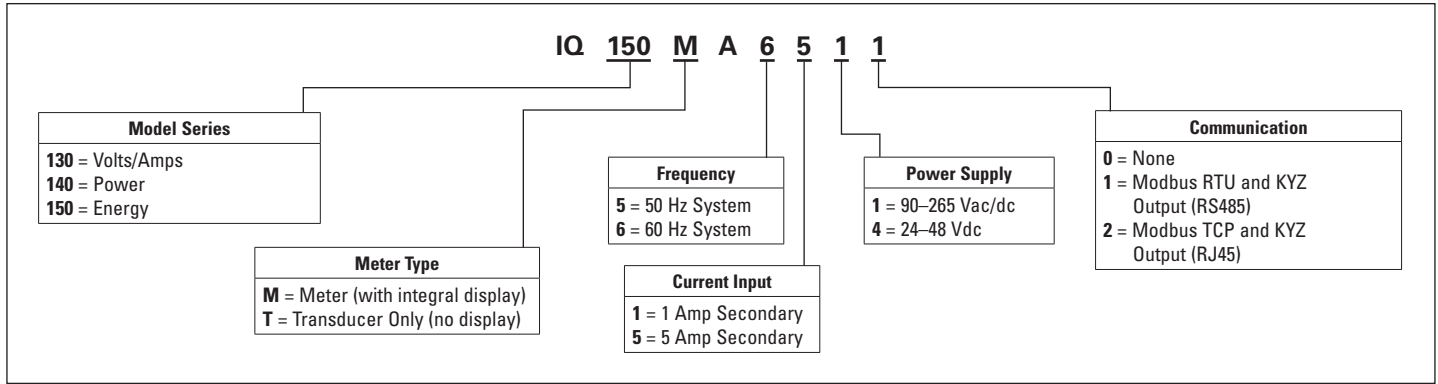
This is not the full line of power and energy meters offered by Eaton. Please see [www.eaton.com/meters](http://www.eaton.com/meters) for a complete list.



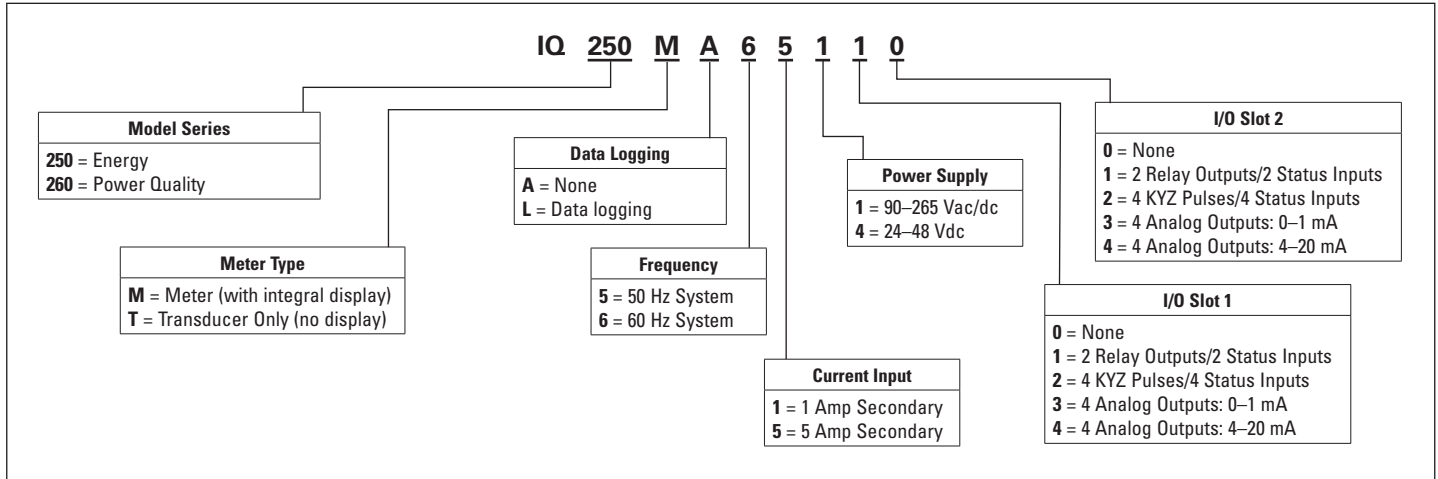
Powering Business Worldwide

# Ordering Information

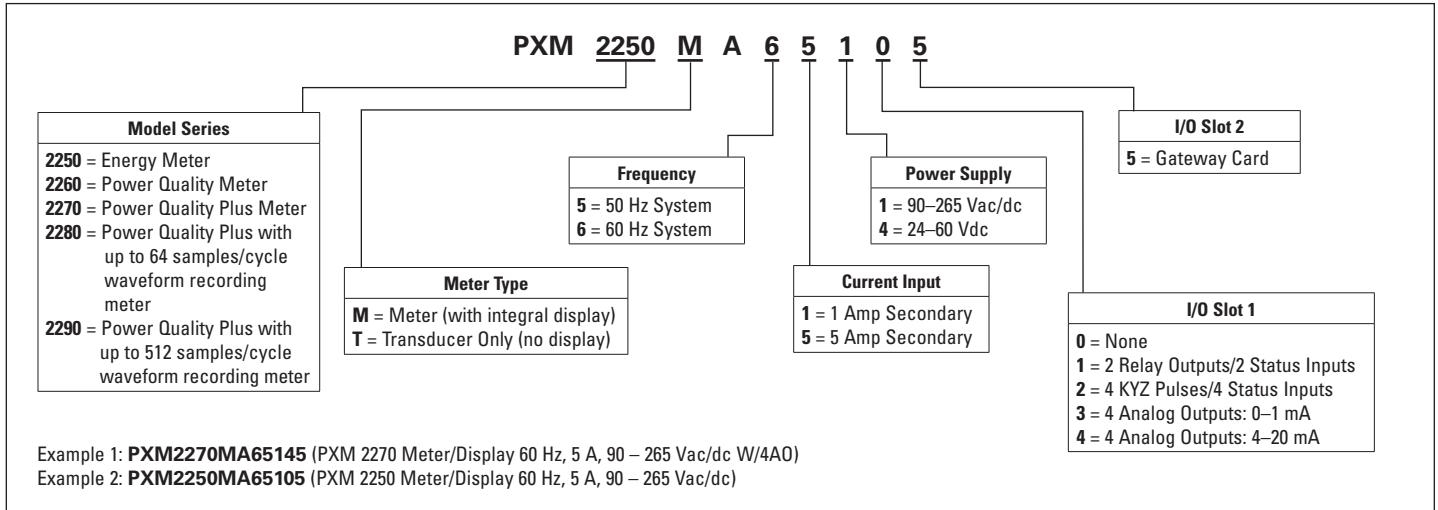
**Table 1. IQ 100 Meter Catalog Numbering System**



**Table 2. IQ 250/260 Meter Catalog Numbering System**



**Table 3. Power Xpert Meter 2000 Catalog Numbering System**



**Table 4. IQ Meter Accessories**

Description	Catalog Number
Panel Mounting Adapter Kit for retrofitting an IQ 100 meter, an IQ 250/260 meter or a Power Xpert Meter 2000 to an IQ Analyzer/IQ DP-4000/IQ Data Cutout	<b>IQ250-PMAK</b>
PXM 2000 Gateway Card Kit to Upgrade an IQ 250/260 to a PXM 2000	<b>PXM2000-GCK</b>

**Table 5. Power Xpert Meter 2000 & IQ 250/260 I/O Cards**

Description	Catalog Number
PXM 2000 & IQ 250/260 I/O Card-2 Relay Outputs/2 Status Inputs	<b>IQ250/260-I01</b>
PXM 2000 & IQ 250/260 I/O Card-4 KYZ Pulses/4 Status Inputs	<b>IQ250/260-I02</b>
PXM 2000 & IQ 250/260 I/O Card-4 Analog Outputs - 0–1 mA	<b>IQ250/260-I03</b>
PXM 2000 & IQ 250/260 I/O Card-4 Analog Outputs - 4–20 mA	<b>IQ250/260-I04</b>

**Eaton Corporation**  
 Electrical Sector  
 1111 Superior Ave.  
 Cleveland, OH 44114  
 United States  
 877-ETN-CARE (877-386-2273)  
 Eaton.com/meters

© 2012 Eaton Corporation  
 All Rights Reserved  
 Printed in USA  
 SA02722005E / TN  
 April 2012

Eaton and Power Xpert are registered trademarks of Eaton Corporation.

All other trademarks are property of their respective owners.