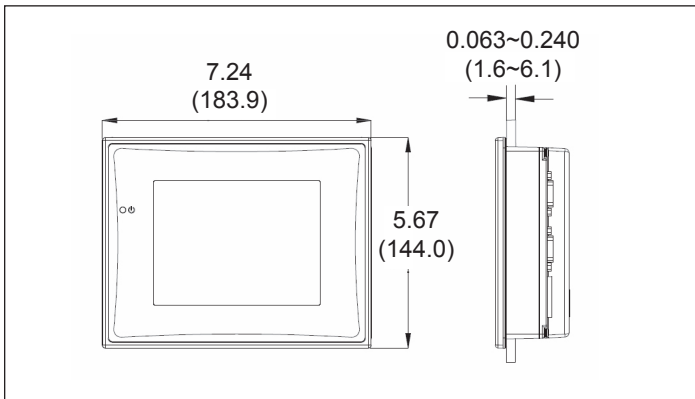


# PXBCM Meter Color Touchscreen Display Quick Start Guide

For detailed information concerning the operation and features available in the PXBCM Meter Display - 6" Color Touchscreen (PXBCM-DISP-6), please refer to PXBCM Meter Color Touchscreen Display Features (IB150007EN) available on the Eaton website ([www.eaton.com/meters](http://www.eaton.com/meters)).

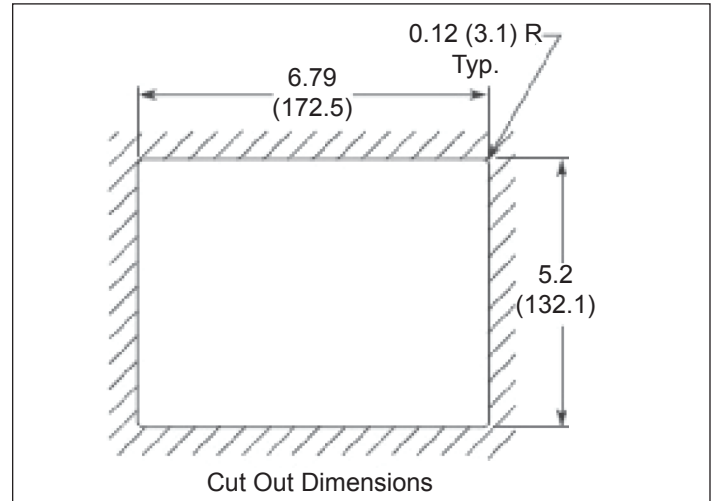


**Figure 1. Dimensions of the PXBCM Meter Display - 6" Color Touchscreen (PXBCM-DISP-6).**

## Installation

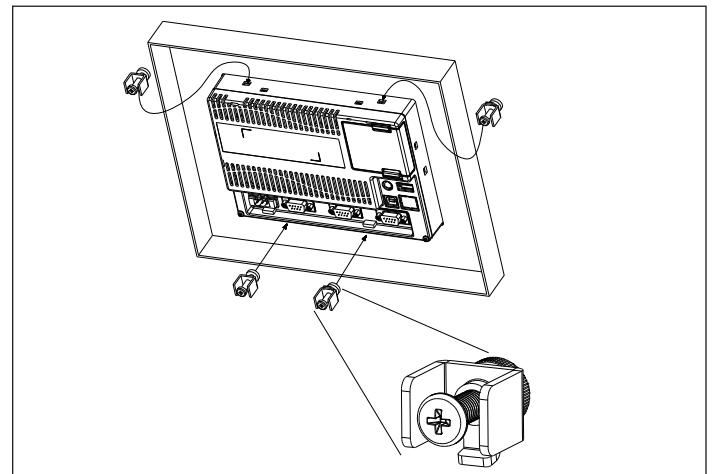
1. Disconnect and lockout all power to the enclosure.
2. Inspect the enclosure door to determine the best mounting location for the PXBCM Meter Color Touchscreen Display.
 

**Note:** A minimum clearance of 2.4 in. (61.0 mm) must be maintained between the ventilation holes in the back of the display and any other component within the enclosure.
3. Use the mounting template to mark the cutout area on the enclosure door. Cut out the marked area.



**Figure 2. Cut Out Dimensions.**

4. Insure proper gasket placement on the PXBCM Meter Color Touchscreen Display.
5. Insert the PXBCM Meter Color Touchscreen Display through the cutout. Secure by finger tightening the supplied fasteners.



**Figure 3. Mounting the PXBCM Meter Display.**

6. Check for proper alignment of the PXBCM Meter Color Touchscreen Display then torque fasteners to 6 lb-in. (0.7 N·m).



Powering Business Worldwide

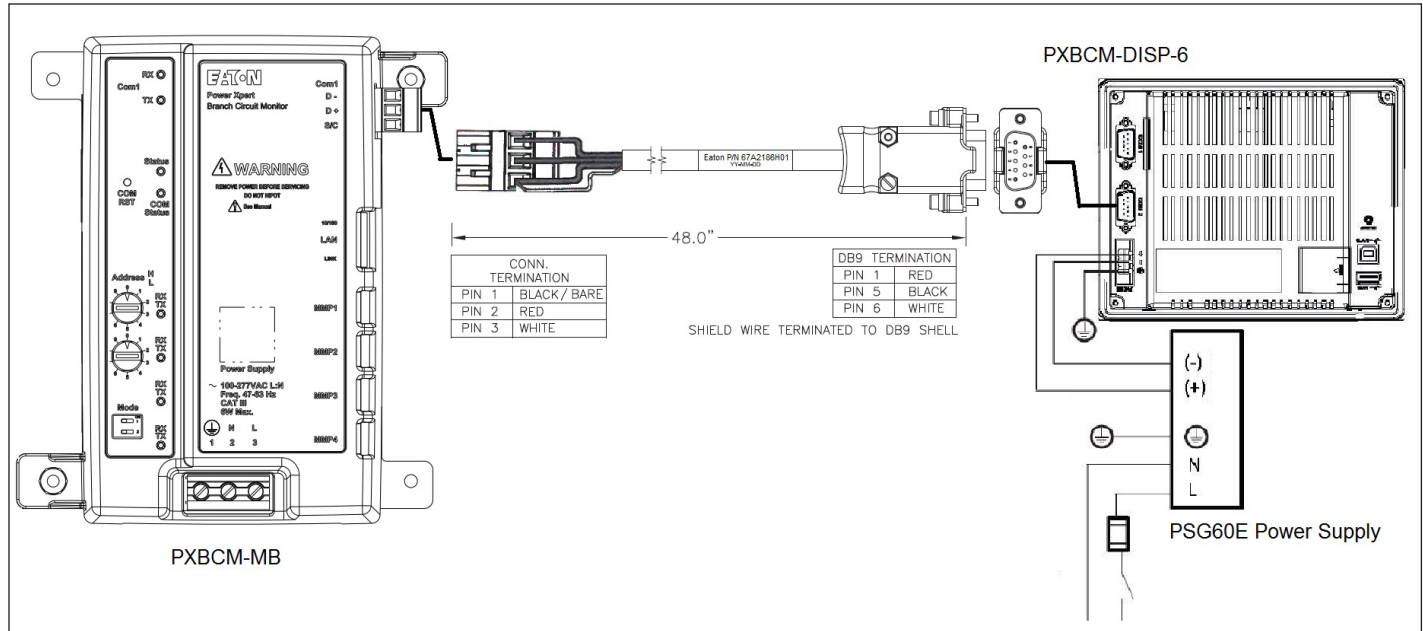


Figure 4. Power and COM Port Connections for the PXBCM Meter Display Touch Screen Display.

## Connections

To use the PXBCM Meter Color Touchscreen Display, provide 24 Vdc and connect the power cable between the PXBCM Color Touchscreen Display and the PXBCM-MB Meter.

The display's plug-in terminals provide connections for +24 V, Common (0), and GND. Included with the PXBCM Meter Color Touchscreen Display is a data cable to connect DB9 COM 2 of the Color Touchscreen Display to 3-terminal COM 1 (RS485) of the PXBCM Meter Base.

The supplied cables are designed to connect the meter to the PXBCM Color Touchscreen Display as follows:

- PXBCM- MB Com 1 (s/c) [Black & Bare]
- Com 1 (D+) [Red]
- Com 1 (D-) [White]

For best results, use the default communication settings for the PXBCM Color Touchscreen Display (115.2 kbps, 1 start bit, 1 stop bit, no parity).

**Note:** By default, the PXBCM Color Touchscreen Display is preset for a PXBCM Meter Base slave address of "01". To accommodate a different slave address, the User MUST Change the PXBCM Meter Color Touchscreen Display's "PLC DEFAULT STATION".



Figure 5. Changing the PLC Default Station.

**Eaton**  
Electrical Sector  
1000 Eaton Boulevard  
Cleveland, OH 44122  
United States  
877-ETN-CARE (877-386-2273)  
Eaton.com

© 2015 Eaton  
All Rights Reserved  
Printed in USA  
Publication No. TD150016EN / TBG001200  
February 2015