

# Pow-R-Line Xpert Aftermarket Breakers



**PRLXCS switchboard**

**PRLX switchboard**

**Pow-R-Line Xpert panelboards**



*Powering Business Worldwide*



# Gather Information for your Aftermarket breaker

Are you replacing an existing breaker or adding a new breaker to your Pow-R-Line Xpert assembly?

Replacing existing breaker in Pow-R-Line Xpert Assembly

Note: Pow-R-Line C Aftermarket kits cannot be added to PRLX assemblies

Replacing an existing breaker in a Pow-R-Line Xpert Assembly?

Pg-6

Adding a new breaker to your Pow-R-Line Xpert Assembly.

Proceed to next page for catalogue number information  
Pub#PA012016EN

Adding a new breaker in a Pow-R-Line Xpert Assembly?

Pg-4

# Adding a new breaker in a Pow-R-Line Xpert Assembly?

**PD G 3 3 M 0400 P5M J**

Certifications	Frame	Poles 0-6	Interrupting ratings—CL denotes current limiting:												Continuous current ratings	Trip units (see values detailed in PXR table)	Terminal options
			240 V: 25 kA	35 kA	65 kA	85 kA	100 kA	150 kA	200 kA	200 kA	480 V: 18 kA	25 kA	35 kA	50 kA			
G UL/CSA/CCC/IEC	1	1, 2, 3, 4, 0	C	F	G	K	M (CL)	N (CL)	P (CL)						0015, 0020, 0025, 0030, 0035, 0040, 0045, 0050, 0055, 0060, 0065, 0070, 0100, 0110, 0125	TFF, VFF	N, S, D, E, J, K, L, T, U, V
G UL/CSA/CCC/IEC	1	3, 4			G	M									0125	KNS	
G UL/CSA/CCC/IEC	2	1, 0			F	G	K	M							0015, 0020, 0025, 0030, 0035, 0040, 0045, 0050, 0055, 0060, 0070, 0080, 0090, 0100, 0110, 0125, 0150	TFF, VFF	N, S, D, E, J, K, L, T, U, V, W, X, Y, Z
G UL/CSA/CCC/IEC	2	2, 3, 4, 6, 0			F	G	K (CL)	M (CL)	N (CL)	P (CL)					0015, 0020, 0025, 0030, 0035, 0040, 0045, 0050, 0055, 0060, 0070, 0080, 0090, 0100, 0110, 0125, 0150, 0175, 0200, 0225	TFF, VFF	
G UL/CSA/CCC/IEC	2	3, 4			F	G	K (CL)	M (CL)	N (CL)	P (CL)					0060, 0100, 0150, 0225	B2N, EHV, P5M	
F UL (100% rated) / CSA/CCC/IEC	2	3, 4			F	G	K (CL)	M (CL)	N (CL)	P (CL)					0100, 0150, 0225	KNS	
D UL/CSA rated up to 240 Vac	2	3			F	G	K (CL)	M (CL)	N (CL)	P (CL)					0060, 0100, 0150, 0225	B2N, EHV, P5M	
G UL/CSA/CCC/IEC	3	2, 3, 4, 6, 0			F	G	K	M (CL)	N (CL)	P (CL)					0100, 0125, 0150, 0175, 0200, 0225, 0250, 0300, 0350, 0400, 0500, 0600	TFA, VFA	N, X, S, D, E, J, K, L, T, U, V, W, X, Y, Z, A, B, C
G UL/CSA/CCC/IEC	3	2, 3, 4			F	G	K	M (CL)	N (CL)	P (CL)					0400, 0500	FN	
F UL (100% rated) / CSA/CCC/IEC	3	3, 4			F	G	K	M (CL)							H250, H300, H350, H400, H500, 0500	TFA	
F UL (100% rated) / CSA/CCC/IEC	3	3, 4			F	G	K	M (CL)							0125, 0250, H250, 0400, H400, 0500	B2N, EHV, P5M	
D UL/CSA rated up to 240 Vac	3	3, 4			F	G	K	M (CL)							0400, 0500	FN	
G UL/CSA/CCC/IEC	4	2, 3, 4, 6, 0					G	K	M						0300, 0350, 0400, 0450, 0500, 0550, 0600, 0650, 0700, 0800	TFA, VFA	N, X, S, D, E, J, K, L, T, U, V, W, X, Y, Z, A, B, C
G UL/CSA/CCC/IEC	4	2, 3, 4					G	K	M						0800	B2N, EHV, P5M	
F UL (100% rated) / CSA/CCC/IEC	4	3, 4					G	K	M						0800	FN	
F UL (100% rated) / CSA/CCC/IEC	4	3, 4					G	K	M						0800	KNS	
F UL (100% rated) / CSA/CCC/IEC	4	3, 4					G	K	M						0800	B2N, EHV, P5M	
F UL (100% rated) / CSA/CCC/IEC	4	3, 4					G	K	M						0800	FN	
G UL/CSA/CCC/IEC	5	2, 3, 4					K	M	N	P					0800, 1200	EHV, P5M	N, M, X
G UL/CSA/CCC/IEC	5	3, 4					K	M	N	P					0800, 1200	FN	
F UL (100% rated) / CSA/CCC/IEC	5	3, 4					K	M	N	P					0800, 1200	KNS	
F UL (100% rated) / CSA/CCC/IEC	5	3, 4					K	M	N	P					0800, 1200	EHV, P5M	
J UL/CSA rated up to 480 Vac	5	3													0800	FN	
G UL/CSA/CCC/IEC	6	2, 3, 4							M	N	P				1600, 2000, 2500	EHV, P5M	N, M
G UL/CSA/CCC/IEC	6	3, 4							M	N	P				1600, 2000, 2500	FN	
F UL (100% rated) / CSA/CCC/IEC	6	3, 4							M	N	P				1600, 2000	KNS	
F UL (100% rated) / CSA/CCC/IEC	6	3, 4							M	N	P				1600, 2000	EHV, P5M	
F UL (100% rated) / CSA/CCC/IEC	6	3, 4							M	N	P				1600, 2000	FN	

**Notes:**  
 Wire capacity is based on standard imperial wire sizes; metric sizes provided in table are a direct conversion to demonstrate maximum capacity, not to denote metric wire sizes. Other options and configurations are available. Consult with product line or terminal offering literature.  
 For PD-1 through PD-4, No Terminals and Screw Terminals (end cap kit) are also available:  
**N**—No terminals  
**S**—Line and load side screw terminals  
**D**—Line side only screw terminals  
**X**—Aftermarket assemblies breaker to be ordered with connector kit (standard load side terminals on PD2, PD3, PD4).

For PD-5 and PD-6, only configuration on Digit 14 is No Terminals:  
**N**—No terminals (imperial tapped terminals)—Default option  
**X**—Aftermarket assemblies breaker to be ordered with connector kit (No Terminals)  
 Accessories may also be configured for factory installation by adding Digits 15–20 to the catalog number. If no accessories are needed, Digits 15–20 default to NNNNNN, but are not required for order entry. Consult catalog or product selector tool for additional details.

PXR ETU (Character 11)	P <sub>1</sub> = Protection type (Character 12)					P <sub>2</sub> = Available configured options (Character 13)							
	L51	L51G	L51G with ANMS	L51G with ANMS	None	Relays	Relays Modbus	Relays ZSI	Relays CAM	Relays ZSI CAM	Relays CAM	Relays CAM	Relays CAM
PXR 10	B	2			N								
PXR 20	E	2	3	4	5	N	R	M	Z	C	W	X	
PXR 25	P	2	3	4	5		R	M	Z	C	W	X	D

**Note:**  
 Relays—Form A contacts programmable for external indication.  
 Modbus—Modbus RTU directly from trip unit.  
 ZSI—Zone selective interlocking.  
 CAM—CAM Link for connection to external communications adapter module (ICAM); contact product line or catalog for ordering information.

Setting	PD-2					PD-3					PD-4					PD-5					PD-6				
	60 A	100 A	150 A	225 A	225 A	125 A	250 A	400 A	600 A	800 A	800 A	1200 A	1200 A	1600 A	2000 A	2500 A	1600 A	2000 A	2500 A	1600 A	2000 A	2500 A			
PXR 10	15 A	32 A	50 A	80 A	45 A	90 A	180 A	250 A	320 A	320 A	500 A	700 A	1000 A	1600 A											
PXR 20	16 A	35 A	60 A	90 A	50 A	100 A	175 A	275 A	350 A	350 A	550 A	800 A	1100 A	1700 A											
3	20 A	40 A	63 A	100 A	60 A	110 A	200 A	300 A	400 A	400 A	600 A	900 A	1200 A	1800 A											
4	25 A	50 A	70 A	110 A	63 A	125 A	225 A	320 A	450 A	450 A	630 A	1000 A	1250 A	1900 A											
5	30 A	60 A	80 A	125 A	70 A	150 A	250 A	350 A	500 A	500 A	700 A	1100 A	1400 A	2000 A											
6	35 A	63 A	90 A	150 A	80 A	160 A	275 A	400 A	550 A	550 A	800 A	1200 A	1600 A	2100 A											
7	40 A	70 A	100 A	160 A	90 A	175 A	300 A	450 A	600 A	600 A	900 A	1250 A	1700 A	2200 A											
8	45 A	80 A	110 A	175 A	100 A	200 A	320 A	500 A	630 A	630 A	1000 A	1400 A	1800 A	2300 A											
9	50 A	90 A	125 A	200 A	110 A	225 A	350 A	550 A	700 A	700 A	1100 A	1500 A	1900 A	2400 A											
10	60 A	100 A	150 A	225 A	125 A	250 A	400 A	600 A	800 A	800 A	1200 A	1600 A	2000 A	2500 A											
& PXR 25	Programmable from minimum to maximum values in 1 A increments										Programmable from minimum to maximum values in 10 A increments														

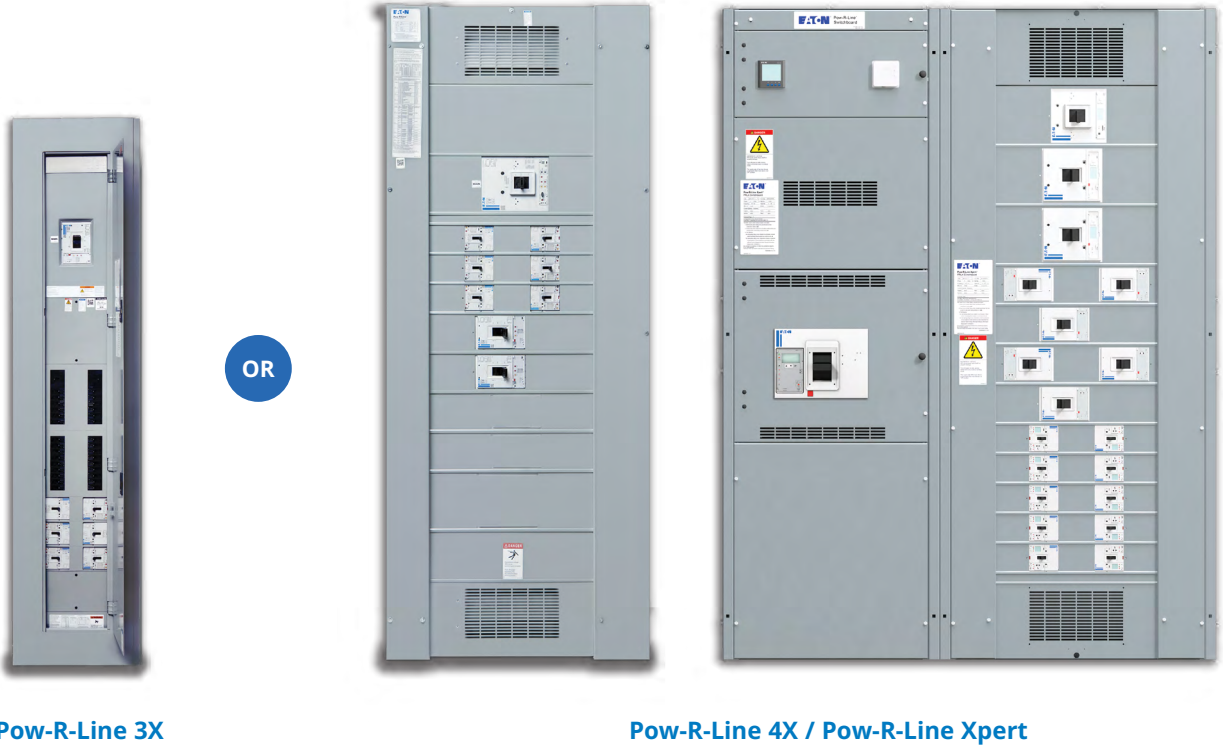
Type	Character 11	Thermal type	Character 12	Magnetic type	Character 13
TMTU	T	Fixed	F	Fixed	F
TMTU—50 °C (not UL)	V			Adjustable	A
Moulded case switch	K	None	N	Moulded case switch	S
Frame only	F	None	N	None	N

**Note:** For catalogue numbers typically PD3, PD4 where FNN is followed by X, reach your local distributor or sales rep for support with assemblies aftermarket breaker ordering.

ie. PDG33M0600E2NX

Remember your 14 Digit catalogue number  
**\*\*14th digit must be "X" for PRLX assemblies**

## 1. Which Pow-R-Line Xpert assembly are you looking to add your breaker to?



## 2. Is your breaker twin or single mounted?

**Table 1. Which breakers qualify for twin/single mounting**

Panel Type	Twin Mounted	Single Mounted
PRL3X	PDG2	PDG2
PRL4X/PRLX Switchboard	PDG2	N/A
	PDG3 (400A) <sup>①</sup>	PDF3 (400A) PDG3/PDD3 (400A)
	N/A	PDG3 (600A) <sup>①</sup>
	N/A	PDG4 <sup>①</sup> /PDF4 <sup>①</sup>
	N/A	PDG5 <sup>①</sup> /PDJ5 <sup>①</sup> /PDF5 <sup>②</sup>

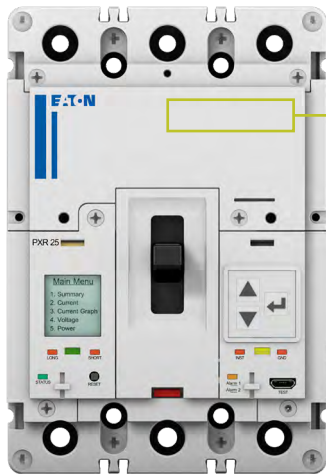
Note: <sup>①</sup> Requires 38"W box <sup>②</sup> Requires 48"W box

## 3. Visit your local distributor to order your breaker

# Replacing an existing breaker in a Pow-R-Line Xpert Assembly?

## 1. Find the Catalogue number on your breaker

\*\*\*\*\* Breaker catalogue number must end with an 'X' to be placed in a Pow-R-Line Xpert Assembly



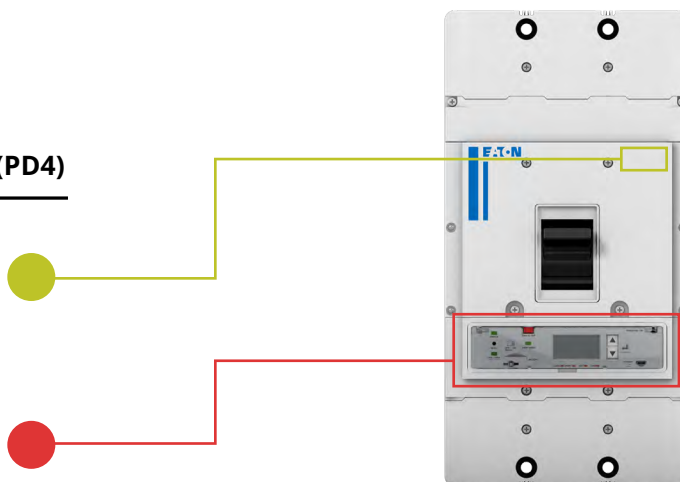
**For 225A (PD2) and 1200A (PD5)**

**Check the full catalogue at the top right corner of the breaker**

**For 400A/600A (PD3) and 800A (PD4)**

**Find the catalogue number on the top right - ie. PDG33G0400FNNX**

**Find the catalogue number on the trip unit - ie. PDG3XPXR30400E2N**

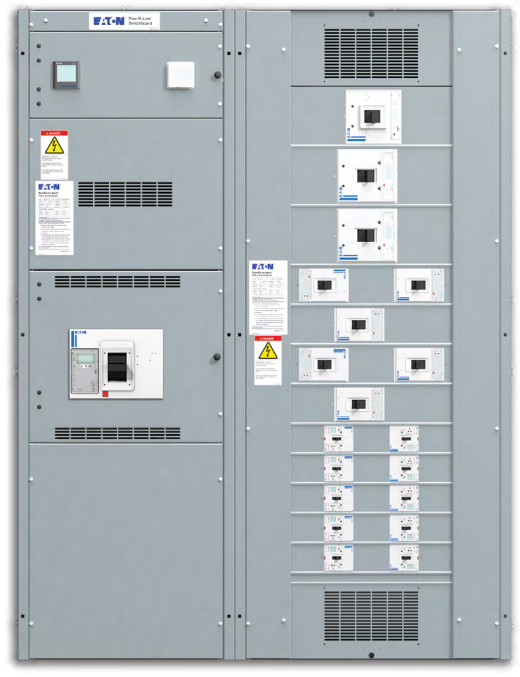


## 2. Which Pow-R-Line Xpert assembly are you looking to add your breaker to?



Pow-R-Line 3X

OR



Pow-R-Line 4X / Pow-R-Line Xpert

## 3. Is your breaker twin or single mounted?



**Table 1. Which breakers qualify for twin/single mounting**

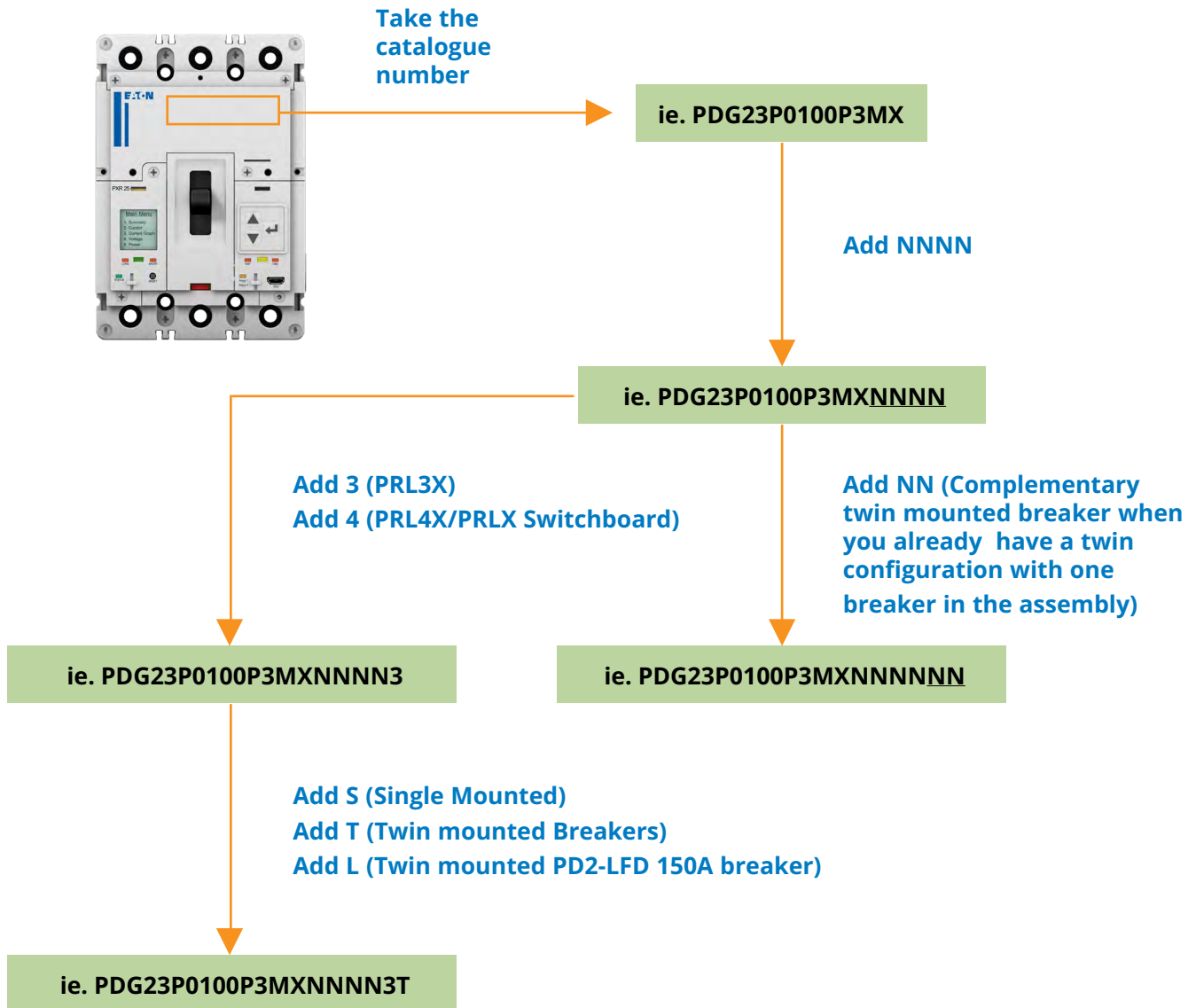
Panel Type	Twin Mounted	Single Mounted
PRL3X	PDG2	PDG2
PRL4X/PRLX Switchboard	PDG2	N/A
	PDG3 (400A) <sup>①</sup>	PDF3 (400A) PDG3/PDD3 (400A)
	N/A	PDG3 (600A) <sup>①</sup>
	N/A	PDG4 <sup>①</sup> /PDF4 <sup>①</sup>
	N/A	PDG5 <sup>①</sup> /PDJ5 <sup>①</sup> /PDF5 <sup>②</sup>

Note: ① Requires 38"W box ② Requires 48"W box

## 4. Visit your local distributor to order your breaker

# Distributors

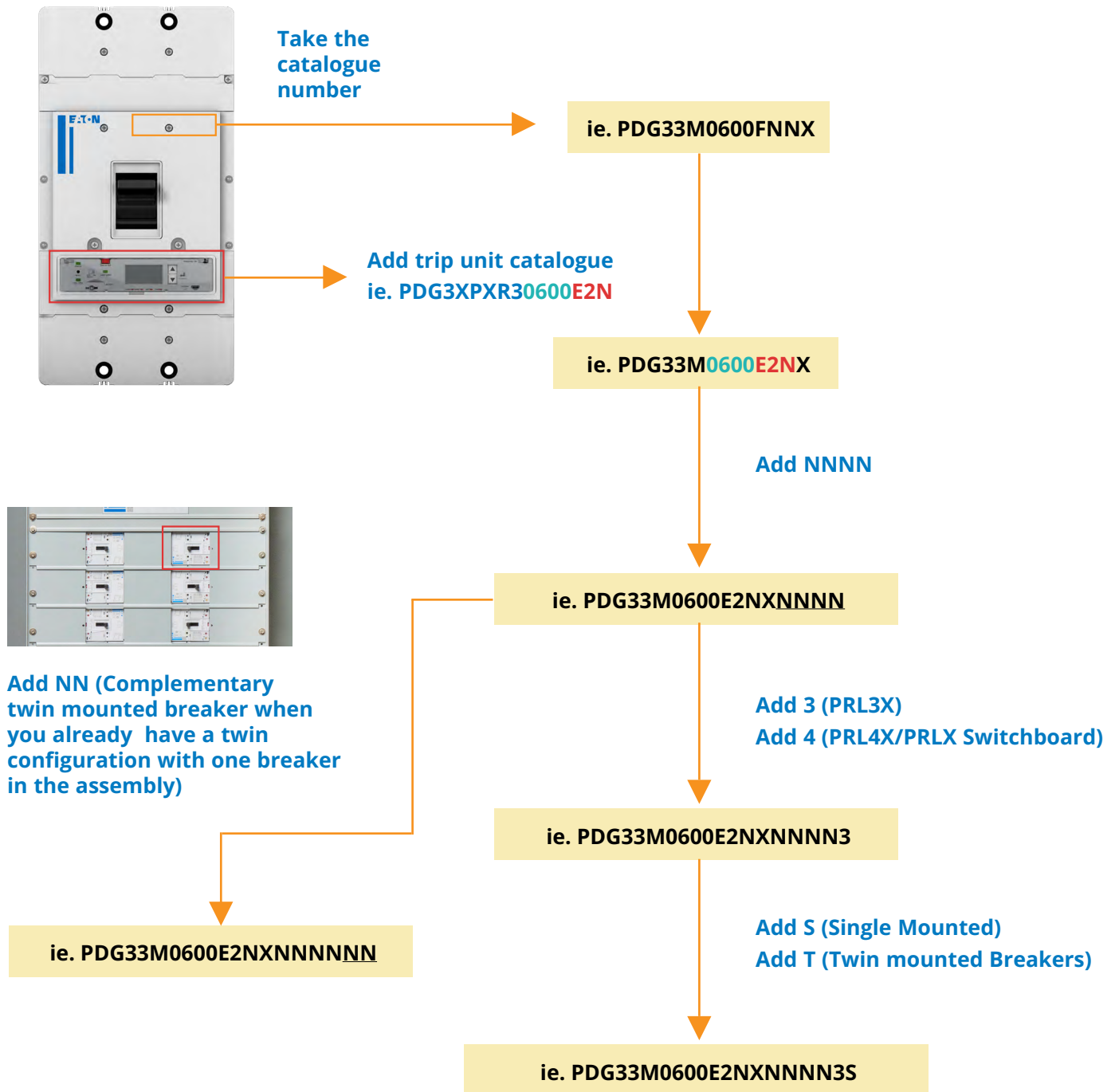
For 225A (PD2) and 1200A (PD5)



**Note:** All PD2 (225A) with PXR10, PXR20, PXR25 must be PDy2xP construction where x = number of poles and y = D, G



For 400A/600A (PD3) and 800A (PD4)



# Ordering Pow-R-Line Xpert Assembly Breakers

Once you have your breaker numbers handy you can check your distributor system to see if these breakers are on hand or order using Power Defense MCCB Take OFF and selecting Market Selection "Aftermarket" in bidmanager shown below below.

**EATON** Power Defense MCCB

Quantity: 1

Designation: [ + ]

ID/Catalog # Lookup: PDG23F0015TFFXNNNN3T

Lead Time: N/A Price (Domestic Pricing): \$1,271.32

### Breaker Application Options

Market Selection: Aftermarket PRL3X (Breaker + Connector Kit)

Connection Type: Twin Mounted

### Power Defense MCCB

Industry Standard: Globally Rated/UL Standard (600V)

Frame Size: Frame 2

Poles: 3 Pole

Current In(A): 15A

Available Current Ir(A): = In (A)

[EatonCanada.ca/PRLXpert](https://EatonCanada.ca/PRLXpert)