

SIGNIFICANT SAVINGS AND MAXIMUM FLEXIBILITY



Customers need to upgrade their existing electrical systems to meet growing power demands.

Upgrading existing distribution equipment can present many challenges for facility managers such as high cost and a long shutdown. Eaton offers the most economical life extension solution with the new Pow-R-Line 4R Panelboard, specifically designed to reduce installation time.

Eaton retrofit solutions expand from lighting panelboards (Pow-R-Line 1R & 2R) to power panelboards, with the addition of the Pow-R-Line 4R retrofit. Panelboard chassis are engineered to adapt to the existing enclosures and therefore significantly reduce the installation cost of an otherwise brand-new panelboard.

The retrofit panelboard is available up to 1200A and is offered as an Eaton installed solution with EESS (Eaton Electrical Services and Systems).

Benefits

- Eaton's installed solution
- Reduced installation time
- Site Verification and Application Review
- Extended warranty
- CSA listed equipment to fit into any manufacturer's enclosure

Market Segment & Applications

- Schools and Universities
- Healthcare facilities
- Commercial buildings
- Industrial facilities
- Utility installations
- Hi-rise towers and condominiums

Retrofit Features

- Panelboard and switchboard retrofit
- Integral depth adjustment to fit custom depths
- Custom trim collar
- Tin plated aluminum and silver-plated copper bus
- Top and bottom entry or cross-bussed
- Custom height
- Surge protective devices
- Metering options
- Optional door over distribution

Breaker Options

- Padlock Hasp
- Visible windows
- Electronic trip units
- Maintenance Mode (ARMS)
- Communications over network
- Shunt trip
- Auxiliary contacts
- Bell alarm
- Main or branch breaker up to 1200A
- Higher interrupting capacities

Advanced Retrofit Solutions

- Distribution chassis retrofits in existing switchboards, including upgrade and refurbishment of existing bus systems, large frame breakers, metering, relays are available from EESS.



Powering Business Worldwide

Pow-R-Line 4 Retrofit Panelboard

Required Information

- Dimensions (height, width, depth)
- Short circuit rating
- Top or bottom entry
- Special neutral requirements
- Location of existing lugs
- Main breaker or main lug
- Cross bus location (switchboard only)
- Metering and SPD devices
- Special door and trim requirements, if applicable



PRL 4R Interior reduces installation time by using an existing enclosure with adjustable sliding mechanism



College Retrofit Installation: Before & After



Dimensional Guidelines (for compliance with CSA)

Bus Amps (A)	Interrupting Rating (kA)	Max Branch Breaker (A)	Voltage (Vac)	Min Height (Inch)	Min Width (Inch)
1200	65	1200	600	73.5	44.0
1200	65	600	600	73.5	38.0
800	65	600	600	57.0	30.0
800	50	400	600	57.0	24.0

Depth Requirements

Min Depth (Inch)	Notes
11.5	No collar
9	Box collar
< 9	Custom collar

Height (X-space) Requirements

Chassis Size	Min Height (Inch)
26X	57
38X	72
50X	88

N.B. Non-CSA Compliant retrofits can be accommodated by on-site special inspections by applicable Utility Authority, organized by EESS

PRL4R Spec Requirement Guide

PRL4 retrofit panels require special information that Eaton requires to pre-engineer this custom-made product, ensuring the retrofit will install in the space available. This information will also be used to highlight custom requirements, or any special issues. Please include the following details in the Tender Documents.

Panel Designation: _____

Exterior Photo and Interior Photo: Under separate cover

Box Details:

Width (W): _____ Height (H): _____ Depth(D): _____

Flange (F) Dimensions: _____

System information:

System voltage: _____ # Phases/ # Wires: _____

Bus Amperage: _____

Interrupting Capacity: _____

Chassis Bus and Breaker Details:

Main Breaker Amperage: _____

Main Breaker incoming cable size and quantity: _____

or Main Lug Only size and quantity: _____

Copper silver plated or Aluminum tin plated Bus: _____

Special Neutral requirements: _____

How many neutrals: _____

Panel Mounting Details:

Surface or Flush Mounted: _____

Special overhang of Flush trim, if required: _____

Door Requirements, if any: _____

Top or Bottom cable entry: _____

Paint Colour Details:

ASA 61 Gray, standard

or, Special Colour: _____

Additional Details:

Panel Schedule: Sketch of Panel Layout showing Branch Breakers and Locations. See page 4.

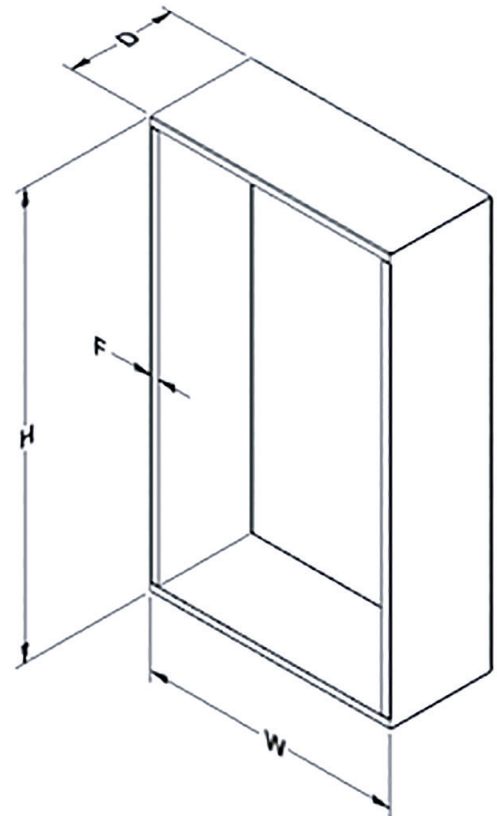
Special devices such as SPD, Metering: _____

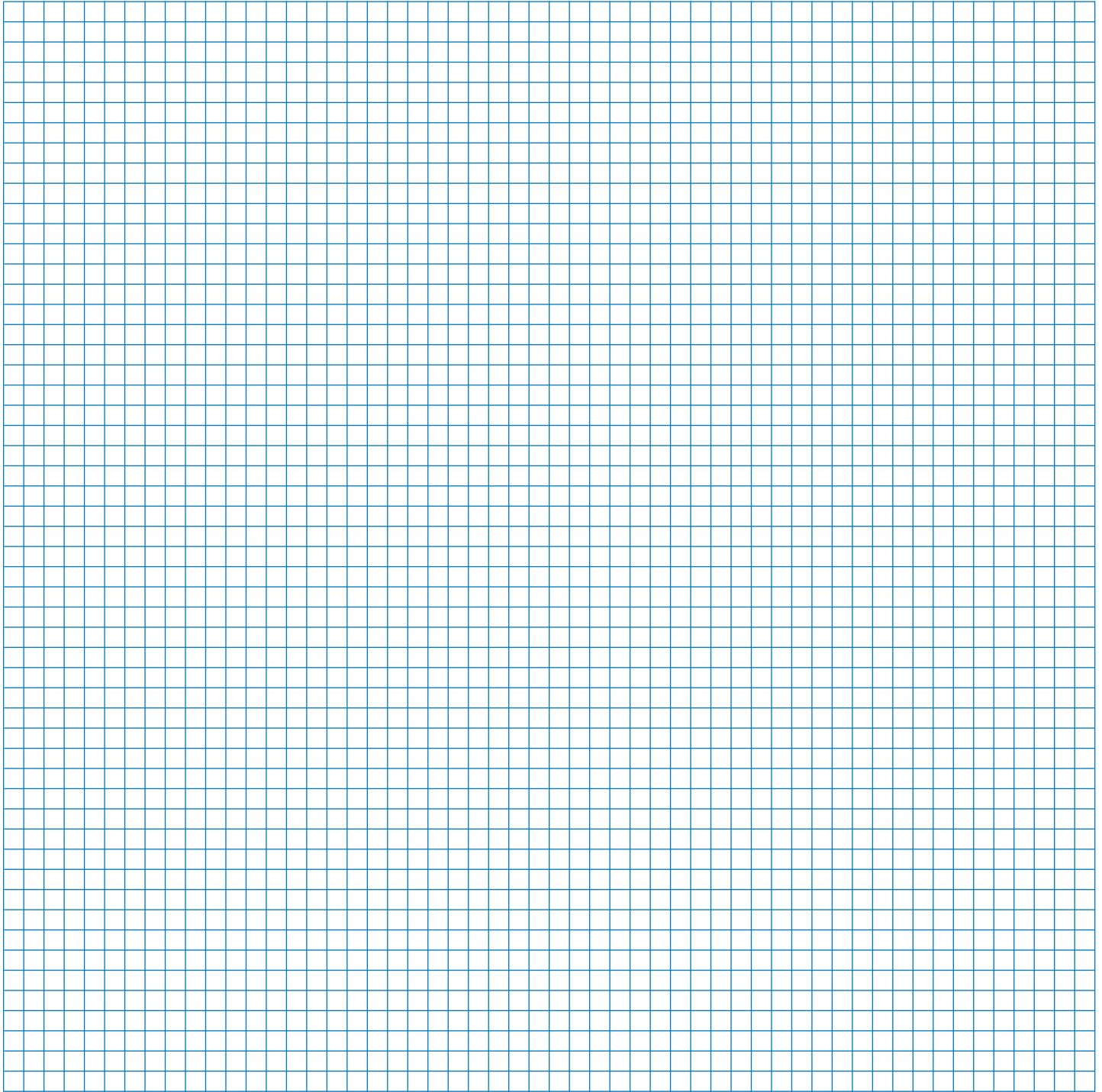
Other special requirements: _____

Comments for PRL4R RFQ specification:

For Retrofit Installation, Eaton recommends the following comments be included in the Tender Documents:

- Installation will be provided by Eaton Electrical Services and Systems personnel
- Contractor/ Owner is responsible to remove existing panel interior and trim assembly, to push existing cables aside, then re-install cables after the new PRL4R retrofit is installed.





Notes:

Eaton
5050 Mainway
Burlington ON
1-800-268-3578
EatonCanada.ca

© 2019 Eaton Corporation
All Rights Reserved
Printed in Canada
Publication No. SA014043EN
October 2019

Eaton is a registered trademark.

All other trademarks are property
of their respective owners.

Follow us on social media to get the
latest product and support information.

