

Product Guide
Aftermarket Assemblies Components

Aftermarket Assemblies Components



EATON

Powering Business Worldwide

Aftermarket Assemblies Components

1.0	Introduction		1
	Product Selection.....	1-1	
2.0	Pow-R-Line 1a Components		2
	Product Description	2-2	
	Box, Interior and Trim Selection - PRL1a.....	2-3	
	Circuit Breaker Selection - PRL1a	2-5	
3.0	Pow-R-Line 2a Components		3
	Product Description	3-7	
	Box, Interior and Trim Selection - PRL2a.....	3-8	
	Circuit Breaker Selection - PRL2a.....	3-9	
	Panelboard Accessories and Modifications.....	3-10	
4.0	Pow-R-Line 1X Components		4
	Product Description.	4-11	
	Box, Interior and Trim Selection - PRL1X.....	4-12	
	Circuit Breaker Selection - PRL1X.....	4-14	
5.0	Pow-R-Line 2X Components		5
	Product Description	5-16	
	Box, Interior and Trim Selection - PRL2X.....	5-17	
	Circuit Breaker Selection - PRL2X.....	5-18	
	Panelboard Accessories and Modifications.....	5-19	
6.0	Replacement Connector Kits		6
	Product Description	6-20	
	Panelboard Connector Kits (1990 to Present)	6-21	
	Pow-R-Line Xpert Aftermarket Kits	6-22	
	Fusible Switch Selection	6-23	
	Fusible Switch Connector Kits	6-24	

Aftermarket Assemblies Components

Aftermarket Assembly Components

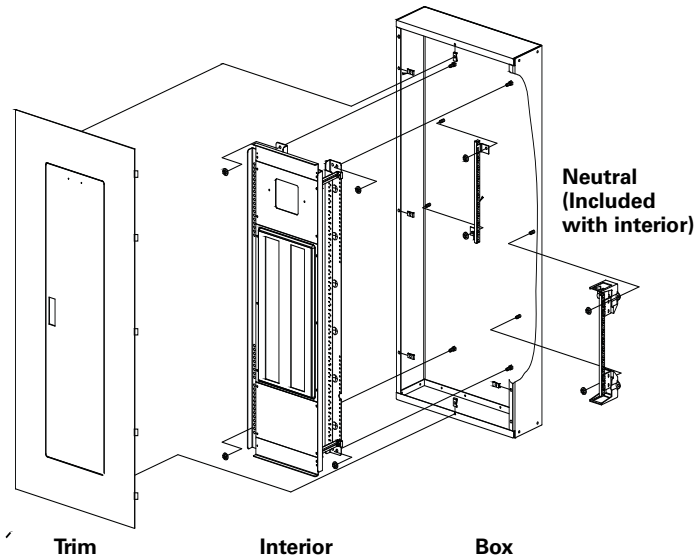
Contents

Description

Page

Product Selection

1-1



Introduction

Aftermarket assemblies components catalogue provide interiors; type 1 and 3R boxes; surface and flush trims; factory-assembled panelboards; main breaker kits; branch breakers; lug kits; service entrance kits; ground kits; and 200% neutral kits. In addition, the distributor stocking program can be used with various Eaton commercial distribution products and is designed to meet CSA C22.2 No. 29 standards for use in data center, industrial, commercial and healthcare facilities.

This section is designed to assist a distributor in selling these goods over the counter or from a branch warehouse facility. When ordering from this product guide, it is required that you order each component separately. Each of the unassembled components are shipped individually as box/ interior/ trim/ breaker. The breakers are supplied to the distributor loose.

1

Pow-R-Line 1a Components



Contents

Description	Page
Product Description	2-2
Box, Interior and Trim Selection - PRL1a.....	2-3
Circuit Breaker Selection - PRL1a.....	2-5

Pow-R-Line 1a Components

Product Description

- 240Vac maximum
- 3-phase 4-wire, 3-phase 3-wire, 1-phase 3-wire, 1-phase 2-wire
- 600 ampere maximum main lugs
- 400 ampere maximum main breaker
- 100 ampere maximum branch breakers (2 Pole 125A)
- Bolt-on branch breakers
- Tin plated aluminum bus or silver plated copper bus

Application Description

- Fully rated
- Interrupting ratings up to 200 kA symmetrical

Standards and Certification

- CSA C22.2 No. 29



Aftermarket Assemblies Components

Pow-R-Line 1a Components

Box, Interior, and Trim Selection

Pow-R-Line 1a, 120/208 Vac, 100-400A

Table 2.1 3 Ph, 4 W Aluminum

Ampere Rating	I.C. Rating	Main Lug Size	Branch Circuits	Stock Order			Factory Order Complete Panelboard
				Box	Interior	Trim S = Surface F = Flush	
100	10 kA	Main Lugs Only #14-1/0	16	EZB2030RC	P1AL4A118I	EZT2030S \ 30F	P1AL4A1 - 18
			24	EZB2030RC	P1AL4A124I	EZT2030S \ 30F	P1AL4A1 - 24
			32	EZB2030RC	P1AL4A130I	EZT2030S \ 30F	P1AL4A1 - 30
			42	EZB2042RC	P1AL4A142I	EZT2042S \ 42F	P1AL4A1 - 42
225	10 kA	Main Lugs Only #6-300 MCM	18	EZB2030RC	P1AL4A218I	EZT2030S \ 30F	P1AL4A2 - 18
			24	EZB2036RC	P1AL4A224I	EZT2036S \ 36F	P1AL4A2 - 24
			30	EZB2036RC	P1AL4A230I	EZT2036S \ 36F	P1AL4A2 - 30
			42	EZB2042RC	P1AL4A242I	EZT2042S \ 42F	P1AL4A2 - 42
			60	EZB2054RC	P1AL4A260I	EZT2054S \ 54F	P1AL4A2 - 60
			72	EZB2060RC	P1AL4A272I	EZT2060S \ 60F	P1AL4A2 - 72
			84	EZB2072RC	P1AL4A284I	EZT2072S \ 72F	P1AL4A2 - 84
400	10 kA	Main Lugs Only 2-#4-500MCM or 2-3/0-750MCM	24	EZB2042RC	P1AL4A424I	EZT2042S \ 42F	P1AL4A4 - 24
			30	EZB2048RC	P1AL4A430I	EZT2048S \ 48F	P1AL4A4 - 30
			42	EZB2054RC	P1AL4A442I	EZT2054S \ 54F	P1AL4A4 - 42
			60	EZB2060RC	P1AL4A460I	EZT2060S \ 60F	P1AL4A4 - 60
			72	EZB2072RC	P1AL4A472I	EZT2072S \ 72F	P1AL4A4 - 72
			84	EZB2072RC	P1AL4A484I	EZT2072S \ 72F	P1AL4A4 - 84

Table 2.2 3 Ph, 4 W Copper

Ampere Rating	I.C. Rating	Main Lug Size	Branch Circuits	Stock Order			Factory Order Complete Panelboard
				Box	Interior	Trim S = Surface F = Flush	
100	10 kA	Main Lugs Only #14-1/0	16	EZB2030RC	P1AL4C118I	EZT2030S \ 30F	P1AL4C1 - 18
			24	EZB2030RC	P1AL4C124I	EZT2030S \ 30F	P1AL4C1 - 24
			32	EZB2030RC	P1AL4C130I	EZT2030S \ 30F	P1AL4C1 - 30
			42	EZB2042RC	P1AL4C142I	EZT2042S \ 42F	P1AL4C1 - 42
225	10 kA	Main Lugs Only #6-300 MCM	18	EZB2030RC	P1AL4C218I	EZT2030S \ 30F	P1AL4C2 - 18
			24	EZB2036RC	P1AL4C224I	EZT2036S \ 36F	P1AL4C2 - 24
			30	EZB2036RC	P1AL4C230I	EZT2036S \ 36F	P1AL4C2 - 30
			42	EZB2042RC	P1AL4C242I	EZT2042S \ 42F	P1AL4C2 - 42
			60	EZB2054RC	P1AL4C260I	EZT2054S \ 54F	P1AL4C2 - 60
			72	EZB2060RC	P1AL4C272I	EZT2060S \ 60F	P1AL4C2 - 72
			84	EZB2072RC	P1AL4C284I	EZT2072S \ 72F	P1AL4C2 - 84
400	10 kA	Main Lugs Only 2-#4-500MCM or 2-3/0-750MCM	24	EZB2042RC	P1AL4C424I	EZT2042S \ 42F	P1AL4C4 - 24
			30	EZB2048RC	P1AL4C430I	EZT2048S \ 48F	P1AL4C4 - 30
			42	EZB2054RC	P1AL4C442I	EZT2054S \ 54F	P1AL4C4 - 42
			60	EZB2060RC	P1AL4C460I	EZT2060S \ 60F	P1AL4C4 - 60
			72	EZB2072RC	P1AL4C472I	EZT2072S \ 72F	P1AL4C4 - 72
			84	EZB2072RC	P1AL4C484I	EZT2072S \ 72F	P1AL4C4 - 84

Box, Interior and Trim Selection

Pow-R-Line 1a, 120/240 Vac, 100-400A

Table 2.3 1 Ph, 3 W Aluminum

Ampere Rating	I.C. Rating	Main Lug Size	Branch Circuits	Stock Order			Factory Order Complete Panelboard
				Box	Interior	Trim S = Surface F = Flush	
100	10 kA	Main Lugs Only #14-1/0	16	EZB2030RC	P1AL1A118I	EZT2030S \ 30F	P1AL1A1 - 18
			24	EZB2030RC	P1AL1A124I	EZT2030S \ 30F	P1AL1A1 - 24
			30	EZB2030RC	P1AL1A130I	EZT2030S \ 30F	P1AL1A1 - 30
225	10 kA	Main Lugs Only #6-300 MCM	18	EZB2030RC	P1AL1A218I	EZT2030S \ 30F	P1AL1A2 - 18
			24	EZB2036RC	P1AL1A224I	EZT2036S \ 36F	P1AL1A2 - 24
			30	EZB2036RC	P1AL1A230I	EZT2036S \ 36F	P1AL1A2 - 30
			42	EZB2042RC	P1AL1A242I	EZT2042S \ 42F	P1AL1A2 - 42
			60	EZB2054RC	P1AL1A260I	EZT2054S \ 54F	P1AL1A2 - 60
			72	EZB2060RC	P1AL1A272I	EZT2060S \ 60F	P1AL1A2 - 72
400	10 kA	Main Lugs Only 2-#4-500MCM or 2-3/0-750MCM	24	EZB2042RC	P1AL1A424I	EZT2042S \ 42F	P1AL1A4 - 24
			30	EZB2048RC	P1AL1A430I	EZT2048S \ 48F	P1AL1A4 - 30
			42	EZB2054RC	P1AL1A442I	EZT2054S \ 54F	P1AL1A4 - 42
			60	EZB2060RC	P1AL1A460I	EZT2060S \ 60F	P1AL1A4 - 60
			72	EZB2072RC	P1AL1A472I	EZT2072S \ 72F	P1AL1A4 - 72

Table 2.4 1 Ph, 3 W Copper

Ampere Rating	I.C. Rating	Main Lug Size	Branch Circuits	Stock Order			Factory Order Complete Panelboard
				Box	Interior	Trim S = Surface F = Flush	
100	10 kA	Main Lugs Only #14-1/0	16	EZB2030RC	P1AL1C118I	EZT2030S \ 30F	P1AL1C1 - 18
			24	EZB2030RC	P1AL1C124I	EZT2030S \ 30F	P1AL1C1 - 24
			30	EZB2030RC	P1AL1C130I	EZT2030S \ 30F	P1AL1C1 - 30
225	10 kA	Main Lugs Only #6-300 MCM	18	EZB2030RC	P1AL1C218I	EZT2030S \ 30F	P1AL1C2 - 18
			24	EZB2036RC	P1AL1C224I	EZT2036S \ 36F	P1AL1C2 - 24
			30	EZB2036RC	P1AL1C230I	EZT2036S \ 36F	P1AL1C2 - 30
			42	EZB2042RC	P1AL1C242I	EZT2042S \ 42F	P1AL1C2 - 42
			60	EZB2054RC	P1AL1C260I	EZT2054S \ 54F	P1AL1C2 - 60
			72	EZB2060RC	P1AL1C272I	EZT2060S \ 60F	P1AL1C2 - 72
400	10 kA	Main Lugs Only 2-#4-500MCM or 2-3/0-750MCM	24	EZB2042RC	P1AL1C424I	EZT2042S \ 42F	P1AL1C4 - 24
			30	EZB2048RC	P1AL1C430I	EZT2048S \ 48F	P1AL1C4 - 30
			42	EZB2054RC	P1AL1C442I	EZT2054S \ 54F	P1AL1C4 - 42
			60	EZB2060RC	P1AL1C460I	EZT2060S \ 60F	P1AL1C4 - 60
			72	EZB2072RC	P1AL1C472I	EZT2072S \ 72F	P1AL1C4 - 72

Branch Circuit Breakers Selection

Pow-R-Line 1a, 240 Vac Maximum:

For use on 1 and 3 phase (2, 3 and 4 wire) systems - 240 Vac maximum

Table 2.5 Standard (1" per pole) breakers - 10kA

I.C Value	Amperes. Rating	1 Pole Catalogue No.	2 Pole Catalogue No. ②	3 Pole Catalogue No.
10kA	10	BAB1010	N / A	N / A
10kA	15	BAB1015 ①	BAB2015	BAB3015H
10kA	20	BAB1020 ①	BAB2020	BAB3020H
10kA	25	BAB1025	BAB2025	BAB3025H
10kA	30	BAB1030	BAB2030	BAB3030H
10kA	35	BAB1035	BAB2035	BAB3035H
10kA	40	BAB1040	BAB2040	BAB3040H
10kA	45	BAB1045	BAB2045	BAB3045H
10kA	50	BAB1050	BAB2050	BAB3050H
10kA	55	BAB1055	BAB2055	BAB3055H
10kA	60	BAB1060	BAB2060	BAB3060H
10kA	70	BAB1070	BAB2070	BAB3070H
10kA	90	N / A	BAB2090	BAB3090H
10kA	100	BAB1100	BAB2100	BAB3100H
10kA	110	N / A	BAB2110	N / A
10kA	125	N / A	BAB2125	N / A

Notes

① Switching duty rated for 120Vac fluorescent light applications.

② Available in straight voltage rated styles with addition "H" at end of catalogue number (Excluding 110A and 125A)

Table 2.6 Duplex (twin singles in 1") breakers - 10kA

I.C Value	Amperes. Rating	1 Pole Catalogue No.	2 Pole Catalogue No.	3 Pole Catalogue No.
10kA	15/15	DNBA1515	N / A	N / A
10kA	20/20	DNBA2020	N / A	N / A
10kA	30/30	DNBA3030	N / A	N / A

Table 2.7 Ground Fault breakers (5mA. people protectors) -10kA

NOTE: GFCBB replaced with QBGF Dec. 1st, 2003

I.C Value	Amperes. Rating	1 Pole Catalogue No.	2 Pole Catalogue No.	3 Pole Catalogue No.
10kA	15	QB1015GF	QBGF2015	N / A
10kA	20	QB1020GF	QBGF2020	N / A
10kA	25	QB1025GF	QBGF2025	
10kA	30	QB1030GF	QBGF2030	N / A
10kA	40	QB1040GF	QBGF2040	N / A
10kA	50	N/A	QBGF2050	N / A

Table 2.8 High I.C. Ground Fault breakers (5mA. people protectors) - 22kA

I.C Value	Amperes. Rating	1 Pole Catalogue No.	2 Pole Catalogue No.	3 Pole Catalogue No.
22kA	15	QBH1015GF	QBHGF2015	N / A
22kA	20	QBH1020GF	QBHGF2020	N / A
22kA	25	QBH1025GF	QBHGF2025	N / A
22kA	30	QBH1030GF	QBHGF2030	N / A

Table 2.9 High I.C. (1" per pole) breakers - 22kA

I.C Value	Amperes. Rating	1 Pole Catalogue No.	2 Pole Catalogue No. ①	3 Pole Catalogue No.
22kA	15	QBHW1015	QBHW2015	QBHW3015H
22kA	20	QBHW1020	QBHW2020	QBHW3020H
22kA	25	QBHW1025	QBHW2025	QBHW3025H
22kA	30	QBHW1030	QBHW2030	QBHW3030H
22kA	35	QBHW1035	QBHW2035	QBHW3035H
22kA	40	QBHW1040	QBHW2040	QBHW3040H
22kA	45	QBHW1045	QBHW2045	QBHW3045H
22kA	50	QBHW1050	QBHW2050	QBHW3050H
22kA	55	QBHW1055	QBHW2055	QBHW3055H
22kA	60	QBHW1060	QBHW2060	QBHW3060H
22kA	70	QBHW1070	QBHW2070	QBHW3070H
22kA	90	N / A	QBHW2090	QBHW3090H
22kA	100	N / A	QBHW2100	QBHW3100H
22kA	110	N / A	QBHW2110	N / A
22kA	125	N / A	QBHW2125	N / A

Notes

① Available in straight voltage rated styles with addition "H" at end of catalogue number (Excluding 110A and 125A)

Table 2.10 Very High I.C. (1" per pole) breakers - 65kA (Replaces old HBA breaker)

I.C Value	Amperes. Rating	1 Pole Catalogue No.	2 Pole Catalogue No.	3 Pole Catalogue No.
42kA	15	HBAW1015	HBAW2015	HBAW3015H
42kA	20	HBAW1020	HBAW2020	HBAW3020H
42kA	25	HBAW1025	HBAW2025	N / A
42kA	30	HBAW1030	HBAW2030	N / A

Table 2.11 High Intensity Discharge (HID) rated breakers - 10kA

I.C Value	Amperes. Rating	1 Pole Catalogue No.	2 Pole Catalogue No.	3 Pole Catalogue No.
10kA	15	BAB1015D	N / A	N / A
10kA	20	BAB1020D	N / A	N / A

Table 2.12 Accessories

Catalogue No.	Description
SK106	Mounting Screw for PRL1a/2a Branch Breakers (PKG 100)
BRDL1-10	Padlock Device -QBGF 1/2 pole (pkg of 10)
QL23NPL	Heavy Duty Lockdog - 2 / 3 pole BAB / QBHW / HBA
QL1NPL	Heavy Duty Lockdog - 1 pole BAB / QBHW / HBA
QL123PL	Padlock Device - 1, 2, 3, pole BAB / QBHW / HBA
QL1PL	Padlock Device - 1 pole BAB / QBHW / HBA (pkg of 10)
PL12NAK42	42 cct neutral adder kit - use with all DNBA breakers (M43)

Notes

Use the neutral adder kit to ensure enough neutral connection points when using more than 50% fill of DNBA breakers.

Specialty Bolt-on Breaker Selection

Table 2.13 30mA Ground Fault Equipment Protectors 120/240Vac max

I.C Value	Amperes. Rating	1 Pole Catalogue No.	2 Pole Catalogue No.	3 Pole Catalogue No.
10kA	15	QB1015EP	QBGFEP2015	N / A
10kA	20	QB1020EP	QBGFEP2020	N / A
10kA	25	QB1025EP	QBGFEP2025	N / A
10kA	30	QB1030EP	QBGFEP2030	N / A
10kA	40	QB1040EP	QBGFEP2040	N / A
10kA	50	N / A	QBGFEP2050	N / A

Table 2.14 30mA Ground Fault Equipment Protectors 120/240Vac max - 22KA

I.C Value	Amperes. Rating	1 Pole Catalogue No.	2 Pole Catalogue No.	3 Pole Catalogue No.
22kA	15	QBH1015EP	QBHGFE2015	N / A
22kA	20	QBH1020EP	QBHGFE2020	N / A
22kA	25	QBH1025EP	QBHGFE2020	N / A
22kA	30	QBH1030EP	QBHGFE2030	N / A

Table 2.15 30mA Ground Fault Equipment Protectors 120/240Vac max. - with Alarm Switch (W1), Auxiliary Switch (W2)

I.C Value	Amperes. Rating	1 Pole Catalogue No.	2 Pole Catalogue No.	3 Pole Catalogue No.
10kA	15	QBGFE1015W1 QBGFE1015W2	QBGFE2015W1	N / A
10kA	20	QBGFE1020W1 QBGFE1020W2	QBGFE2020W1	N / A
10kA	25	QBGFE1025W1 QBGFE1025W2	QBGFE2025W1	N / A
10kA	30	QBGFE1030W1 QBGFE1030W2	QBGFE2030W1	N / A
10kA	40	N / A	QBGFE2040W1	N / A
10kA	50	N / A	QBGFE2050W1	N / A

Table 2.16 BAB with Shunt Trip 120/240Vac Max. (Shunt Trip Rating 120, 208, 240 V)

I.C Value	Amperes. Rating	1 Pole Catalogue No.	2 Pole Catalogue No.	3 Pole Catalogue No.
10kA	15	BAB1015S	BAB2015S	N / A
10kA	20	BAB1020S	BAB2020S	N / A
10kA	30	BAB1030S	BAB2030S	N / A
10kA	40	BAB1040S	BAB2040S	N / A
10kA	50	BAB1050S	BAB2050S	N / A
10kA	60	BAB1060S	BAB2060S	N / A
10kA	70	BAB1070S	BAB2070S	N / A
10kA	80	N / A	BAB2080S	N / A
10kA	90	N / A	BAB2090S	N / A
10kA	100	N / A	BAB2100S	N / A
10kA	125	N / A	BAB2125S	N / A

Table 2.17 Arc Fault Breaker 240Vac Max.

Bolt-On Parallel Sensing

I.C Value	Amperes. Rating	1 Pole Catalogue No.	2 Pole Catalogue No.	3 Pole Catalogue No.
10kA	15	QBAF1015	N/A	N / A
10kA	20	QBAF1020	N/A	N / A

Bolt-On Parallel Sensing High IC

I.C Value	Amperes. Rating	1 Pole Catalogue No.	2 Pole Catalogue No.	3 Pole Catalogue No.
22kA	15	QBHAF1015	N / A	N / A
22kA	20	QBHAF1020	N / A	N / A

Bolt-On Series and Parallel Sensing

I.C Value	Amperes. Rating	1 Pole Catalogue No.	2 Pole Catalogue No.	3 Pole Catalogue No.
10kA	15	QB1015CAF	N / A	N / A
10kA	20	QB1020CAF	N / A	N / A

Series sensing and parallel (Not AFGF)

I.C Value	Amperes. Rating	1 Pole Catalogue No.	2 Pole Catalogue No.	3 Pole Catalogue No.
22kA	15	QBH1015CAF	N / A	N / A
22kA	20	QBH1020CAF	N / A	N / A

Bolt-On Independent Trip

I.C Value	Amperes. Rating	1 Pole Catalogue No.	2 Pole Catalogue No.	3 Pole Catalogue No.
10kA	15	N / A	QBAF2015IT	N / A
10kA	20	N / A	QBAF2020IT	N / A

Notes

QBAF-IT - 2 single pole 120V breakers coupled together. Trips independently on thermal or mag but both poles will trip on arc fault.

Table 2.18 Remote Operated Breakers

Bolt-On "BABRSP"

REMOTELY OPERATED BREAKER WITH STATUS CONTACT

I.C Value	Amperes. Rating	1 Pole Catalogue No.	2 Pole Catalogue No.	3 Pole Catalogue No.
10kA	15	BABRSP1015	BABRSP2015	N / A
10kA	20	BABRSP1020	BABRSP2020	N / A
10kA	25	BABRSP1025	BABRSP2025	N / A
10kA	30	BABRSP1030	BABRSP2030	N / A

Table 2.19 Fire Alarm Circuit Breakers

I.C Value	Amperes. Rating	1 Pole Catalogue No.	2 Pole Catalogue No.	3 Pole Catalogue No.
10kA	15	BABF1015	N/A	N / A
10kA	20	BABF1020	N/A	N / A

Aftermarket Assemblies Components

Pow-R-Line 2a Components

Pow-R-Line 2a Components



Contents

Description	Page
Product Description	3-7
Box, Interior and Trim Selection - PRL2a.....	3-8
Circuit Breaker Selection - PRL2a.....	3-9
Panelboard Accessories and Modifications	3-10

Pow-R-Line 2a Components

Product Description

- 600Y/347Vac
- 480Y/277Vac
- 125Vdc
- 3-phase 4-wire,
1-phase 3-wire,
1-phase 2-wire,
3-phase 3-wire
- 600 ampere maximum main lugs
- 400 ampere maximum main breaker
- 100 ampere maximum branch breakers
- Bolt-on branch breakers
- Tin plated aluminum bus or silver plated copper bus

Application Description

- Fully rated
- Interrupting ratings up to 200 kA symmetrical

Standards and Certification

- CSA C22.2 No. 29



Box, Interior and Trim Selection

Pow-R-Line 2a, 347/600Vac, 100-400A

Table 3.1 3 Ph, 4 W Aluminum

Ampere Rating	I.C. Rating	Main Lug Size	Branch Circuits	Stock Order			Factory Order Complete Panelboard
				Box	Interior/AL	Trim S = Surface F = Flush	
100	10 kA	Main Lugs Only #14-1/0	18	EZB2030RC	P2AL4A118I	EZT2030S \ 30F	P2AL4A1 - 18
			24	EZB2030RC	P2AL4A124I	EZT2030S \ 30F	P2AL4A1 - 24
			30	EZB2030RC	P2AL4A130I	EZT2030S \ 30F	P2AL4A1 - 30
225	10 kA	Main Lugs Only #6-300 MCM	24	EZB2036RC	P2AL4A224I	EZT2036S \ 36F	P2AL4A2 - 24
			30	EZB2036RC	P2AL4A230I	EZT2036S \ 36F	P2AL4A2 - 30
			42	EZB2042RC	P2AL4A242I	EZT2042S \ 42F	P2AL4A2 - 42
			60	EZB2054RC	P2AL4A260I	EZT2054S \ 54F	P2AL4A2 - 60
			72	EZB2060RC	P2AL4A272I	EZT2060S \ 60F	P2AL4A2 - 72
400	10 kA	Main Lugs Only 2-#4-500MCM or 2-3/0-750MCM	24	EZB2042RC	P2AL4A424I	EZT2042S \ 42F	P2AL4A4 - 24
			30	EZB2048RC	P2AL4A430I	EZT2048S \ 48F	P2AL4A4 - 30
			42	EZB2054RC	P2AL4A442I	EZT2054S \ 54F	P2AL4A4 - 42
			60	EZB2060RC	P2AL4A460I	EZT2060S \ 60F	P2AL4A4 - 60
			72	EZB2072RC	P2AL4A472I	EZT2072S \ 72F	P2AL4A4 - 72

Table 3.2 3 Ph, 4 W Copper

Ampere Rating	I.C. Rating	Main Lug Size	Branch Circuits	Stock Order			Factory Order Complete Panelboard
				Box	Interior/CU	Trim S = Surface F = Flush	
100	10 kA	Main Lugs Only #14-1/0	18	EZB2030RC	P2AL4C118I	EZT2030S \ 30F	P2AL4C1 - 18
			24	EZB2030RC	P2AL4C124I	EZT2030S \ 30F	P2AL4C1 - 24
			30	EZB2030RC	P2AL4C130I	EZT2030S \ 30F	P2AL4C1 - 30
225	10 kA	Main Lugs Only #6-300 MCM	24	EZB2036RC	P2AL4C224I	EZT2036S \ 36F	P2AL4C2 - 24
			30	EZB2036RC	P2AL4C230I	EZT2036S \ 36F	P2AL4C2 - 30
			42	EZB2042RC	P2AL4C242I	EZT2042S \ 42F	P2AL4C2 - 42
			60	EZB2054RC	P2AL4C260I	EZT2054S \ 54F	P2AL4C2 - 60
			72	EZB2060RC	P2AL4C272I	EZT2060S \ 60F	P2AL4C2 - 72
400	10 kA	Main Lugs Only 2-#4-500MCM or 2-3/0-750MCM	24	EZB2042RC	P2AL4C424I	EZT2042S \ 42F	P2AL4C4 - 24
			30	EZB2048RC	P2AL4C430I	EZT2048S \ 48F	P2AL4C4 - 30
			42	EZB2054RC	P2AL4C442I	EZT2054S \ 54F	P2AL4C4 - 42
			60	EZB2060RC	P2AL4C460I	EZT2060S \ 60F	P2AL4C4 - 60
			72	EZB2072RC	P2AL4C472I	EZT2072S \ 72F	P2AL4C4 - 72

Pow-R-Line 2a Breaker and Accessories Selection

Table 3.3 10kA @ 600Y/347Vac

For use only on 3-phase 4 wire circuits - 347/600VAC maximum, wye grounded system only

Ampere Rating	1 Pole Catalogue #	2 Pole Catalogue #	3 Pole Catalogue #
15A	GBH1015	GBH2015	GBH3015
20A	GBH1020	GBH2020	GBH3020
25A	GBH1025	GBH2025	GBH3025
30A	GBH1030	GBH2030	GBH3030
35A	GBH1035	GBH2035	GBH3035
40A	GBH1040	GBH2040	GBH3040
45A	GBH1045	GBH2045	GBH3045
50A	GBH1050	GBH2050	GBH3050
60A	GBH1060	GBH2060	GBH3060
70A	GBH1070	GBH2070	GBH3070
80A	GBH1080	GBH2080	GBH3080
90A	GBH1090	GBH2090	GBH3090
100A	GBH1100	GBH2100	GBH3100

Table 3.4 14kA @ 277/480Vac

For use on 480Y/277Vac wye grounded system only

Ampere Rating	1 Pole Catalogue #	2 Pole Catalogue #	3 Pole Catalogue #
15A	GHB1015	GHB2015	GHB3015
20A	GHB1020	GHB2020	GHB3020
25A	GHB1025	GHB2025	GHB3025
30A	GHB1030	GHB2030	GHB3030
35A	GHB1035	GHB2035	GHB3035
40A	GHB1040	GHB2040	GHB3040
45A	GHB1045	GHB2045	GHB3045
50A	GHB1050	GHB2050	GHB3050
60A	GHB1060	GHB2060	GHB3060
70A	GHB1070	GHB2070	GHB3070
80A	GHB1080	GHB2080	GHB3080
90A	GHB1090	GHB2090	GHB3090
100A	GHB1100	GHB2100	GHB3100

Table 3.5 Ground Fault Breaker 480Y/277Vac Max. Bolt-On GHB

I.C Value	Amperes. Rating	1 Pole Catalogue No.	2 Pole Catalogue No.	3 Pole Catalogue No.
14kA	15	GHBGFEP1015	N / A	N / A
14kA	20	GHBGFEP1020	N / A	N / A

Table 3.6 Accessories for GBH Circuit Breakers

Catalogue #	Description
GBNP123P	Lockdog/Handle Block
GPLK	Padlock device (pkg of 10)
SK106	Mounting Screw for PRL1a/2a Branch Breakers (PKG 100)

PRL1a and 2a Enclosure Dimensions and Accessories

Table 3.7 Dimensions - Inches (mm)

Box Catalogue Number	Height	Width	Depth
EZB2030RC	30 (762)	20 (508)	5-3/4 (146)
EZB2036RC	36 (914)	20 (508)	5-3/4 (146)
EZB2042RC	42 (1067)	20 (508)	5-3/4 (146)
EZB2048RC	48 (1219)	20 (508)	5-3/4 (146)
EZB2054RC	54 (1372)	20 (508)	5-3/4 (146)
EZB2060RC	60 (1524)	20 (508)	5-3/4 (146)
EZB2072RC	72 (1828)	20 (508)	5-3/4 (146)

Dimensions are inside, for outside dimensions add 1/4" (6.4mm)

Table 3.8 Panelboard Enclosure Accessories

Catalogue No.	Description
PL123DRLK	PL1a/2a door lock Pre EZ Trim (5155C81G01) c/w key
EZLOCK	Preceeding EZ Trim Lock on Door Frame c/w Key (1A85194G01)
EZLOCKR3060	EZ Trim Lock on door 30-60 CCT c/w Key
EZLOCKR7290	EZ Trim Lock on door 72-90 CCT c/w Key
EZLOCKR3060N	EZ Trim Lock on door 30-60 CCT w/o key
EZLOCKR7290N	EZ Trim Lock on door 72-90 CCT w/o key
WEM2	Key for Door/Trim Locks
CHROMELOCK	Lock c/w WEM3 key for old style panels
EZBSPKIT	EZ Box Sprinklerproof Kit (20"W Box) - Surface Mount Only
EZBSPKIT28	EZ Box Sprinklerproof Kit (28"W Box) - Surface Mount Only
BRFP	BAB/GBH Filler
PL3AFILL	(12) x 4178B06H01 - PRL3a Filler F-Frame
PL4FILL	PRL4 (4)1P, (4)2P, (4) 3P FILLER COVERS - METAL F-Frame
PL12GK	PRL1a/2a Ground Assy Kit (new 42cct bar for EZ)
PL12IGK24	Insulated ground kit - 24 circuit
PL12IGK42	Insulated ground kit - 42 circuit
PL12N2X-42	200% rated neutral - max 400A
PL12NAK24	24cct neutral bar-only adder kit (use with DNBA bkrs)
PL12NAK42	42cct neutral bar-only adder kit (use with DNBA bkrs)
PLA12SF100	PRL1a/2a 100A subfeed lug kit - (2) 1/0-#14 per phase
PLA12SF225	PRL1a/2a 225A subfeed lug kit - (2) #6 - 300 MCM per phase
1A85195H01	EZ Trim anti-lift slide bracket
BXJNRFLUSH	Double tub box joiner (for flush mounted panels)
DIRCARD42	(50) cct 1-42 cct directory card
DIRCARD84	(50) cct 43-84 cct directory card
DIRSLEEVE	(25) x Plastic card holder
PRL12ANUM42	PRL1a/2a Number Strip 1-42 (5)
PRL12ANUM84	PRL1a/2a Number Strip 43-84 (5)
PRL12ANUM126	PRL1a/2a Number Strip 85-126 (5)
PRL3ANUM42	PRL3a Number Strip 1-42 (5)
PRL3ANUM84	PRL3a Number Strip 43-84 (5)
PRL3ANUM126	PRL3a Number Strip 85-126 (5)
PL12NEUT24	PRL1a/2a Neutral Assembly SN/CU 42CCT 225A CU/AL
PL12NEUT28	PRL1a/2a Neutral Assembly SN/CU 225A 84CCT CU/AL
PL12NEUT28F	PRL1a/2a Neutral Assembly SN/CU 225A 84CCT Throughfeed CU/AL
PL12NEUT44	PRL1a/2a Neutral Assembly SN/CU 42CCT 400A/600A CU/AL
PL12NEUT44F	PRL1a/2a Neutral Assembly SN/CU 42CCT 400A/600A Throughfeed CU/AL
PL12NEUT48	PRL1a/2a Neutral Assembly SN/CU 84 CCT MECH STD 400A/600A CU/AL
PL12NEUT48F	PRL1a/2a Neutral Assembly SN/CU 84CCT 400A/600A Throughfeed CU/AL

Aftermarket Assemblies Components

Pow-R-Line 2X Components

Pow-R-Line 1X Components



Contents

Description	Page
Product Description	4-11
Box, Interior and Trim Selection - PRL1X	4-12
Circuit Breaker Selection - PRL1X	4-14

Pow-R-Line 1X Components

Product Description

- 240Vac maximum
- 3-phase 4-wire, 3-phase 3-wire, 1-phase 3-wire, 1-phase 2-wire
- 600 ampere maximum main lugs
- 600 ampere maximum main breaker
- 100 ampere maximum branch breakers (2 Pole 125A)
- Bolt-on branch breakers
- Tin plated aluminum bus or silver plated copper bus

Application Description

- Fully rated
- Interrupting ratings up to 200 kA symmetrical

Standards and Certification

- CSA C22.2 No. 29



Box, Interior, and Trim Selection

Pow-R-Line 1X, 120/208 Vac, 100-400A

Table 4.1 3 Ph, 4 W Aluminum

Ampere Rating	I.C. Rating	Main Lug Size	Branch Circuits	Stock Order			Factory Order Complete Panelboard
				Box	Interior	Trim S = Surface F = Flush	
100	10 kA	Main Lugs Only #14-1/0	16	EZB2030RC	P1XL4A118I	EZT2030S \ 30F	P1XL4A1 - 18
			24	EZB2030RC	P1XL4A124I	EZT2030S \ 30F	P1XL4A1 - 24
			32	EZB2030RC	P1XL4A130I	EZT2030S \ 30F	P1XL4A1 - 30
			42	EZB2042RC	P1XL4A142I	EZT2042S \ 42F	P1XL4A1 - 42
225	10 kA	Main Lugs Only #6-300 MCM	18	EZB2030RC	P1XL4A218I	EZT2030S \ 30F	P1XL4A2 - 18
			24	EZB2036RC	P1XL4A224I	EZT2036S \ 36F	P1XL4A2 - 24
			30	EZB2036RC	P1XL4A230I	EZT2036S \ 36F	P1XL4A2 - 30
			42	EZB2042RC	P1XL4A242I	EZT2042S \ 42F	P1XL4A2 - 42
			60	EZB2054RC	P1XL4A260I	EZT2054S \ 54F	P1XL4A2 - 60
			72	EZB2060RC	P1XL4A272I	EZT2060S \ 60F	P1XL4A2 - 72
			84	EZB2072RC	P1XL4A284I	EZT2072S \ 72F	P1XL4A2 - 84
400	10 kA	Main Lugs Only 2-#4-500MCM or 2-3/0-750MCM	24	EZB2042RC	P1XL4A424I	EZT2042S \ 42F	P1XL4A4 - 24
			30	EZB2048RC	P1XL4A430I	EZT2048S \ 48F	P1XL4A4 - 30
			42	EZB2054RC	P1XL4A442I	EZT2054S \ 54F	P1XL4A4 - 42
			60	EZB2060RC	P1XL4A460I	EZT2060S \ 60F	P1XL4A4 - 60
			72	EZB2072RC	P1XL4A472I	EZT2072S \ 72F	P1XL4A4 - 72
			84	EZB2072RC	P1XL4A484I	EZT2072S \ 72F	P1XL4A4 - 84

Table 4.2 3 Ph, 4 W Copper

Ampere Rating	I.C. Rating	Main Lug Size	Branch Circuits	Stock Order			Factory Order Complete Panelboard
				Box	Interior	Trim S = Surface F = Flush	
100	10 kA	Main Lugs Only #14-1/0	16	EZB2030RC	P1XL4C118I	EZT2030S \ 30F	P1XL4C1 - 18
			24	EZB2030RC	P1XL4C124I	EZT2030S \ 30F	P1XL4C1 - 24
			32	EZB2030RC	P1XL4C130I	EZT2030S \ 30F	P1XL4C1 - 30
			42	EZB2042RC	P1XL4C142I	EZT2042S \ 42F	P1XL4C1 - 42
225	10 kA	Main Lugs Only #6-300 MCM	18	EZB2030RC	P1XL4C218I	EZT2030S \ 30F	P1XL4C2 - 18
			24	EZB2036RC	P1XL4C224I	EZT2036S \ 36F	P1XL4C2 - 24
			30	EZB2036RC	P1XL4C230I	EZT2036S \ 36F	P1XL4C2 - 30
			42	EZB2042RC	P1XL4C242I	EZT2042S \ 42F	P1XL4C2 - 42
			60	EZB2054RC	P1XL4C260I	EZT2054S \ 54F	P1XL4C2 - 60
			72	EZB2060RC	P1XL4C272I	EZT2060S \ 60F	P1XL4C2 - 72
400	10 kA	Main Lugs Only 2-#4-500MCM or 2-3/0-750MCM	84	EZB2072RC	P1XL4C284I	EZT2072S \ 72F	P1XL4C2 - 84
			24	EZB2042RC	P1XL4C424I	EZT2042S \ 42F	P1XL4C4 - 24
			30	EZB2048RC	P1XL4C430I	EZT2048S \ 48F	P1XL4C4 - 30
			42	EZB2054RC	P1XL4C442I	EZT2054S \ 54F	P1XL4C4 - 42
			60	EZB2060RC	P1XL4C460I	EZT2060S \ 60F	P1XL4C4 - 60
			72	EZB2072RC	P1XL4C472I	EZT2072S \ 72F	P1XL4C4 - 72
84	EZB2072RC	P1XL4C484I	EZT2072S \ 72F	P1XL4C4 - 84			

Aftermarket Assemblies Components

Pow-R-Line 1X Components

Box, Interior and Trim Selection

Pow-R-Line 1X, 120/240 Vac, 100-400A

Table 4.3 1 Ph, 3 W Aluminum

Ampere Rating	I.C. Rating	Main Lug Size	Branch Circuits	Stock Order			Factory Order Complete Panelboard
				Box	Interior	Trim S = Surface F = Flush	
100	10 kA	Main Lugs Only #1-1/0	16	EZB2030RC	P1XL1A118I	EZT2030S \ 30F	P1XL1A1 - 18
			24	EZB2030RC	P1XL1A124I	EZT2030S \ 30F	P1XL1A1 - 24
			30	EZB2030RC	P1XL1A130I	EZT2030S \ 30F	P1XL1A1 - 30
225	10 kA	Main Lugs Only #6-300 MCM	18	EZB2030RC	P1XL1A218I	EZT2030S \ 30F	P1XL1A2 - 18
			24	EZB2036RC	P1AL1A224I	EZT2036S \ 36F	P1XL1A2 - 24
			30	EZB2036RC	P1XL1A230I	EZT2036S \ 36F	P1XL1A2 - 30
			42	EZB2042RC	P1XL1A242I	EZT2042S \ 42F	P1XL1A2 - 42
			60	EZB2054RC	P1XL1A260I	EZT2054S \ 54F	P1XL1A2 - 60
400	10 kA	Main Lugs Only 2-#4-500MCM or 2-3/0-750MCM	24	EZB2042RC	P1XL1A424I	EZT2042S \ 42F	P1XL1A4 - 24
			30	EZB2048RC	P1XL1A430I	EZT2048S \ 48F	P1XL1A4 - 30
			42	EZB2054RC	P1XL1A442I	EZT2054S \ 54F	P1XL1A4 - 42
			60	EZB2060RC	P1XL1A460I	EZT2060S \ 60F	P1XL1A4 - 60
			72	EZB2072RC	P1XL1A472I	EZT2072S \ 72F	P1XL1A4 - 72

Table 4.4 1 Ph, 3 W Copper

Ampere Rating	I.C. Rating	Main Lug Size	Branch Circuits	Stock Order			Factory Order Complete Panelboard
				Box	Interior	Trim S = Surface F = Flush	
100	10 kA	Main Lugs Only # 14-1/0	16	EZB2030RC	P1XL1C118I	EZT2030S \ 30F	P1XL1C1 - 18
			24	EZB2030RC	P1XL1C124I	EZT2030S \ 30F	P1XL1C1 - 24
			30	EZB2030RC	P1XL1C130I	EZT2030S \ 30F	P1XL1C1 - 30
225	10 kA	Main Lugs Only #6-300 MCM	18	EZB2030RC	P1XL1C218I	EZT2030S \ 30F	P1XL1C2 - 18
			24	EZB2036RC	P1XL1C224I	EZT2036S \ 36F	P1XL1C2 - 24
			30	EZB2036RC	P1XL1C230I	EZT2036S \ 36F	P1XL1C2 - 30
			42	EZB2042RC	P1XL1C242I	EZT2042S \ 42F	P1XL1C2 - 42
			60	EZB2054RC	P1XL1C260I	EZT2054S \ 54F	P1XL1C2 - 60
400	10 kA	Main Lugs Only 2-#4-500MCM or 2-3/0-750MCM	24	EZB2042RC	P1XL1C424I	EZT2042S \ 42F	P1XL1C4 - 24
			30	EZB2048RC	P1XL1C430I	EZT2048S \ 48F	P1XL1C4 - 30
			42	EZB2054RC	P1XL1C442I	EZT2054S \ 54F	P1XL1C4 - 42
			60	EZB2060RC	P1XL1C460I	EZT2060S \ 60F	P1XL1C4 - 60
			72	EZB2072RC	P1XL1C472I	EZT2072S \ 72F	P1XL1C4 - 72

Branch Circuit Breakers Selection

Pow-R-Line 1X, 240 Vac Maximum:

For use on 1 and 3 phase (2, 3 and 4 wire) systems - 240 Vac maximum

Table 4.5 Standard (1" per pole) breakers - 10kA

I.C Value	Amperes. Rating	1 Pole Catalogue No.	2 Pole Catalogue No.②	3 Pole Catalogue No.
10kA	10	BAB1010	N / A	N / A
10kA	15	BAB1015 ①	BAB2015	BAB3015H
10kA	20	BAB1020 ①	BAB2020	BAB3020H
10kA	25	BAB1025	BAB2025	BAB3025H
10kA	30	BAB1030	BAB2030	BAB3030H
10k	35	BAB1035	BAB2035	BAB3035H
10kA	40	BAB1040	BAB2040	BAB3040H
10kA	45	BAB1045	BAB2045	BAB3045H
10kA	50	BAB1050	BAB2050	BAB3050H
10kA	55	BAB1055	BAB2055	BAB3055H
10kA	60	BAB1060	BAB2060	BAB3060H
10kA	70	BAB1070	BAB2070	BAB3070H
10kA	90	N / A	BAB2090	BAB3090H
10kA	100	BAB1100	BAB2100	BAB3100H
10kA	110	N/A	BAB2110	N/A
10kA	125	N / A	BAB2125	N / A

Notes

- ① Switching duty rated for 120Vac fluorescent light applications
- ② Available in straight voltage rated styles with addition "H" at end of catalogue number (Excluding 110A and 125A).

Table 4.6 Duplex (twin singles in 1") breakers - 10kA

I.C Value	Amperes. Rating	1 Pole Catalogue No.	2 Pole Catalogue No.	3 Pole Catalogue No.
10kA	15/15	DNBA1515	N / A	N / A
10kA	20/20	DNBA2020	N / A	N / A
10kA	30/30	DNBA3030	N / A	N / A

Table 4.7 Ground Fault breakers (5mA. people protectors) - 10kA

NOTE: GFCBB replaced with QBGF Dec. 1st, 2003

I.C Value	Amperes. Rating	1 Pole Catalogue No.	2 Pole Catalogue No.	3 Pole Catalogue No.
10kA	15	QB1015GF	QBGF2015	N / A
10kA	20	QB1020GF	QBGF2020	N / A
10kA	25	QB1025GF	QBGF2025	N/A
10kA	30	QB1030GF	QBGF2030	N / A
10kA	40	QB1040GF	QBGF2040	N / A
10kA	50	N/A	QBGF2050	N / A

Table 4.8 High I.C. Ground Fault breakers (5mA. people protectors) - 22kA

I.C Value	Amperes. Rating	1 Pole Catalogue No.	2 Pole Catalogue No.	3 Pole Cat / Style
22kA	15	QBH1015GF	QBHGF2015	N / A
22kA	20	QBH1020GF	QBHGF2020	N / A
22kA	25	QBH1025GF	QBHGF2025	N/A
22kA	30	QBH1030GF	QBHGF2030	N / A

Table 4.9 High I.C. (1" per pole) breakers - 22kA

I.C Value	Amperes. Rating	1 Pole Catalogue No.	2 Pole Catalogue No. ①	3 Pole Catalogue No.
22kA	15	QBHW1015	QBHW2015	QBHW3015H
22kA	20	QBHW1020	QBHW2020	QBHW3020H
22kA	25	QBHW1025	QBHW2025	QBHW3025H
22kA	30	QBHW1030	QBHW2030	QBHW3030H
22kA	35	QBHW1035	QBHW2035	QBHW3035H
22kA	40	QBHW1040	QBHW2040	QBHW3040H
22kA	45	QBHW1045	QBHW2045	QBHW3045H
22kA	50	QBHW1050	QBHW2050	QBHW3050H
22kA	55	QBHW1055	QBHW2055	QBHW3055H
22kA	60	QBHW1060	QBHW2060	QBHW3060H
22kA	70	QBHW1070	QBHW2070	QBHW3070H
22kA	90	N / A	QBHW2090	QBHW3090H
22kA	100	N / A	QBHW2100	QBHW3100H
22kA	110	N/A	QBHW2110	N/A
22kA	125	N / A	QBHW2125	N / A

Notes

- ① Available in straight voltage rated styles with addition "H" at end of catalogue number (Excluding 110A and 125A)

Table 4.10 Very High I.C. (1" per pole) breakers - 65kA (Replaces old HBA breaker)

I.C Value	Amperes. Rating	1 Pole Catalogue No.	2 Pole Catalogue No.	3 Pole Catalogue No.
42kA	15	HBAW1015	HBAW2015	HBAW3015H
42kA	20	HBAW1020	HBAW2020	HBAW3020H
42kA	25	HBAW1025	HBAW2025	N/A
42kA	30	HBAW1030	HBAW2030	N / A

Table 4.11 High Intensity Discharge (HID) rated breakers - 10kA

I.C Value	Amperes. Rating	1 Pole Catalogue No.	2 Pole Catalogue No.	3 Pole Catalogue No.
10kA	15	BAB1015D	N / A	N / A
10kA	20	BAB1020D	N / A	N / A

Table 4.12 Accessories

Catalogue No.	Description
SK106	Mounting Screw for PRL1X/2X Branch Breakers (PKG 100)
BRDL1-10	Padlock Device -QBGF 1/2 pole (pkg of 10)
QL23NPL	Heavy Duty Lockdog - 2 / 3 pole BAB / QBHW / HBA
QL1NPL	Heavy Duty Lockdog - 1 pole BAB / QBHW / HBA
QL123PL	Padlock Device - 1, 2, 3, pole BAB / QBHW / HBA
QL1PL	Padlock Device - 1 pole BAB / QBHW / HBA (pkg of 10)
PL12NAK42	42 cct neutral adder kit - use with all DNBA breakers (M43)

Notes

- Use the neutral adder kit to ensure enough neutral connection points when using more than 50% fill of DNBA breakers.

Specialty Bolt-on Breaker Selection

Table 4.13 30mA Ground Fault Equipment Protectors 120/240Vac max

I.C Value	Amperes. Rating	1 Pole Catalogue No.	2 Pole Catalogue No.	3 Pole Catalogue No.
10kA	15	QB1015EP	QBGFEP2015	N / A
10kA	20	QB1020EP	QBGFEP2020	N / A
10kA	25	QB1025EP	QBGFEP2025	N / A
10kA	30	QB1030EP	QBGFEP2030	N / A
10kA	40	QB1040EP	QBGFEP2040	N / A
10kA	50	N / A	QBGFEP2050	N / A

Table 4.14 30mA Ground Fault Equipment Protectors 120/240Vac max - 22KA

I.C Value	Amperes. Rating	1 Pole Catalogue No.	2 Pole Catalogue No.	3 Pole Catalogue No.
22kA	15	QBH1015EP	QBHGFE2015	N / A
22kA	20	QBH1020EP	QBHGFE2020	N / A
22kA	25	QBH1025EP	QBHGFE2025	N/A
22kA	30	QBH1030EP	QBHGFE2030	N / A

Table 4.15 30mA Ground Fault Equipment Protectors 120/240Vac max. - with Alarm Switch (W1), Auxiliary Switch (W2)

I.C Value	Amperes. Rating	1 Pole Catalogue No.	2 Pole Catalogue No.	3 Pole Catalogue No.
10kA	15	QBGFE1015W1 QBGFE1015W2	QBGFE2015W1	N / A
10kA	20	QBGFE1020W1 QBGFE1020W2	QBGFE2020W1	N / A
10kA	25	QBGFE1025W1 QBGFE1025W2	QBGFE2025W1	N / A
10kA	30	QBGFE1030W1 QBGFE1030W2	QBGFE2030W1	N / A
10kA	40	N / A	QBGFE2040W1	N / A
10kA	50	N / A	QBGFE2050W1	N / A

Table 4.16 BAB with Shunt Trip 120/240Vac Max. (Shunt Trip Rating 120, 208, 240 V)

I.C Value	Amperes. Rating	1 Pole Catalogue No.	2 Pole Catalogue No.	3 Pole Catalogue No.
10kA	15	BAB1015S	BAB2015S	N / A
10kA	20	BAB1020S	BAB2020S	N / A
10kA	30	BAB1030S	BAB2030S	N / A
10kA	40	BAB1040S	BAB2040S	N / A
10kA	50	BAB1050S	BAB2050S	N / A
10kA	60	BAB1060S	BAB2060S	N / A
10kA	70	BAB1070S	BAB2070S	N / A
10kA	80	N / A	BAB2080S	N / A
10kA	90	N / A	BAB2090S	N / A
10kA	100	N / A	BAB2100S	N / A
10kA	125	N / A	BAB2125S	N / A

Table 4.17 Arc Fault Breaker 240Vac Max. Bolt-On Parallel Sensing

I.C Value	Amperes. Rating	1 Pole Catalogue No.	2 Pole Catalogue No.	3 Pole Catalogue No.
10kA	15	QBAF1015	N/A	N / A
10kA	20	QBAF1020	N/A	N / A

Bolt-On Parallel Sensing High IC

I.C Value	Amperes. Rating	1 Pole Catalogue No.	2 Pole Catalogue No.	3 Pole Catalogue No.
22kA	15	QBHAF1015	N / A	N / A
22kA	20	QBHAF1020	N / A	N / A

Bolt-On Series and Parallel Sensing

I.C Value	Amperes. Rating	1 Pole Catalogue No.	2 Pole Catalogue No.	3 Pole Catalogue No.
10kA	15	QB1015CAF	N / A	N / A
10kA	20	QB1020CAF	N / A	N / A

Series sensing and parallel (Not AFGF)

I.C Value	Amperes. Rating	1 Pole Catalogue No.	2 Pole Catalogue No.	3 Pole Catalogue No.
22kA	15	QBH1015CAF	N / A	N / A
22kA	20	QBH1020CAF	N / A	N / A

Bolt-On Independent Trip

I.C Value	Amperes. Rating	1 Pole Catalogue No.	2 Pole Catalogue No.	3 Pole Catalogue No.
10kA	15	N / A	QBAF2015IT	N / A
10kA	20	N / A	QBAF2020IT	N / A

Notes

QBAF-IT - 2 single pole 120V breakers coupled together. Trips independently on thermal or mag but both poles will trip on arc fault.

Table 4.18 Remote Operated Breakers Bolt-On "BABRSP"

REMOTELY OPERATED BREAKER WITH STATUS CONTACT

I.C Value	Amperes. Rating	1 Pole Catalogue No.	2 Pole Catalogue No.	3 Pole Catalogue No.
10kA	15	BABRSP1015	BABRSP2015	N / A
10kA	20	BABRSP1020	BABRSP2020	N / A
10kA	25	BABRSP1025	BABRSP2025	N/A
10kA	30	BABRSP1030	BABRSP2030	N / A

Table 4.19 Fire Alarm Circuit Breakers

I.C Value	Amperes. Rating	1 Pole Catalogue No.	2 Pole Catalogue No.	3 Pole Catalogue No.
10kA	15	BABF1015	N/A	N / A
10kA	20	BABF1020	N/A	N / A

Pow-R-Line 2X Components



Contents

Description	Page
Product Description	5-16
Box, Interior and Trim Selection - PRL2X	5-17
Circuit Breaker Selection - PRL2X	5-18
Panelboard Accessories and Modifications	5-19

Pow-R-Line 2X Components

Product Description

- 600Y/347Vac
- 480Y/277Vac
- 125Vdc
- 3-phase 4-wire,
1-phase 3-wire,
1-phase 2-wire,
3-phase 3-wire
- 600 ampere maximum main lugs
- 600 ampere maximum main breaker
- 100 ampere maximum branch breakers
- Bolt-on branch breakers
- Tin plated aluminum bus or silver plated copper bus

Application Description

- Fully rated
- Interrupting ratings up to 200 kA symmetrical

Standards and Certification

- CSA C22.2 No. 29



Aftermarket Assemblies Components

Pow-R-Line 2X Components

Box, Interior and Trim Selection

Pow-R-Line 2X, 347/600Vac, 100-400A

Table 5.1 3 Ph, 4 W Aluminum

Ampere Rating	I.C. Rating	Main Lug Size	Branch Circuits	Stock Order		Trim S = Surface F = Flush	Factory Order Complete Panelboard
				Box	Interior		
100	10 kA	Main Lugs Only #14-1/0	18	EZB2030RC	P2XL4A118I	EZT2030S \ 30F	P2XL4A1 - 18
			24	EZB2030RC	P2XL4A124I	EZT2030S \ 30F	P2XL4A1 - 24
			30	EZB2030RC	P2XL4A130I	EZT2030S \ 30F	P2XL4A1 - 30
225	10 kA	Main Lugs Only #6-300 MCM	24	EZB2036RC	P2XL4A224I	EZT2036S \ 36F	P2XL4A2 - 24
			30	EZB2036RC	P2XL4A230I	EZT2036S \ 36F	P2XL4A2 - 30
			42	EZB2042RC	P2XL4A242I	EZT2042S \ 42F	P2XL4A2 - 42
			60	EZB2054RC	P2XL4A260I	EZT2054S \ 54F	P2XL4A2 - 60
400	10 kA	Main Lugs Only 2-#4-500MCM or 2-3/0-750MCM	72	EZB2060RC	P2XL4A272I	EZT2060S \ 60F	P2XL4A2 - 72
			24	EZB2042RC	P2XL4A424I	EZT2042S \ 42F	P2XL4A4 - 24
			30	EZB2048RC	P2XL4A430I	EZT2048S \ 48F	P2XL4A4 - 30
			42	EZB2054RC	P2XL4A442I	EZT2054S \ 54F	P2XL4A4 - 42
			60	EZB2060RC	P2XL4A460I	EZT2060S \ 60F	P2XL4A4 - 60
72	EZB2072RC	P2XL4A472I	EZT2072S \ 72F	P2XL4A4 - 72			

Table 5.2 3 Ph, 4 W Copper

Ampere Rating	I.C. Rating	Main Lug Size	Branch Circuits	Stock Order		Trim S = Surface F = Flush	Factory Order Complete Panelboard
				Box	Interior		
100	10 kA	Main Lugs Only #14-1/0	18	EZB2030RC	P2XL4C118I	EZT2030S \ 30F	P2XL4C1 - 18
			24	EZB2030RC	P2XL4C124I	EZT2030S \ 30F	P2XL4C1 - 24
			30	EZB2030RC	P2XL4C130I	EZT2030S \ 30F	P2XL4C1 - 30
225	10 kA	Main Lugs Only #6-300 MCM	24	EZB2036RC	P2XL4C224I	EZT2036S \ 36F	P2XL4C2 - 24
			30	EZB2036RC	P2XL4C230I	EZT2036S \ 36F	P2XL4C2 - 30
			42	EZB2042RC	P2XL4C242I	EZT2042S \ 42F	P2XL4C2 - 42
			60	EZB2054RC	P2XL4C260I	EZT2054S \ 54F	P2XL4C2 - 60
			72	EZB2060RC	P2XL4C272I	EZT2060S \ 60F	P2XL4C2 - 72
400	10 kA	Main Lugs Only 2-#4-500MCM or 2-3/0-750MCM	24	EZB2042RC	P2XL4C424I	EZT2042S \ 42F	P2XL4C4 - 24
			30	EZB2048RC	P2XL4C430I	EZT2048S \ 48F	P2XL4C4 - 30
			42	EZB2054RC	P2XL4C442I	EZT2054S \ 54F	P2XL4C4 - 42
			60	EZB2060RC	P2XL4C460I	EZT2060S \ 60F	P2XL4C4 - 60
			72	EZB2072RC	P2XL4C472I	EZT2072S \ 72F	P2XL4C4 - 72

Pow-R-Line 2X Breaker and Accessories Selection

Table 5.3 10kA @ 600Y/347Vac

For use only on 3-phase 4 wire circuits - 347/600VAC maximum, wye grounded system only

Ampere Rating	1 Pole Catalogue #	2 Pole Catalogue #	3 Pole Catalogue #
15A	GBH1015	GBH2015	GBH3015
20A	GBH1020	GBH2020	GBH3020
25A	GBH1025	GBH2025	GBH3025
30A	GBH1030	GBH2030	GBH3030
35A	GBH1035	GBH2035	GBH3035
40A	GBH1040	GBH2040	GBH3040
45A	GBH1045	GBH2045	GBH3045
50A	GBH1050	GBH2050	GBH3050
60A	GBH1060	GBH2060	GBH3060
70A	GBH1070	GBH2070	GBH3070
80A	GBH1080	GBH2080	GBH3080
90A	GBH1090	GBH2090	GBH3090
100A	GBH1100	GBH2100	GBH3100

Table 5.4 14kA @ 277/480Vac

For use on 480Y/277Vac wye grounded system only

Ampere Rating	1 Pole Catalogue #	2 Pole Catalogue #	3 Pole Catalogue #
15A	GHB1015	GHB2015	GHB3015
20A	GHB1020	GHB2020	GHB3020
25A	GHB1025	GHB2025	GHB3025
30A	GHB1030	GHB2030	GHB3030
35A	GHB1035	GHB2035	GHB3035
40A	GHB1040	GHB2040	GHB3040
45A	GBH1045	GBH2045	GBH3045
50A	GHB1050	GHB2050	GHB3050
60A	GHB1060	GHB2060	GHB3060
70A	GHB1070	GHB2070	GHB3070
80A	GHB1080	GHB2080	GHB3080
90A	GHB1090	GHB2090	GHB3090
100A	GHB1100	GHB2100	GHB3100

Table 5.5 Ground Fault Breaker 480Y/277Vac Max. Bolt-On GHB

I.C Value	Amperes. Rating	1 Pole Catalogue No.	2 Pole Catalogue No.	3 Pole Catalogue No.
14kA	15	GHBGFEP1015	N / A	N / A
14kA	20	GHBGFEP1020	N / A	N / A

Table 5.6 Accessories for GBH Circuit Breakers

Catalogue #	Description
GBNP123P	Lockdog/Handle Block
GPLK	Padlock device (pkg of 10)
SK106	Mounting Screw for PRL1X/2X Branch Breakers (PKG 100)

PRL1X and 2X Enclosure Dimensions and Accessories

Table 5.7 Dimensions - Inches (mm)

Box Catalogue Number	Height	Width	Depth
EZB2030RC	30 (762)	20 (508)	5-3/4 (146)
EZB2036RC	36 (914)	20 (508)	5-3/4 (146)
EZB2042RC	42 (1067)	20 (508)	5-3/4 (146)
EZB2048RC	48 (1219)	20 (508)	5-3/4 (146)
EZB2054RC	54 (1372)	20 (508)	5-3/4 (146)
EZB2060RC	60 (1524)	20 (508)	5-3/4 (146)
EZB2072RC	72 (1828)	20 (508)	5-3/4 (146)

Dimensions are inside, for outside dimensions add 1/4" (6.4mm)

Table 5.8 Pow-R-Line 3X Miniature Breaker Connector Kits (Oct 2021 - Present)

Catalogue No.	Description
KPRL3ABA06	For 6 circuits of BAB / QBHW / GFCBB BREAKERS (3X)
KPRL3ABA12	For 12 circuits of BAB / QBHW / GFCBB BREAKERS (5X)
KPRL3ABA18	For 18 circuits of BAB / QBHW / GFCBB BREAKERS (8X)
KPRL3ABA24	For 24 circuits of BAB / QBHW / GFCBB BREAKERS (10X).
KPRL3AGB06	For 6 circuits of GB / GBH BREAKERS (3X)
KPRL3AGB12	For 12 circuits of GB / GBH BREAKERS (5X)
KPRL3AGB18	For 18 circuits of GB / GBH BREAKERS (8X)
KPRL3AGB24	For 24 circuits of GB / GBH BREAKERS (10X)

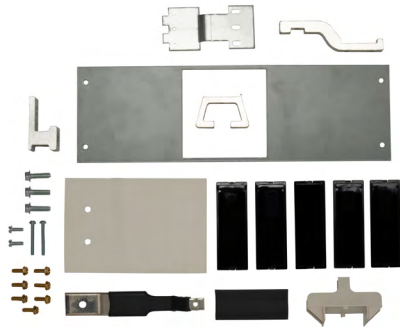
Table 5.9 Pow-R-Line 4X Blank Filler Plates

Catalogue No.	Description
P41X17	PRL4X- 1X BLANK COVER FOR 24"W BOX (1-3/8"X17")
P42X17	PRL4X- 2X BLANK COVER FOR 24"W BOX (2-3/4"X17")
P43X17	PRL4X- 3X BLANK COVER FOR 24"W BOX (4-1/8"X17")
P44X17	PRL4X- 4X BLANK COVER FOR 24"W BOX (5-1/2"X17")
P41X25	PRL4X- 1X BLANK COVER FOR 38" OR 44"W BOX (1-3/8"X25")
P42X25	PRL4X- 2X BLANK COVER FOR 38" OR 44"W BOX (2-3/4"X25")
P43X25	PRL4X- 3X BLANK COVER FOR 38" OR 44"W BOX (4-1/8"X25")
P44X25	PRL4X- 4X BLANK COVER FOR 38" OR 44"W BOX (5-1/2"X25")

Table 5.10 Pow-R-Line Xpert Panelboard Accessories

Catalogue No.	Description
EZLOCKR3060	EZ Trim Lock on door 72-90 CCT c/w Key
EZLOCKR7290	EZ Trim Lock on door 72-90 CCT c/w Key
EZLOCKR3060N	EZ Trim Lock on door 30-60 CCT w/o key
EZLOCKR7290N	EZ Trim Lock on door 72-90 CCT w/o key
WEM2	Key for Door/Trim Locks
EZBSPKIT	EZ Box Sprinklerproof Kit (20"W Box) - Surface Mount Only
EZBSPKIT28	EZ Box Sprinklerproof Kit (28"W Box) - Surface Mount Only
BRFP	BAB/GBH Filler
PL3XFILL	(12) x 42C8083H01 - PRL3X Filler PD2
PL4XFILL	PRL4X (4)1P, (4)2P, (4) 3P FILLER COVERS - METAL PD2
PL12IGK24	Insulated ground kit - 24 circuit
PL12IGK42	Insulated ground kit - 42 circuit
PL12N2X-42	200% rated neutral - max 400A
PL12NAK24	24cct neutral bar-only adder kit (use with DNBA bkrs)
PL12NAK42	42cct neutral bar-only adder kit (use with DNBA bkrs)
PLA12SF100	PRL1X/2X 100A subfeed lug kit - (2) 1/0-#14 per phase
PLA12SF225	PRL1X/2X 225A subfeed lug kit - (2) #6 - 300 MCM per phase
1A85195H01	EZ Trim anti-lift slide bracket
BXJNRFLUSH	Double tub box joiner (for flush mounted panels)
DIRCARD42	(50 cct) 1-42 cct directory card
DIRCARD84	(50 cct) 43-84 cct directory card
DIRSLEEVE	(25) x Plastic card holder
PRL12ANUM42	PRL1X/2X Number Strip 1-42 (5)
PRL12ANUM84	PRL1X/2X Number Strip 43-84 (5)
PRL12ANUM126	PRL1X/2X Number Strip 85-126 (5)
PRL3ANUM42	PRL3X Number Strip 1-42 (5)
PRL3ANUM84	PRL3X Number Strip 43-84 (5)
PRL3ANUM126	PRL3X Number Strip 85-126 (5)
PL12NEUT24	PRL1X/2X Neutral Assembly SN/CU 42CCT 225A CU/AL
PL12NEUT28	PRL1X/2X Neutral Assembly SN/CU 225A 84CCT CU/AL
PL12NEUT28F	PRL1X/2X Neutral Assembly SN/CU 225A 84CCT Throughfeed CU/AL
PL12NEUT44	PRL1X/2X Neutral Assembly SN/CU 42CCT 400A/600A CU/AL
PL12NEUT44F	PRL1X/2X Neutral Assembly SN/CU 42CCT 400A/600A Throughfeed CU/AL
PL12NEUT48	PRL1X/2X Neutral Assembly SN/CU 84 CCT 400A/600A CU/AL
PL12NEUT48F	PRL1X/2X Neutral Assembly SN/CU 84CCT 400A/600A Throughfeed CU/AL

Replacement Connector Kits



Contents

Description	Page
Product Description	6-20
Panelboard Breaker Connector Kits (1960 to 1990)	6-21
Panelboard Breaker Connector Kits (1990 to Present).....	6-22
Pow-R-Line Xpert Breaker Aftermarket Kits.....	6-23
Fusible Switch Selection	6-24
Fusible Switch Connector Kits	6-25

Replacement Connector Kits

Product Description

- 600Y/347Vac
- 480Y/277Vac
- 125/250Vdc
- 3-phase 4-wire,
1-phase 3-wire,
1-phase 2-wire,
3-phase 3-wire
- Field installable
- Up to 1200A max breaker options

Application Description

- Panelboard and switchboard chassis mounted kits

Standards and Certification

- CSA C22.2 No. 29



Aftermarket Assemblies Components

Replacement Connector Kits

Panelboard Connector Kits (1990 to Present)

Application Note

CAUTION:

Old panelboards may not be able to handle the interrupting means of Series C Breakers. Only use a breaker for which a connector exists for that panelboard. Any applications that cannot be satisfied by the listed connector kits should be referred to Eaton.

USE OF A BREAKER IN A PANELBOARD FOR WHICH THEY ARE NOT INTENDED FOR, COULD RESULT IN SERIOUS DAMAGE AND/OR PERSONAL INJURY.

Table 6.4 Pow-R-Line 3 / Commander CHB2 (1991 to July 1994) / NFB / NFD

Catalogue No.	Description
CK3A	ALUMINUM - Superseded-Use CK3C for Al or Cu
CK3C	COPPER F-FRAME 3 POLE 150 A MAX.

Table 6.5 Pow-R-Line 3a (July 1994 to Present)

Catalogue No.	Description
KPRL3ABA06	For 6 circuits of BAB / QBHW / GFCBB BREAKERS (3X)
KPRL3ABA12	For 12 circuits of BAB / QBHW / GFCBB BREAKERS (5X)
KPRL3ABA18	For 18 circuits of BAB / QBHW / GFCBB BREAKERS (8X)
KPRL3ABA24	For 24 circuits of BAB / QBHW / GFCBB BREAKERS (10X)
KPRL3AGB06	For 6 circuits of GB / GBH BREAKERS (3X)
KPRL3AGB12	For 12 circuits of GB / GBH BREAKERS (5X)
KPRL3AGB18	For 18 circuits of GB / GBH BREAKERS (8X)
KPRL3AGB24	For 24 circuits of GB / GBH BREAKERS (10X)
KPRL3AFD3	FOR 2 SERIES C F-FRAME 1, 2, 3 POLE (3X) MAX SUM BREAKER 400A
KPRL3AFD3S	F FRAME 3 POLE SINGLE MOUNT - OVER 150 A

Table 6.6 Pow-R-Line 4a Blank Filler Plates

Catalogue No.	Description
P41X17	PRL4- 1X BLANK COVER FOR 24"W BOX (1-3/8"X17")
P42X17	PRL4- 2X BLANK COVER FOR 24"W BOX (2-3/4"X17")
P43X17	PRL4- 3X BLANK COVER FOR 24"W BOX (4-1/8"X17")
P44X17	PRL4- 4X BLANK COVER FOR 24"W BOX (5-1/2"X17")
P41X25	PRL4- 1X BLANK COVER FOR 38" OR 44"W BOX (1-3/8"X25")
P42X25	PRL4- 2X BLANK COVER FOR 38" OR 44"W BOX (2-3/4"X25")
P43X25	PRL4- 3X BLANK COVER FOR 38" OR 44"W BOX (4-1/8"X25")
P44X25	PRL4- 4X BLANK COVER FOR 38" OR 44"W BOX (5-1/2"X25")

Table 6.7 Pow-R-Line 4a / Commander CDP2- Copper or Aluminum (Late 1990 to Present)

Catalogue No.	Description
KPRL4CA	FOR 2 CA/CAH Breakers - OBSOLETE
KPRL4FD2	SERIES C F-FR. 4 x 1 POLE OR 2 x 2 POLE-450A max. total (2X)
KPRL4FD3	FOR 2 SERIES C F-FRAME 3 POLE - 450A max. total (3X)
KPRL4LFD3	FOR 2 FD+LFD BREAKER 3 POLE 150A max.
KPRL4FD3W	FOR 2 SERIES C-F-FRAME 3 POLE, WIDER CUTOUT (3X)
KPRL4FBP	FB TRIPAC BREAKER 3 POLE 100A max.
KPRL4JDS ①	JD SINGLE - 250A max. - (3X)
KPRL4JDT ②	JD TWIN - 250A max. - (3X)
KPRL4KDS ①	KD / HKD / KDC SINGLE - 400A max. - (4X)
KPRL4KDC ②	HKD/KDC TWIN - 400A max. - (4X) (Use with NEW KDC 65kA @ 600V - Replaced KPRL4KDT)
KPRL4CKDS ①	CKD SINGLE - 400A max. - (4X)
KPRL4LCL	LCL BREAKER 3 POLE 400A max.
KPRL4LAP	LA TRIPAC BREAKER 3 POLE 400A max.
KPRL4LD	LA/HLA/LC/HLC/LD/HLD/LDC/CLD BREAKER 3 POLE 600A max.
KPRL4LG	FOR SERIES G-L-FRAME 3 POLE
KPRL4MA	MA/HMA/MC/HMC BREAKER 3 POLE 800A max.
KPRL4MDL	MDL/HMDL BREAKER 3 POLE 800A max.
KPRL4NBP	NB TRIPAC BREAKER 3 POLE 800A max.
KPRL4ND	NB/HNB/ND/HND/NDC/NG BREAKER 3 POLE 1200A max.
KPRL4CND	CND/NG BREAKER 3 POLE 1200A max.

Notes

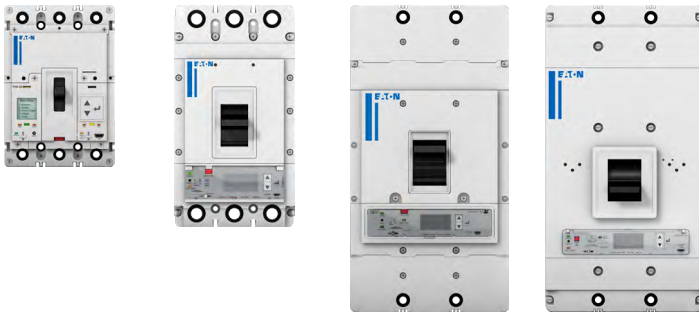
① JD and KD single connector kits fit in 24" and 30" wide panels.

② JD and KD twin connector kits fit in 38", 44" and 48" wide panels. Twin mounted KDC's for use at 65kA @ 600V must use KPRL4XKDC twin connector kits. Do not use KPRL4XKDT.

Pow-R-Line Xpert Aftermarket Connector Kits

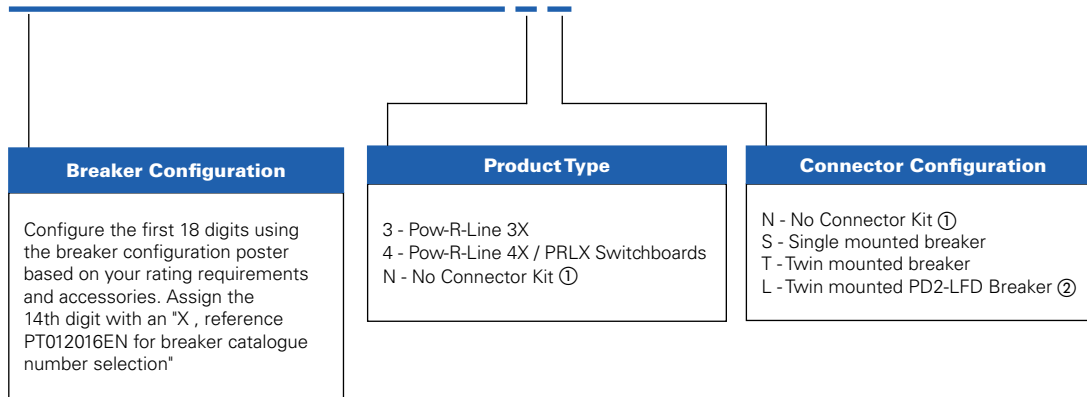
Product Description

The new Pow-R-Line Xpert aftermarket connector kits can only be purchased with the Power Defense breakers. You can replace an existing Power Defense breaker in an Pow-R-Line Xpert assembly by using the follow the general catalogue number logic below when ordering through your local sales representative or distributor.



Catalogue Number

PDG33M0400P5MXNNNN 4 T



Notes

- ① Use if you already have an existing twin breaker configuration and only require an addition breaker next to the existing twin connector kit.
- ② Not available in Pow-R-Line 3X

If you require additional assistance, please contact Eaton or reference the Pow-R-Line Xpert Aftermarket Breakers booklet IB014001EN

Aftermarket Assemblies Components

Replacement Connector Kits

Fusible Switch Selection

Table 6.8 Replacement Fusible Switches

Fusible Switch	Catalogue No.	Style No.
Twin 30A / 30A Switch c/w 600V "J" Fuse Clips (4X)	FDPWT3611J	1240C05G84
Twin 30A / 60A Switch c/w 600V "J" Fuse Clips (4X)	FDPWT3612J	1240C05G85
Twin 60A / 60A Switch c/w 600V "J" Fuse Clips (4X)	FDPWT3622J	1240C05G86
Twin 100A / 100A Switch c/w 600V "J" Fuse Clips (5X)	FDPWT3633J	1240C06G83
Single 200A Switch c/w 600V "J" Fuse Clips (6X) OBSOLETE	FDPWS364J	2611D08G12
Single 200A Switch c/w 600V "J" Fuse Clips (6X)	FDPBS364J	7828C97G13
Twin 200A / 200A Switch c/w 600V "J" Fuse Clips (6X) OBSOLETE	FDPWT3644J	7830C68G02
Twin 200A / 200A Switch c/w 600V "J" Fuse Clips (6X)	FDPBT3644J	7828C98G12
Single 400A Switch c/w 600V "J" Fuse Clips (9X)	FDPW365J	7830C03G43
Single 600A Switch c/w 600V "J" Fuse Clips (11X)	FDPW366J	7830C09G43
Single 800A Switch c/w 600V "L" Fuse Clips (11X)	FDPW367	7830C10G41
Single 1200A Switch c/w 600V "L" Fuse Clips (15X)	FDPW368	7830C08G41

Notes

Twin 200A / 200A switch for use on current Pow-R-Line 4 panels only. For other fuse clip provisions, refer to Eaton. For complete kit order fusible switch and connectors for the associated panelboard.

Table 6.9 Replacement Fusible Metered Switches

Metered Switch FSMC	Catalogue No.	Style No.
Twin 30A / 30A Metered Switch c/w 600V "J" Fuse Clips (7X)	FSMC3030	1C01078G01
Twin 60A / 60A Metered Switch c/w 600V "J" Fuse Clips (7X)	FSMC6060	1C01079G01
Twin 100A / 100A Metered Switch c/w 600V "J" Fuse Clips (7X)	FSMC100100	1C01080G01
200A Metered Switch c/w 600V "J" Fuse Clips (7X) OBSOLETE	FSMC200	1C01081G01
200A FSMCB Metered Sw c/w 600V "J" Fuse Clips (7X)	FSMCB200	1C01081G02

Notes

For complete kit order fusible switch and connectors for the associated panelboard.

Fusible Switch Connector Kit Selection

Table 6.10 Replacement Connector Kits

**Fusible Switch Connectors for Pow-R-Line 4a Panels
(Sept. 1995 to present) (Switch type FDP, CFDP or FSMC)**

	Catalogue No.
Connector Kit for Twin 30A / 30A switch - Al or Cu Panel bus	KPRL4W4XT
Connector Kit for Twin 60A / 60A switch - Al or Cu Panel bus	KPRL4W4XT
Connector Kit for Twin 100A / 100A switch - Al or Cu Panel bus	KPRL4W5XT
Connector Kit for Single 200A switch - Al or Cu Panel bus OBSOLETE	KPRL4W6XS
Connector Kit for Single 200A switch - Al or Cu Panel bus Use with new FDPB only	KPRL4B6XS
Connector Kit for Twin 200A/200A switch - Al or Cu Panel bus OBSOLETE	KPRL4W6XT
Connector Kit for Twin 200A/200A switch - Al or Cu Panel bus Use with new FDPB only	KPRL4B6XT
Connector Kit for Single 400A switch - Al or Cu Panel bus	KPRL4W9X
Connector Kit for Single 600/800A switch - Al or Cu Panel bus	KPRL4W11X
Connector Kit for Single 1200A switch - Al or Cu Panel bus	KPRL4W15X

Fusible Switch Connectors for WSF / WMBF / QSF / QMBF Panels (up to 1995)

	Catalogue No.
Connector Kit for Twin 30A & 60A switches - Al or Cu panel bus (also use for P-switch)	KWSF4XT
Connector Kit for Twin 100A / 100A switch - Al or Cu panel bus	KWSF5XT
Connector Kit for Single 200A switch - Al or Cu panel bus (also use for P-switch) OBSOLETE	KWSF6XS
Connector Kit for Single FDPB 200A sw only - Al or Cu panel bus (does not work for P-switch)	KWSFB6XS
Connector Kit for Single 400A switch - Al or Cu panel bus	KWSF9X
Connector Kit for Single 600A & 800A switches - Al or Cu panel bus	KWSF11X
1200A Connector Kit Not for use with new switch	

Fusible Switch Connectors for QMBP Panels (up to 1986) (Commander P-switches)

	Catalogue No.
Connector Kit for QMBF P-Switch 100A / 100A	KQMBP5XT
Connector Kit for QMBF P-Switch 400A	KQMBP9X
Connector Kit for QMBF P-Switch 600A & 800A	KQMBP11X

Fusible Switch Connectors for FDP Panels (used until 1990)

	Catalogue No.
Connector Kit for Twin 30A, 60A, 100A switches - Alum panel bus	KFDP5XT
Connector Kit for Single 200A switch - Alum panel bus OBSOLETE	KFDP6XS
Connector Kit for Single 400A switch - Alum panel bus	KFDP9X
Connector Kit for Single 600A switch - Alum panel bus	KFDP11X
800 and 1200A Connector Kit Not for use with new switch	
Connector Kit for Twin 30A, 60A, 100A switches - Cu panel bus	KFDP5XTC
Connector Kit for Single 200A switch - Cu panel bus OBSOLETE	KFDP6XSC
Connector Kit for Single 400A switch - Cu panel bus	KFDP9XC
Connector Kit for Single 600A switch - Cu panel bus	KFDP11XC

Notes

For 800 and 1200A Connector Kit Not for use with new switch.

A 200A Alum. Connector kit is no longer available for use with old FDP panelboards. Contact Eaton for retrofit panelboard options.

For Twin 100A, Single 400A and Single 800A.

For 36" wide cell, modifications to the left and right side trims may be required to accommodate the new switch.

For 38" wide cell, modifications to the 2" filler on the right side may be required to accommodate the new switch.

For replacement of old Commander "P" Switches refer to Eaton.

Identify if panel bus is copper or aluminum before you select connector kit. They are not interchangeable.

Eaton is a power management company with 2018 sales of \$21.6 billion. We provide energy-efficient solutions that help our customers effectively manage electrical, hydraulic and mechanical power more efficiently, safely and sustainably. Eaton is dedicated to improving the quality of life and the environment through the use of power management technologies and services. Eaton has approximately 100,000 employees and sells products to customers in more than 175 countries. For more information, visit www.eaton.com.

Eaton

1000 Eaton Boulevard
Cleveland OH. 44122
United States
Eaton.com

Electrical Sector
Canadian Operations
5050 Mainway
Burlington, ON L7L 5Z1
Canada
EatonCanada.ca

© 2024 Eaton Corporation
All Rights Reserved
Printed in Canada
Publication No. CA014026EN
January 2024

Eaton is a registered trademark.

All other trademarks are property of their respective owners.

Follow us on social media to get the latest product and support information.

