

CT Utility Enclosures



Application

- Used for split core CT applications

Construction

- NEMA Type 3R
- ANSI 61 gray E-coat finish
- 3/4" wood back panel installed

Standards

- Not UL Listed

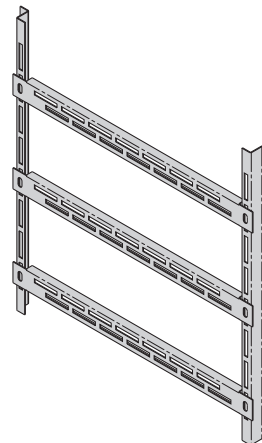
Utility Enclosures

Part/UPC Number	Catalog Number	Overall Dimensions			Doors	Meter Viewing Window	Special	Layout
		Height	Width	Depth				
78205138000	345 HC	24"	18"	11"	Single, Hinged	--	For "A" Base Metering	Fig. 1
78205138020	351 HC	30"	24"	11"	Single, Hinged	--	For "A" Base Metering	Fig. 1
78205138030	352 HC	28"	28"	11"	Single, Hinged	1, Hinged	--	Fig. 2
78205138041	353 DHC	24"	30"	12"	Single, Lift Off	3, Hinged	--	Fig. 3
78205138090	360 HC	24"	14"	10"	Single, Lift Off	1, Hinged	w/ Pole Mount Brackets	Fig. 4
78205138050	420 HC	48"	34"	13"	Double, Hinged	--	3-Pt Latching Handle	Fig. 5a
78205138070	421 HC	48"	34"	13"	Double, Hinged	1, Hinged	3-Pt Latching Handle	Fig. 5b
78205138080	422 HC	48"	34"	13"	Double, Hinged	2, Hinged	3-Pt Latching Handle	Fig. 5c

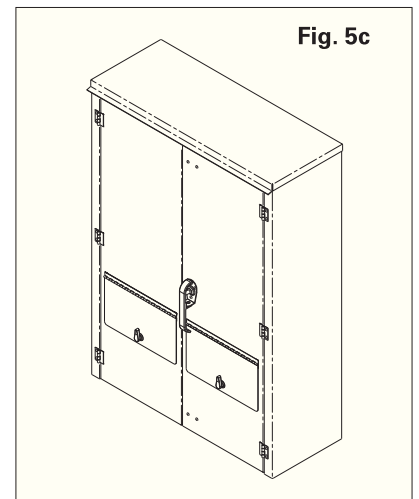
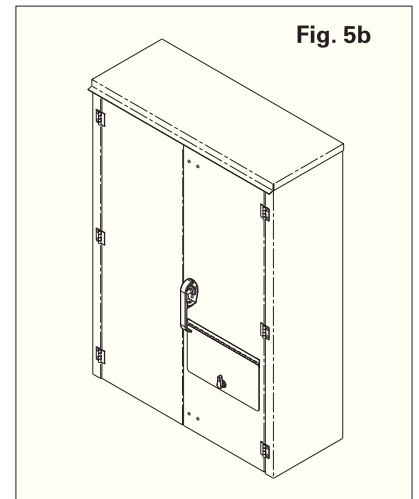
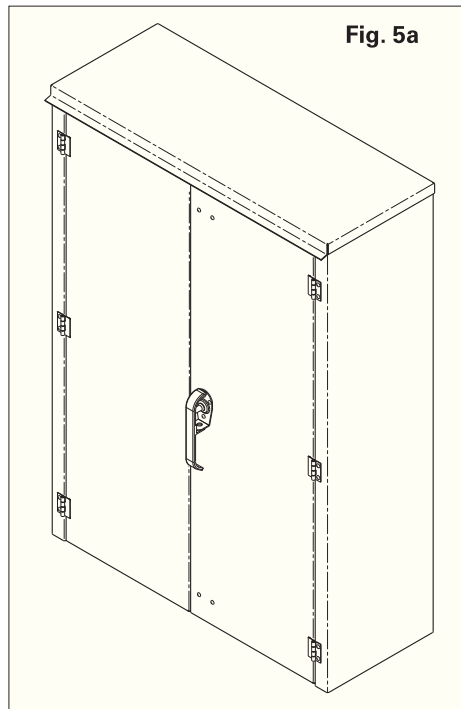
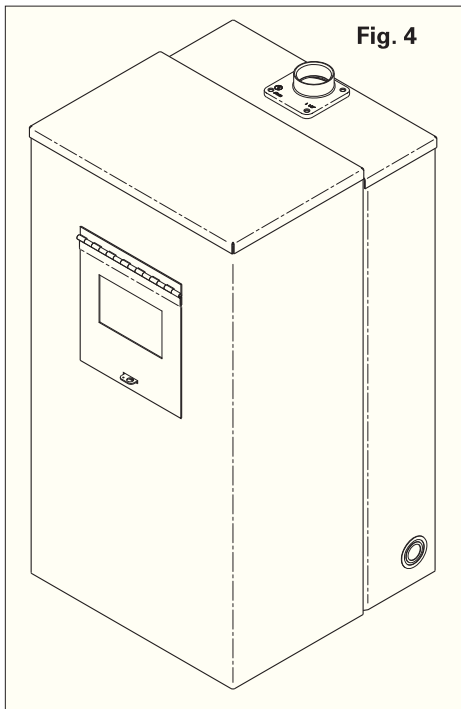
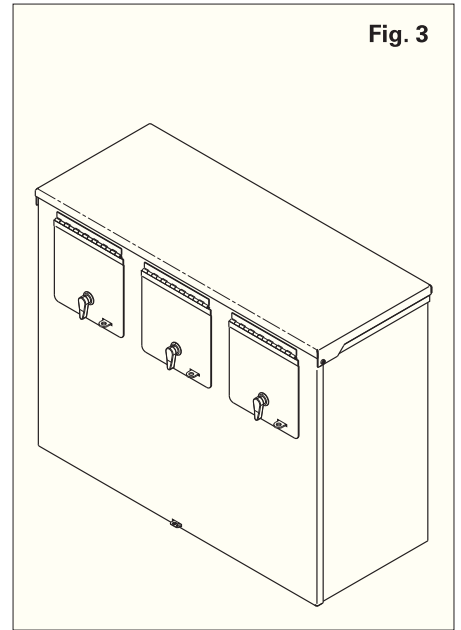
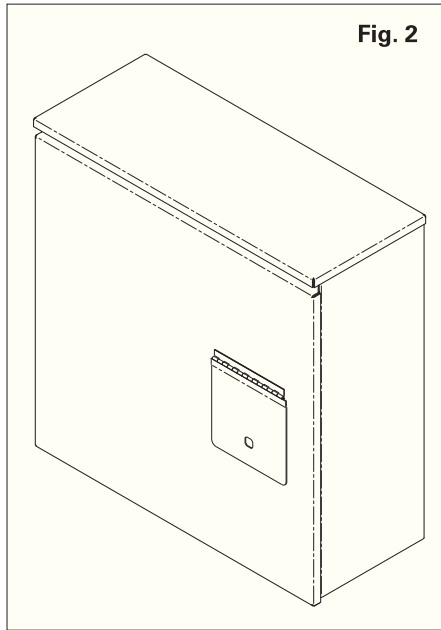
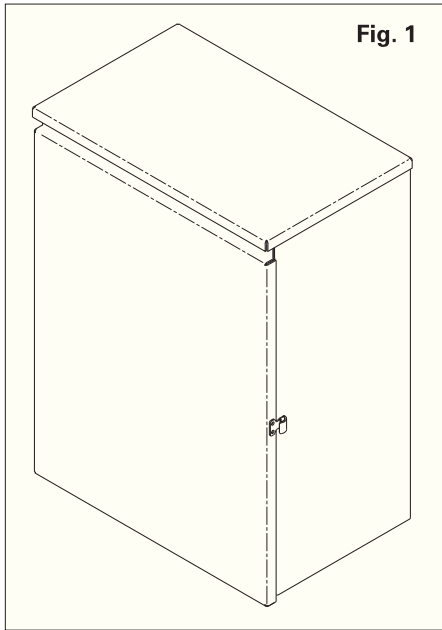
Universal CT Equipment Mounting Racks

Part/UPC Number	Catalog Number	Overall Dimensions	
		Height	Width
78205138060	415	33"	36"
78205138065	415 H	26"	28"

415 H



Layouts



Data subject to change without notice. Consult local utility for area acceptance. All dimensions are in inches.