

# Single Meter Sockets - Without Bypass

## CT Rated



051HS-13 (closed)



051HS-13 (open)

### Application

- Receive ANSI C12.10 watthour meters
- Overhead and underground feed (see chart)
- Surface mount

### Construction

- Ring type
- NEMA Type 3R
- ANSI 61 gray E-coat finish
- Aluminum snap ring included



### Standards

- UL 414 Listed
- ANSI C12.7

### Accessories

- AW Hub
- Screw Type Ring - 25016D

Part/UPC Number	Catalog Number	Amp Rating	Jaws	Service Type	Access	Connections		
						Line	Load	Neutral
78205168494	924	20	4	1Ø	OH/UG	#14 - #10	#14 - #10	#14 - #10
78205144010	925	20	5	1Ø	OH/UG	#14 - #10	#14 - #10	#14 - #10
78205144020	926	20	6	1Ø	OH/UG	#14 - #10	#14 - #10	#14 - #10
78205144040	928	20	8	1Ø or 3Ø	OH/UG	#14 - #10	#14 - #10	#14 - #10
78205144045	051HS-13	20	13	3Ø	OH/UG	#14 - #10	#14 - #10	#14 - #10
78205144050	051HS-15	20	15	3Ø	OH/UG	#14 - #10	#14 - #10	#14 - #10
78205102085	924 MS77	20	4	1Ø	OH/UG	#14 - #10	#14 - #10	#14 - #10

Part/UPC Number	Catalog Number	Overall Dimensions			Top Provision	Knockout Layout
		Height	Width	Depth		
78205168494	924	12"	8"	4 <sup>5</sup> / <sub>8</sub> "	AW Hub	Fig. 1
78205144010	925	12"	8"	4 <sup>5</sup> / <sub>8</sub> "	AW Hub	Fig. 1
78205144020	926	12"	8"	4 <sup>5</sup> / <sub>8</sub> "	AW Hub	Fig. 1
78205144040	928	12"	8"	4 <sup>5</sup> / <sub>8</sub> "	AW Hub	Fig. 1
78205144045	051HS-13	12"	8"	4 <sup>5</sup> / <sub>8</sub> "	AW Hub	Fig. 1
78205144050	051HS-15	12"	8"	4 <sup>5</sup> / <sub>8</sub> "	AW Hub	Fig. 1
78205102085	924 MS77	12"	8"	4 <sup>5</sup> / <sub>8</sub> "	AW Hub	Fig. 1

# Single Meter Sockets - Without Bypass

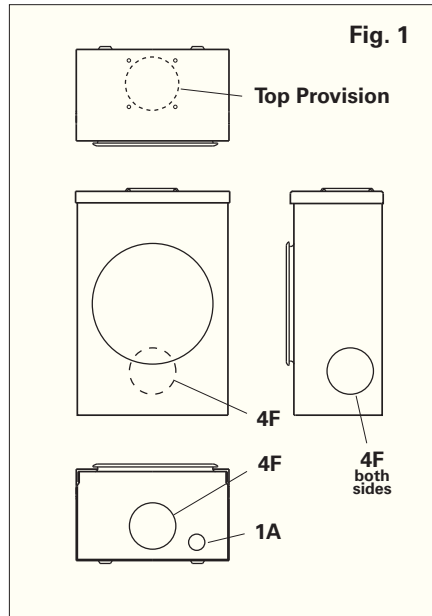
CT Rated

Style #	Suffixes
924	<b>MS77</b> - 1" Conduit Hub
925	<b>SS</b> - Stainless Steel
926	
928	
051HS	

## Knockouts - Conduit Sizes

1A = 1/2"  
4F = 2" - 1 1/2" - 1 1/4" - 1"  
Top Provision ≠ See Chart

## Knockout Layouts



Data subject to change without notice. Consult local utility for area acceptance. All dimensions are in inches.

# Single Meter Sockets

## CT Rated With Test Switch Bypass Provision



121413 (closed)



121413 (open)

### Application

- Test switch section under separate cover
- Test switch perch included
- Receive ANSI C12.10 watt-hour meters
- Overhead and underground feed (see chart)
- Surface mount

### Construction

- Ring type
- NEMA Type 3R
- ANSI 61 gray E-coat finish
- Aluminum snap ring included



### Standards

- UL 414 Listed
- ANSI C12.7
- EUSERC 339

### Accessories

- AW Hub
- Screw Type Ring - 25016D

Part/UPC Number	Catalog Number	Amp Rating	Jaws	Service Type	Access	Connections		
						Line	Load	Neutral
78205146000	12144	20	4	1Ø	OH/UG	#14 - #10	#14 - #10	#14 - #10
78205146010	12145	20	5	1Ø	OH/UG	#14 - #10	#14 - #10	#14 - #10
78205146020	12146	20	6	1Ø	OH/UG	#14 - #10	#14 - #10	#14 - #10
78205144640	12148	20	8	1Ø or 3Ø	OH/UG	#14 - #10	#14 - #10	#14 - #10
78205144650	121413	20	13	3Ø	OH/UG	#14 - #10	#14 - #10	#14 - #10
78205144065	121415	20	15	3Ø	OH/UG	#14 - #10	#14 - #10	#14 - #10
78205146070	1214208 *	20	8	1Ø or 3Ø	OH/UG	#14 - #10	#14 - #10	#14 - #10
78205146060	1214213 *	20	13	3Ø	OH/UG	#14 - #10	#14 - #10	#14 - #10
78205180265	1214215 *	20	13	3Ø	OH/UG	#14 - #10	#14 - #10	#14 - #10

Part/UPC Number	Catalog Number	Overall Dimensions			Top Provision	Knockout Layout
		Height	Width	Depth		
78205146000	12144	20"	12"	4 <sup>5</sup> / <sub>8</sub> "	AW Hub	Fig. 1
78205146010	12145	20"	12"	4 <sup>5</sup> / <sub>8</sub> "	AW Hub	Fig. 1
78205146020	12146	20"	12"	4 <sup>5</sup> / <sub>8</sub> "	AW Hub	Fig. 1
78205144640	12148	20"	12"	4 <sup>5</sup> / <sub>8</sub> "	AW Hub	Fig. 1
78205144650	121413	20"	12"	4 <sup>5</sup> / <sub>8</sub> "	AW Hub	Fig. 1
78205144065	121415	20"	12"	4 <sup>5</sup> / <sub>8</sub> "	AW Hub	Fig. 1
78205146070	1214208 *	20"	24 <sup>3</sup> / <sub>8</sub> "	4 <sup>5</sup> / <sub>8</sub> "	AW Hub	Fig. 2
78205146060	1214213 *	20"	24 <sup>3</sup> / <sub>8</sub> "	4 <sup>5</sup> / <sub>8</sub> "	AW Hub	Fig. 2
78205180265	1214215 *	20"	24 <sup>3</sup> / <sub>8</sub> "	4 <sup>5</sup> / <sub>8</sub> "	AW Hub	Fig. 2

\* Not EUSERC 339 compliant.

# Single Meter Sockets

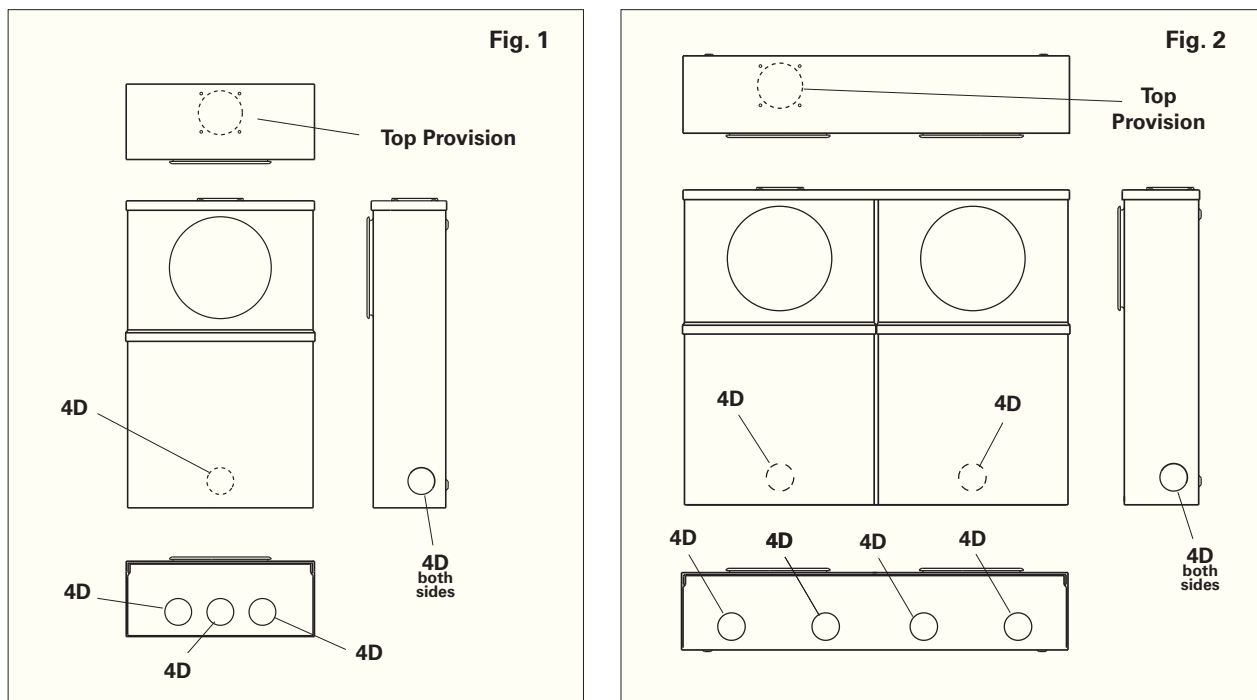
## CT Rated With Test Switch Bypass Provision

Style #	Suffixes
12144	F - Flush Mount
12145	MS20 - Ring Protector
12146	SS - Stainless Steel
12148	
121413	
121415	
1214208	
1214213	
1214215	

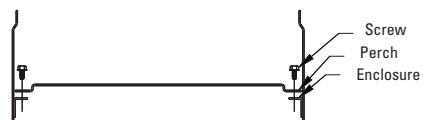
### Knockouts - Conduit Sizes

4D = 1 1/4" - 1" - 3/4" - 1/2"  
Top Provision = See Chart

### Knockout Layouts



### Test Switch Perch Instructions



Drawing 1



Drawing 1



Drawing 1

To offset test switch perch so that additional space is available for the use of a test switch cover, see instructions below.

1. Remove (4) screws that hold the perch to the enclosure (see Drawing 1)
2. Flip perch over as shown (see Drawing 2)
3. Now use the screws you removed in step one and screw the perch to the enclosure, torque screws to 35 in/lbs. (see Drawing 3)

Data subject to change without notice. Consult local utility for area acceptance. All dimensions are in inches.