

Current Transformer Metering

20 Amp. CT Meter Socket - 600 VAC



SW02132S1GR1N
shown open & closed



SW02132C2GR1T
shown open & closed

Application

- Single meter position
- Designed for watt hour meters that meet ANSI C12.10
- Overhead or underground feed
- Surface mount

Construction

- Ringless cover
- Type 3R construction
- 16 Ga. galvaneal/galvanized steel

Standards

- UL 414 listed
- Complies with ANSI C12.7

Finish

- ANSI 61 gray painted finish

Accessories

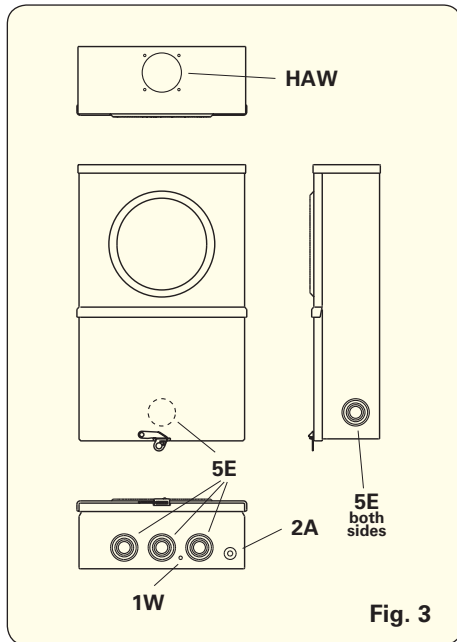
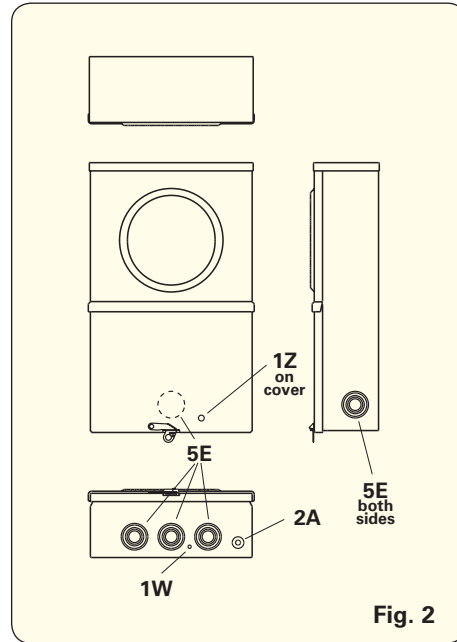
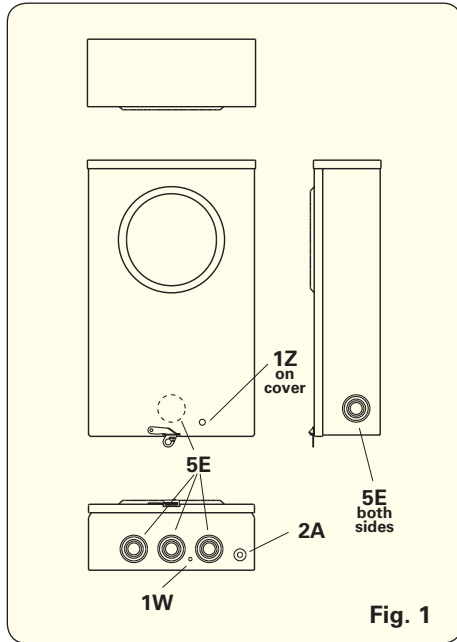
- Replacement sockets
- AW hub assemblies
- Test switch bypass horn kit
- Lug kits
- Closing plates
- Touch-up paint

Part/UPC Number	Catalog Number	Service	Top Provision	Service Type	No. of Terminals	Bypass	Conductors Line/Load	Ground Prov. (Qty)	Overall Dimensions			Knockout Layout
									Height	Width	Depth	
20 Amp Continuous, CT Meter Socket with Pre-Wired Test Switch, 1 Piece Enclosure Cover												
78205138496	SW02062S1GR1N	UG	None	1Ø/3W	6	7 Pole TS without cover	#10-32 Stud	(2) #10-#2 AWG	20 ¹ / ₈ "	12 ¹ / ₄ "	5 ¹ / ₄ "	Fig. 1
78205138495	SW02132S1GR1N	UG	None	3Ø/4W	13	10 Pole TS without cover	#10-32 Stud	(2) #10-#2 AWG	20 ¹ / ₈ "	12 ¹ / ₄ "	5 ¹ / ₄ "	Fig. 1
20 Amp Continuous, CT Meter Socket with Pre-Wired Test Switch, 2 Piece Enclosure Cover												
78205158198	SW02062C2GR1T	UG	None	1Ø/3W	6	7 Pole TS with cover	#10-32 Stud	(2) #10-#2 AWG	20 ¹ / ₈ "	12 ¹ / ₄ "	5 ¹ / ₄ "	Fig. 2
78205158197	SW02082C2GR1T	UG	None	3Ø/3W	8	7 Pole TS with cover	#10-32 Stud	(2) #10-#2 AWG	20 ¹ / ₈ "	12 ¹ / ₄ "	5 ¹ / ₄ "	Fig. 2
78205138511	SW02132C2GR1T	UG	None	3Ø/4W	13	10 Pole TS with cover	#10-32 Stud	(2) #10-#2 AWG	20 ¹ / ₈ "	12 ¹ / ₄ "	5 ¹ / ₄ "	Fig. 2
20 Amp Continuous, CT Meter Socket with Test Switch Provision, 2 Piece Enclosure Cover												
78205138512	SP02133N2GRST	OH/UG	AWCAP	3Ø/4W	13	TS Provision	#14-#6	(2) #10-#2 AWG	20 ¹ / ₈ "	12 ¹ / ₄ "	5 ¹ / ₄ "	Fig. 3

TS = Test Switch

Data subject to change without notice. Consult local utility for area acceptance. All dimensions are in inches.

Knockout Layouts



Knockouts - Conduit Sizes

- 1W = 1/4" dia.
- 1Z = 7/16" dia. (Barrel Lock KO)
- 2A = 1/2" - 3/8" dia.
- 5E = 1 1/2" - 1 1/4" - 1" - 3/4" - 1/2"
- HAW = AW Hub Opening (Small)

Data subject to change without notice. Consult local utility for area acceptance. All dimensions are in inches.

Current Transformer Metering

Type 3R Current Transformer Cabinets With Mounting Base - 600 VAC



363612DDHRTCT1N
shown open & closed



Application

- Designed to house current transformers (CT)
- Used as wiring, junction, and pull cabinet
- Protects against falling rain, sleet, and external ice formation
- Surface mount

Construction

- Type 3R construction
- 12 Ga. galvaneal/galvanized steel
- CT mounting bases installed

Standards

- UL 414 listed
- Complies with ANSI C12.11
- NEMA Type 3R

Finish

- ANSI 61 gray painted finish

Accessories

- CT mounting base
- Lug kits
- Touch-up paint



Current Transformers

Part/UPC Number	Catalog Number	Service Type	# CT Provisions	Phase Conductor Lug Ranges Line & Load	Ground Prov. (Qty)	Overall Dimensions			Knockout Layout
						Height	Width	Depth	
800 amps max./50 KAIC									
78205139309	363612DDHRTCT1N	3Ø/4W	3	(3) 4 AWG-600 KCMIL or (6) 1/0 AWG-250KCMIL (3) 4 AWG-600 KCMIL or (6) 1/0 AWG-250KCMIL	(1) #4-1/0 AWG	36"	36"	12"	NA
78205136715	484814DDHRTCT1N	3Ø/4W	3	(3) 4 AWG-600 KCMIL or (6) 1/0 AWG-250KCMIL (3) 4 AWG-600 KCMIL or (6) 1/0 AWG-250KCMIL	(1) #4-1/0 AWG	48"	48"	14"	NA

Data subject to change without notice. Consult local utility for area acceptance. All dimensions are in inches.