

# Single Meter Sockets - With Test Switch

CT Rated



ST02133N1AL1F

FW02133N2GR1F

## Application

- Single meter position
- Receive ANSI C12.10 watthour meters
- Surface mount

## Construction

- Ring type & ringless
- NEMA Type 3R
- ANSI 61 gray E-coat finish



## Standards

- UL 414 Listed
- ANSI C12.7

## Accessories

- AW Hub

Part/UPC Number	Catalog Number	Cover	Amp Rating	Jaws	Service Type	Bypass	Access	Material	Utility †
79903857524	ST02063N1GR1F	Ringless	CT	6	1Ø/3W	7 Pole	OH/UG	Galvaneal Steel	FP&L
78205158009	ST02063N1AL1F	Ringless	CT	6	1Ø/3W	7 Pole	OH/UG	Aluinium	FP&L
79903857525	ST02133N1GR1F	Ringless	CT	13	3Ø/4W	10 Pole	OH/UG	Galvaneal Steel	FP&L
78205158008	ST02133N1AL1F	Ringless	CT	13	3Ø/4W	10 Pole	OH/UG	Aluinium	FP&L
79903851718	SW02083N1GR1F	Ringless	CT	8	1Ø/3W	7 Pole	OH/UG	Galvaneal Steel	DUKE
79903851719	SW02083N1AL1F	Ringless	CT	8	1Ø/2W	7 Pole	OH/UG	Aluinium	DUKE
79903851716	SW02133N1GR1F	Ringless	CT	13	3Ø/4W	10 Pole	OH/UG	Galvaneal Steel	DUKE
79903851717	SW02133N1AL1F	Ringless	CT	13	3Ø/4W	10 Pole	OH/UG	Aluinium	DUKE
78205158012	FW02063N2GR1F	Ring Type	CT	6	1Ø/3W	7 Pole	OH/UG	Galvaneal Steel	TECO
79903857526	FW02063N2AL1F	Ring Type	CT	6	1Ø/3W	7 Pole	OH/UG	Aluinium	TECO
78205158013	FW02133N2GR2F	Ring Type	CT	13	3Ø/4W	10 Pole	OH/UG	Galvaneal Steel	TECO
79903857527	FW02133N2AL2F	Ring Type	CT	13	3Ø/4W	10 Pole	OH/UG	Aluinium	TECO

Part/UPC Number	Catalog Number	Line	Connections Load	Ground	Overall Dimensions			Top Provision	Knockout Layout
					Height	Width	Depth		
79903857524	ST02063N1GR1F	#10-32 Stud	#10-32 Stud	(2) #14 - 2/0	20"	12"	4 <sup>5</sup> / <sub>8</sub> "	AW Hub, Cap	Fig. 1
78205158009	ST02063N1AL1F	#10-32 Stud	#10-32 Stud	(2) #14 - 2/0	20"	12"	4 <sup>5</sup> / <sub>8</sub> "	AW Hub, Cap	Fig. 1
79903857525	ST02133N1GR1F	#10-32 Stud	#10-32 Stud	(2) #14 - 2/0	20"	12"	4 <sup>5</sup> / <sub>8</sub> "	AW Hub, Cap	Fig. 1
78205158008	ST02133N1AL1F	#10-32 Stud	#10-32 Stud	(2) #14 - 2/0	20"	12"	4 <sup>5</sup> / <sub>8</sub> "	AW Hub, Cap	Fig. 1
79903851718	SW02083N1GR1F	#10-32 Stud	#10-32 Stud	(2) #14 - 2/0	20"	12"	4 <sup>5</sup> / <sub>8</sub> "	AW Hub, Cap	Fig. 1
79903851719	SW02083N1AL1F	#10-32 Stud	#10-32 Stud	(2) #14 - 2/0	20"	12"	4 <sup>5</sup> / <sub>8</sub> "	AW Hub, Cap	Fig. 1
79903851716	SW02133N1GR1F	#10-32 Stud	#10-32 Stud	(2) #14 - 2/0	20"	12"	4 <sup>5</sup> / <sub>8</sub> "	AW Hub, Cap	Fig. 1
79903851717	SW02133N1AL1F	#10-32 Stud	#10-32 Stud	(2) #14 - 2/0	20"	12"	4 <sup>5</sup> / <sub>8</sub> "	AW Hub, Cap	Fig. 1
78205158012	FW02063N2GR1F	#10-32 Stud	#10-32 Stud	(2) #14 - 2/0	20"	12"	4 <sup>5</sup> / <sub>8</sub> "	AW Hub, Cap	Fig. 2
79903857526	FW02063N2AL1F	#10-32 Stud	#10-32 Stud	(2) #14 - 2/0	20"	12"	4 <sup>5</sup> / <sub>8</sub> "	AW Hub, Cap	Fig. 2
78205158013	FW02133N2GR2F	#10-32 Stud	#10-32 Stud	(2) #14 - 2/0	20"	12"	4 <sup>5</sup> / <sub>8</sub> "	AW Hub, Cap	Fig. 2
79903857527	FW02133N2AL2F	#10-32 Stud	#10-32 Stud	(2) #14 - 2/0	20"	12"	4 <sup>5</sup> / <sub>8</sub> "	AW Hub, Cap	Fig. 2

† Utilities shown are brand names of their respective owners.

Data subject to change without notice. Consult local utility for area acceptance. All dimensions are in inches.

# Single Meter Sockets - With Test Switch

CT Rated

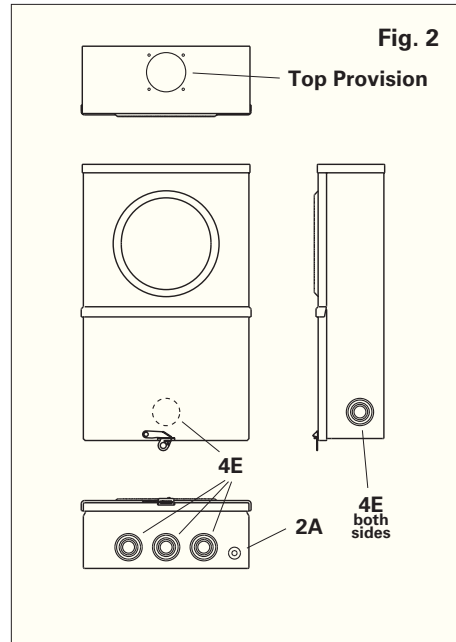
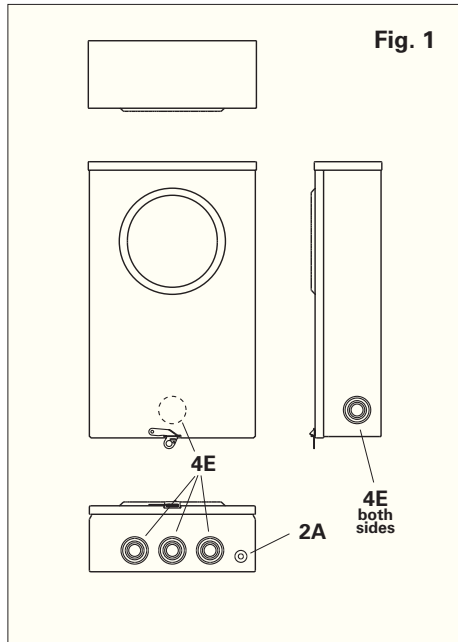
## Knockouts - Conduit Sizes

2A = 1/2" - 1/4"

4E = 1 1/2" - 1 1/4" - 1" - 3/4"

Top Provision = See Chart

## Knockout Layouts



Data subject to change without notice. Consult local utility for area acceptance. All dimensions are in inches.