

# Meter Equipment Group



*Powering Business Worldwide*

# Table of contents

<b>Introduction</b> .....	1
<b>Table of Contents</b> .....	2
<b>Single Meter Sockets - Without Bypass</b>	
125 & 200 Amp .....	4 - 5
<b>Single Meter Sockets - Lever Bypass</b>	
200 - 320 Amp .....	6 - 7
<b>Meter Mains - Without Bypass</b>	
125 & 200 Amp .....	8 - 9
<b>Meter Mains - With Lever Bypass</b>	
200 - 320 Amp .....	10 - 11
<b>Single Meter Sockets - With Test Switch</b>	
CT Rated .....	12 - 13
<b>CT Utility Enclosures</b>	
NEMA Type 3R .....	14 - 15
<b>Group Meter Sockets - Without Bypass</b>	
100 Amp Horizontal .....	16 - 17
<b>Group Meter Sockets - Lever Bypass</b>	
200 Amp Horizontal .....	18 - 19
<b>Group Meter Sockets - Without Bypass</b>	
125 & 200 Amp Vertical .....	20 - 21
<b>Universal Bussed Gutters</b>	
400 - 2000 Amp .....	22 - 23
<b>Bussed Gutters - With Knockouts</b>	
400 - 800 Amp .....	24 - 25
<b>Termination Enclosures</b>	
100 & 1200 Amp .....	26 - 27
<b>Disconnects - Air Conditioning</b>	
30 Amp Nonfusible, 30 & 60 Amp Fused, 60 Amp Nonfusible with GFCI Duplex Receptacle .....	28 - 29
<b>Accessories</b>	
AW Hubs, H-Base Hubs, Lug Kits, Stud/Lug Landing Pad Kits, Cap Set Screw Assemblies, Supplemental Ground Lug .....	30
Cap Set Screw Assemblies with Grounding Electrode Connector, Horned Bypass Cap Assemblies, 5th & 7th Jaw Terminal Kits .....	31
<b>Miscellaneous Charts</b>	
Utility Approvals, Sockets Jaw Locations .....	32



UL Recognized Component

## NOTICE

*Eaton's B-Line Business reserves the right to change the specifications, materials, equipment, prices or the availability of products at any time without prior notice. While every effort has been made to assure the accuracy of information contained in this catalog at the time of publication, we are not responsible for inaccuracies resulting from undetected errors or omissions.*

Data subject to change without notice. Consult local utility for area acceptance. All dimensions are in inches.



EN12L43GR1F (open)



EN12L43GR1F (closed)

### Application

- Single meter position
- Receive ANSI C12.10 watt-hour meters
- Surface mount

### Construction

- Ringless cover
- NEMA Type 3R
- ANSI 61 gray E-coat finish



### Standards

- UL 414 Listed
- ANSI C12.7

### Accessories

- 5th Jaw Kit - 50365
- 200A Triplex Ground - ETB200
- AW Hub

Part/UPC Number	Catalog Number	Amp Rating	Jaws	Service Type	Access	Connections	
						Line	Load
79903855118	EN12L41GR1F	125	4	1Ø/3W	OH	#14 - 2/0	#14 - 2/0
79903855119	EN12L42GR1F	125	4	1Ø/3W	UG	#14 - 2/0	#14 - 2/0
79903855120	EN12L43GR1F	125	4	1Ø/3W	OH/UG	#14 - 2/0	#14 - 2/0
79903855133	EN12L51GR1F	125	5	1Ø/3W	OH	#14 - 2/0	#14 - 2/0
79903855134	EN12L52GR1F	125	5	1Ø/3W	UG	#14 - 2/0	#14 - 2/0
79903855135	EN12L53GR1F	125	5	1Ø/3W	OH/UG	#14 - 2/0	#14 - 2/0
79903855139	EN20L41GR1F	200	4	1Ø/3W	OH	#6 - 350MCM	#6 - 350MCM
79903855140	EN20L42GR1F	200	4	1Ø/3W	UG	#6 - 350MCM	#6 - 350MCM
79903855141	EN20L43GR1F	200	4	1Ø/3W	OH/UG	#6 - 350MCM	#6 - 350MCM
79903855148	EN20L51GR1F	200	5	1Ø/3W	OH	#6 - 350MCM	#6 - 350MCM
79903855149	EN20L52GR1F	200	5	1Ø/3W	UG	#6 - 350MCM	#6 - 350MCM
79903855150	EN20L53GR1F	200	5	1Ø/3W	OH/UG	#6 - 350MCM	#6 - 350MCM

Part/UPC Number	Catalog Number	Overall Dimensions			Top Provision	Knockout Layout
		Height	Width	Depth		
79903855118	EN12L41GR1F	12"	8"	4 <sup>5</sup> / <sub>8</sub> "	AW Hub	Fig. 1
79903855119	EN12L42GR1F	12"	12"	4 <sup>5</sup> / <sub>8</sub> "	--	Fig. 2
79903855120	EN12L43GR1F	12"	12"	4 <sup>5</sup> / <sub>8</sub> "	AW Hub, Cap	Fig. 3
79903855133	EN12L51GR1F	12"	8"	4 <sup>5</sup> / <sub>8</sub> "	AW Hub	Fig. 1
79903855134	EN12L52GR1F	12"	12"	4 <sup>5</sup> / <sub>8</sub> "	--	Fig. 2
79903855135	EN12L53GR1F	12"	12"	4 <sup>5</sup> / <sub>8</sub> "	AW Hub, Cap	Fig. 3
79903855139	EN20L41GR1F	15"	8"	4 <sup>5</sup> / <sub>8</sub> "	AW Hub	Fig. 4
79903855140	EN20L42GR1F	15"	12"	4 <sup>5</sup> / <sub>8</sub> "	--	Fig. 5
79903855141	EN20L43GR1F	15"	12"	4 <sup>5</sup> / <sub>8</sub> "	AW Hub, Cap	Fig. 5
79903855148	EN20L51GR1F	15"	8"	4 <sup>5</sup> / <sub>8</sub> "	AW Hub	Fig. 4
79903855149	EN20L52GR1F	15"	12"	4 <sup>5</sup> / <sub>8</sub> "	--	Fig. 5
79903855150	EN20L53GR1F	15"	12"	4 <sup>5</sup> / <sub>8</sub> "	AW Hub, Cap	Fig. 5

Data subject to change without notice. Consult local utility for area acceptance. All dimensions are in inches.

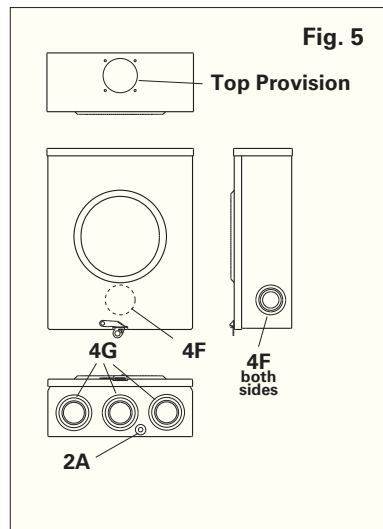
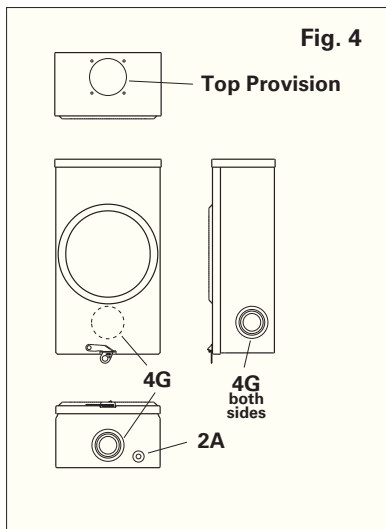
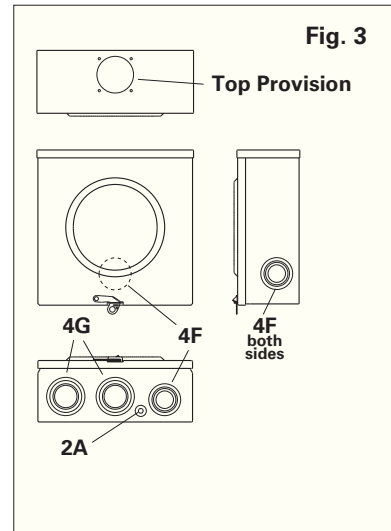
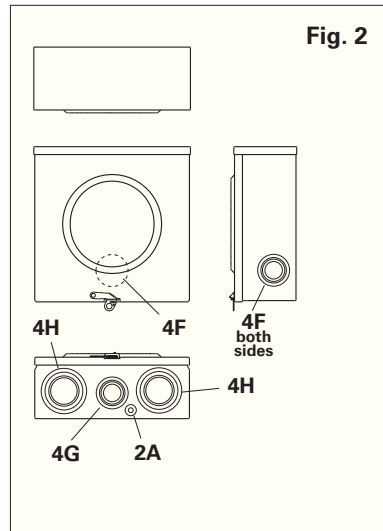
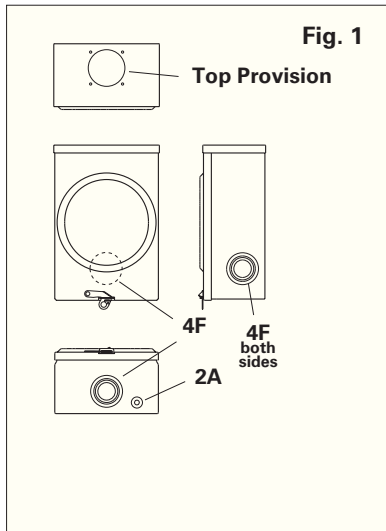
# Single Meter Sockets - Without Bypass

125 & 200 Amp

## Knockouts - Conduit Sizes

2A = 1/2" - 1/4"  
 4F = 2" - 1 1/2" - 1 1/4" - 1"  
 4G = 2 1/2" - 2" - 1 1/2" - 1 1/4"  
 4H = 3" - 2 1/2" - 2" - 1 1/2"  
 Top Provision = See Chart

## Knockout Layouts



Data subject to change without notice. Consult local utility for area acceptance. All dimensions are in inches.



**EL20L71GR1F (closed)**



**EL20L71GR1F (open)**

### Application

- Single meter position
- Receive ANSI C12.10 watt-hour meters
- Surface mount

### Construction

- Ringless cover
- NEMA Type 3R
- ANSI 61 gray E-coat finish



### Standards

- UL 414 Listed
- ANSI C12.7

### Accessories

- 5th Jaw Kit - 50366
- 200A Triplex Ground - ETB200
- AW Hub, H Hub
- 7th Jaw Kit - 50368

Part/UPC Number	Catalog Number	Amp Rating	Jaws	Service Type	Bypass	Access	Connections	
							Line	Load
79903855153	<b>EL20L53GR1F</b>	200	5	1Ø/3W	Lever	OH/UG	#6 - 350MCM	#6 - 350MCM
79903855154	<b>EL20L73GR1F</b>	200	7	3Ø/4W	Lever	OH/UG	#6 - 350MCM	#6 - 350MCM
79903855159	<b>EL32T53GR1F</b>	320	5	1Ø/3W	Lever	OH/UG	(2) 1/0 - 250MCM	(2) 1/0 - 250MCM
79903855160	<b>EL32T56GR1F</b>	320	5	1Ø/3W	Lever	OH/UG	3/8" Studs	3/8" Studs
79903855161	<b>EL32T75GR1F</b>	320	7	3Ø/4W	Lever	OH/UG	3/8" Studs	3/8" Studs
79903855162	<b>EL32T76GR1F</b>	320	7	3Ø/4W	Lever	OH/UG	3/8" Studs	3/8" Studs

Part/UPC Number	Catalog Number	Overall Dimensions			Top Provision	Knockout Layout
		Height	Width	Depth		
79903855153	<b>EL20L53GR1F</b>	19 <sup>1</sup> / <sub>8</sub> "	13 <sup>3</sup> / <sub>4</sub> "	5"	AW Hub, Cap	Fig. 1
79903855154	<b>EL20L73GR1F</b>	21 <sup>1</sup> / <sub>4</sub> "	13 <sup>3</sup> / <sub>4</sub> "	5"	AW Hub, Cap	Fig. 1
79903855159	<b>EL32T53GR1F</b>	36 <sup>5</sup> / <sub>8</sub> "	16"	6 <sup>1</sup> / <sub>2</sub> "	H Hub, Cap	Fig. 2
79903855160	<b>EL32T56GR1F</b>	36 <sup>5</sup> / <sub>8</sub> "	18 <sup>1</sup> / <sub>4</sub> "	6 <sup>1</sup> / <sub>2</sub> "	H Hub, Cap	Fig. 3
79903855161	<b>EL32T75GR1F</b>	38 <sup>5</sup> / <sub>8</sub> "	18 <sup>1</sup> / <sub>4</sub> "	6 <sup>1</sup> / <sub>2</sub> "	H Hub, Cap	Fig. 4
79903855162	<b>EL32T76GR1F</b>	39 <sup>1</sup> / <sub>8</sub> "	20 <sup>1</sup> / <sub>4</sub> "	6 <sup>1</sup> / <sub>2</sub> "	H Hub, Cap	Fig. 3

Data subject to change without notice. Consult local utility for area acceptance. All dimensions are in inches.

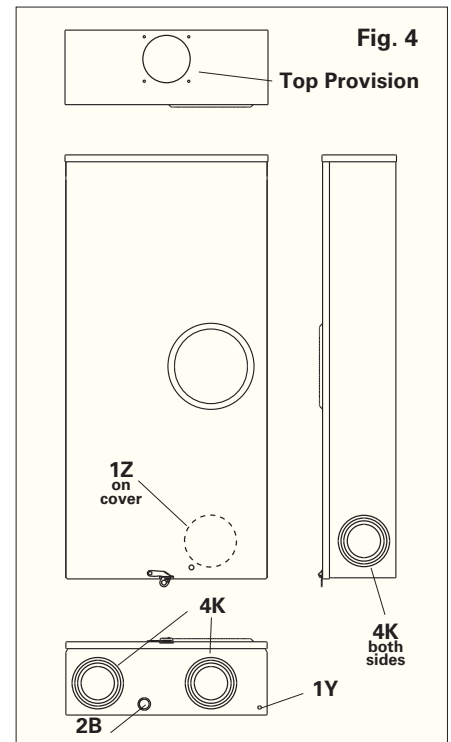
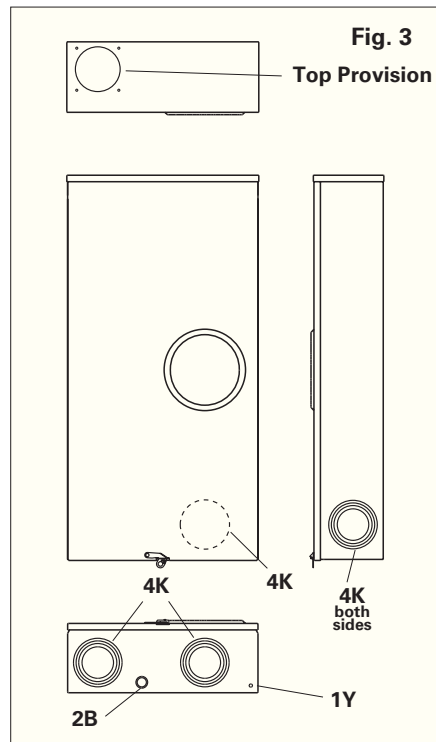
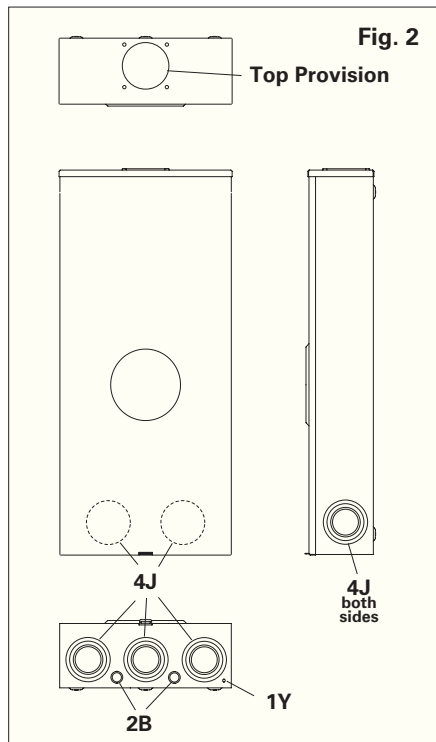
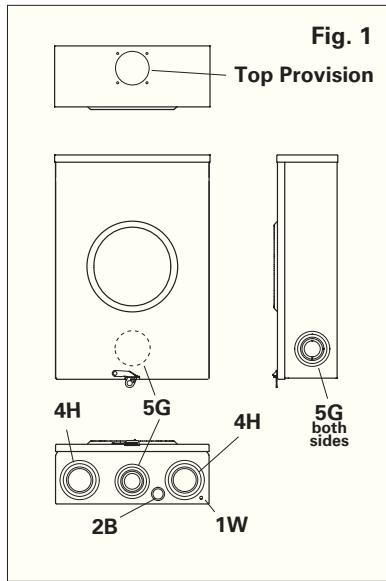
# Single Meter Sockets - Lever Bypass

125 - 320 Amp

## Knockouts - Conduit Sizes

- 1V = 1/4" diameter hole
- 1W = 1/4"
- 1Y = 5/16"
- 2B = 3/4" - 1/2"
- 4H = 3" - 2 1/2" - 2" - 1 1/2"
- 4J = 3 1/2" - 3" - 2 1/2" - 2"
- 4K = 4" - 3 1/2" - 3" - 2 1/2"
- 5G = 2 1/2" - 2" - 1 1/2" - 1 1/4" - 1"
- Top Provision = See Chart

### Knockout Layouts



Data subject to change without notice. Consult local utility for area acceptance. All dimensions are in inches.



**ENC20L24A3GR1F**  
(closed)



**ENC20L24A3GR1F**  
(open)

### Application

- Single meter position
- Receive ANSI C12.10 watt-hour meters
- Surface mount

### Construction

- Ringless cover
- NEMA Type 3R
- ANSI 61 gray E-coat finish



### Standards

- UL 414 Listed
- ANSI C12.7

### Accessories

- 5th Jaw Kit - 50365
- AW Hub

Part/UPC Number	Catalog Number	Amp Rating	Jaws	Service Type	Access	Main Breaker		
						Voltage	AIC	Main
79903855171	<b>ENCB10L25A3GR1F</b>	125	5	1Ø/3W	OH/UG	120/240	10K	(1) 100A, 2P
79903855172	<b>ENCB15L25A3GR1F</b>	200	5	1Ø/3W	OH/UG	120/240	10K	(1) 150A, 2P
79903855173	<b>ENCB20L25A3GR1F</b>	200	5	1Ø/3W	OH/UG	120/240	10K	(1) 200A, 2P

Part/UPC Number	Catalog Number	Connections			Overall Dimensions			Top Provision	Knockout Layout
		Line	Load	Neutral	Height	Width	Depth		
79903855171	<b>ENCB10L25A3GR1F</b>	#14 - 2/0	#10 - 2/0	#14 - 2/0	29 1/8"	13"	5"	AW Hub, Cap	Fig. 1
79903855172	<b>ENCB15L25A3GR1F</b>	#6 - 350MCM	#4 - 4/0	#6 - 350MCM	34 1/8"	13"	5"	AW Hub, Cap	Fig. 2
79903855173	<b>ENCB20L25A3GR1F</b>	#6 - 350MCM	2/0 - 300MCM	#6 - 350MCM	34 1/8"	13"	5"	AW Hub, Cap	Fig. 2

Data subject to change without notice. Consult local utility for area acceptance. All dimensions are in inches.

# Meter Mains - Without Bypass

125 & 200 Amp

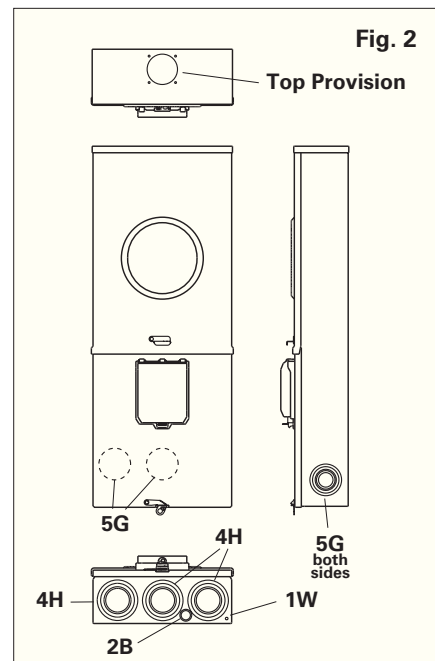
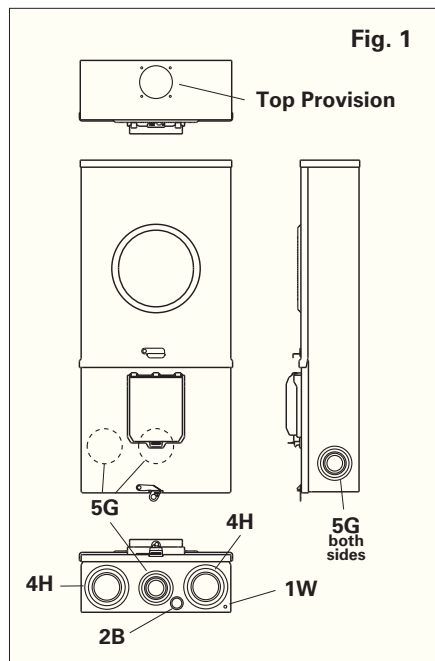
## Main Breaker Data

Catalog Number	B-Line Breaker #	Eaton Breaker #	Amps	Voltage	Poles	AIC
ENCB10L25A3GR1F	CBLA047458	BR2100	100	240	2P	10K
ENCB15L25A3GR1F	CBLC019307	CC2150X	150	240	2P	10K
ENCB20L25A3GR1F	CBLC019301	CCV2200X	200	240	2P	10K

## Knockouts - Conduit Sizes

1W = 1/4"  
 2B = 3/4" - 1/2"  
 4H = 3" - 2 1/2" - 2" - 1 1/2"  
 5G = 2 1/2" - 2" - 1 1/2" - 1 1/4" - 1"  
 Top Provision = See Chart

## Knockout Layouts



Data subject to change without notice. Consult local utility for area acceptance. All dimensions are in inches.





**ECCB10L27A3GR1F**  
(closed)



**ECCB10L27A3GR1F**  
(open)

### Application

- Single meter position
- Receive ANSI C12.10 watt-hour meters
- Surface mount

### Construction

- Ringless cover
- NEMA Type 3R
- ANSI 61 gray E-coat finish



### Standards

- UL 414 Listed
- ANSI C12.7

### Accessories

- 5th Jaw Kit - 50366
- 7th Jaw Kit - 50368
- AW Hub

Part/UPC Number	Catalog Number	Amp Rating	Jaws	Service Type	Bypass	Access	Main Breaker		
							Voltage	AIC	Main
79903855176	<b>ELCB20L25A3GR1F</b>	200	5	1Ø/3W	Lever	OH/UG	120/240	10K	(1) 200A, 2P
79903855177	<b>ELCB20L27A3GR1F</b>	200	7	3Ø/4W	Lever	OH/UG	120/240	10K	(1) 200A, 3P
79903855178	<b>ELCB32C25A5GR1F</b>	320	5	1Ø/3W	Lever	OH/UG	120/240	10K	(2) 200A, 2P

Part/UPC Number	Catalog Number	Connections			Overall Dimensions			Top Provision	Knockout Layout
		Line	Load	Neutral	Height	Width	Depth		
79903855176	<b>ELCB20L25A3GR1F</b>	#6 - 350MCM	2/0 - 300MCM	#6 - 350MCM	34 <sup>1</sup> / <sub>8</sub> "	13"	5"	AW Hub, Cap	Fig. 1
79903855177	<b>ELCB20L27A3GR1F</b>	#6 - 350MCM	2/0 - 300MCM	#6 - 350MCM	34 <sup>1</sup> / <sub>8</sub> "	13"	5"	AW Hub, Cap	Fig. 1
79903855178	<b>ELCB32C25A5GR1F</b>	<sup>3</sup> / <sub>8</sub> " Studs	2/0 - 300MCM	<sup>3</sup> / <sub>8</sub> " Studs / #6 - 350MCM	34 <sup>1</sup> / <sub>8</sub> "	13"	5"	AW Hub, Cap	Fig. 2

Data subject to change without notice. Consult local utility for area acceptance. All dimensions are in inches.

# Meter Mains - With Lever Bypass

125 - 320 Amp

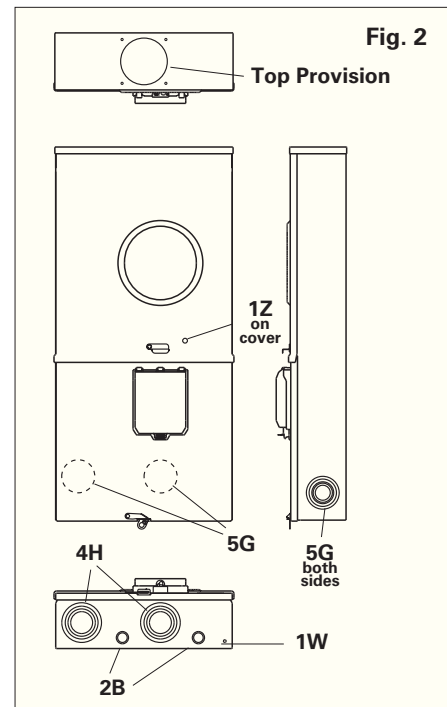
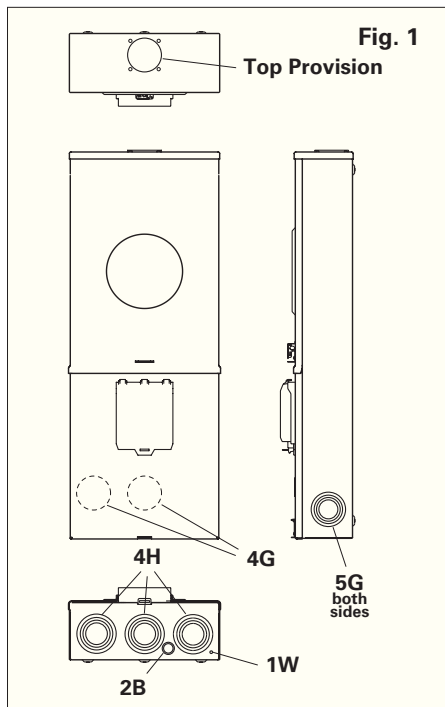
## Main Breaker Data

Catalog Number	B-Line Breaker #	Eaton Breaker #	Amps	Voltage	Poles	AIC
ELCB20L25A3GR1F	CBLC019301	CCV2200X	200	240	2P	10K
ELCB20L27A3GR1F	CBLC019306	CC3200X	200	240	3P	10K
ELCB32C24A5GR1F	CBLA047485	CCV2200	200	240	2P	10K

## Knockouts - Conduit Sizes

1W = 1/4"  
 1Z = 7/16"  
 2B = 3/4" - 1/2"  
 4G = 2 1/2" - 2" - 1 1/2" - 1 1/4"  
 4H = 3" - 2 1/2" - 2" - 1 1/2"  
 5G = 2 1/2" - 2" - 1 1/2" - 1 1/4" - 1"  
 Top Provision = See Chart

## Knockout Layouts



Data subject to change without notice. Consult local utility for area acceptance. All dimensions are in inches.

# Single Meter Sockets - With Test Switch

CT Rated



ST02133N1AL1F

FW02133N2GR1F

## Application

- Single meter position
- Receive ANSI C12.10 watthour meters
- Surface mount

## Construction

- Ring type & ringless
- NEMA Type 3R
- ANSI 61 gray E-coat finish



## Standards

- UL 414 Listed
- ANSI C12.7

## Accessories

- AW Hub

Part/UPC Number	Catalog Number	Cover	Amp Rating	Jaws	Service Type	Bypass	Access	Material	Utility †
79903857524	ST02063N1GR1F	Ringless	CT	6	1Ø/3W	7 Pole	OH/UG	Galvaneal Steel	FP&L
78205158009	ST02063N1AL1F	Ringless	CT	6	1Ø/3W	7 Pole	OH/UG	Aluinium	FP&L
79903857525	ST02133N1GR1F	Ringless	CT	13	3Ø/4W	10 Pole	OH/UG	Galvaneal Steel	FP&L
78205158008	ST02133N1AL1F	Ringless	CT	13	3Ø/4W	10 Pole	OH/UG	Aluinium	FP&L
79903851718	SW02083N1GR1F	Ringless	CT	8	1Ø/3W	7 Pole	OH/UG	Galvaneal Steel	DUKE
79903851719	SW02083N1AL1F	Ringless	CT	8	1Ø/2W	7 Pole	OH/UG	Aluinium	DUKE
79903851716	SW02133N1GR1F	Ringless	CT	13	3Ø/4W	10 Pole	OH/UG	Galvaneal Steel	DUKE
79903851717	SW02133N1AL1F	Ringless	CT	13	3Ø/4W	10 Pole	OH/UG	Aluinium	DUKE
78205158012	FW02063N2GR1F	Ring Type	CT	6	1Ø/3W	7 Pole	OH/UG	Galvaneal Steel	TECO
79903857526	FW02063N2AL1F	Ring Type	CT	6	1Ø/3W	7 Pole	OH/UG	Aluinium	TECO
78205158013	FW02133N2GR2F	Ring Type	CT	13	3Ø/4W	10 Pole	OH/UG	Galvaneal Steel	TECO
79903857527	FW02133N2AL2F	Ring Type	CT	13	3Ø/4W	10 Pole	OH/UG	Aluinium	TECO

Part/UPC Number	Catalog Number	Connections			Overall Dimensions			Top Provision	Knockout Layout
		Line	Load	Ground	Height	Width	Depth		
79903857524	ST02063N1GR1F	#10-32 Stud	#10-32 Stud	(2) #14 - 2/0	20"	12"	4 <sup>5</sup> / <sub>8</sub> "	AW Hub, Cap	Fig. 1
78205158009	ST02063N1AL1F	#10-32 Stud	#10-32 Stud	(2) #14 - 2/0	20"	12"	4 <sup>5</sup> / <sub>8</sub> "	AW Hub, Cap	Fig. 1
79903857525	ST02133N1GR1F	#10-32 Stud	#10-32 Stud	(2) #14 - 2/0	20"	12"	4 <sup>5</sup> / <sub>8</sub> "	AW Hub, Cap	Fig. 1
78205158008	ST02133N1AL1F	#10-32 Stud	#10-32 Stud	(2) #14 - 2/0	20"	12"	4 <sup>5</sup> / <sub>8</sub> "	AW Hub, Cap	Fig. 1
79903851718	SW02083N1GR1F	#10-32 Stud	#10-32 Stud	(2) #14 - 2/0	20"	12"	4 <sup>5</sup> / <sub>8</sub> "	AW Hub, Cap	Fig. 1
79903851719	SW02083N1AL1F	#10-32 Stud	#10-32 Stud	(2) #14 - 2/0	20"	12"	4 <sup>5</sup> / <sub>8</sub> "	AW Hub, Cap	Fig. 1
79903851716	SW02133N1GR1F	#10-32 Stud	#10-32 Stud	(2) #14 - 2/0	20"	12"	4 <sup>5</sup> / <sub>8</sub> "	AW Hub, Cap	Fig. 1
79903851717	SW02133N1AL1F	#10-32 Stud	#10-32 Stud	(2) #14 - 2/0	20"	12"	4 <sup>5</sup> / <sub>8</sub> "	AW Hub, Cap	Fig. 1
78205158012	FW02063N2GR1F	#10-32 Stud	#10-32 Stud	(2) #14 - 2/0	20"	12"	4 <sup>5</sup> / <sub>8</sub> "	AW Hub, Cap	Fig. 2
79903857526	FW02063N2AL1F	#10-32 Stud	#10-32 Stud	(2) #14 - 2/0	20"	12"	4 <sup>5</sup> / <sub>8</sub> "	AW Hub, Cap	Fig. 2
78205158013	FW02133N2GR2F	#10-32 Stud	#10-32 Stud	(2) #14 - 2/0	20"	12"	4 <sup>5</sup> / <sub>8</sub> "	AW Hub, Cap	Fig. 2
79903857527	FW02133N2AL2F	#10-32 Stud	#10-32 Stud	(2) #14 - 2/0	20"	12"	4 <sup>5</sup> / <sub>8</sub> "	AW Hub, Cap	Fig. 2

† Utilities shown are brand names of their respective owners.

Data subject to change without notice. Consult local utility for area acceptance. All dimensions are in inches.

# Single Meter Sockets - With Test Switch

CT Rated

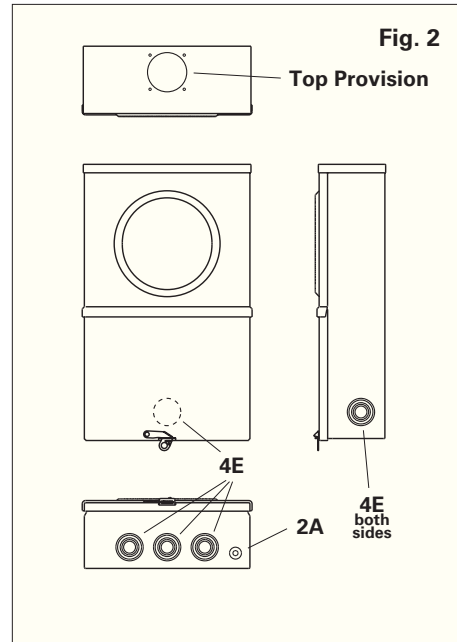
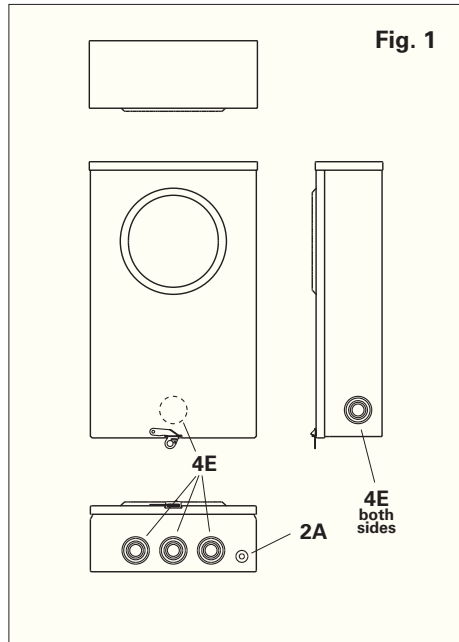
## Knockouts - Conduit Sizes

2A = 1/2" - 1/4"

4E = 1 1/2" - 1 1/4" - 1" - 3/4"

Top Provision = See Chart

## Knockout Layouts



Data subject to change without notice. Consult local utility for area acceptance. All dimensions are in inches.



**323410RTCT1FAL (closed)**



**323410RTCT1FAL (open)**

### Application

- Designed to house current transformers (CT)
- Used as wiring boxes, junction and pull boxes
- Protects against falling rain, sleet, and external ice formation
- Surface mount

### Construction

- NEMA Type 3R
- Mounting provisions installed
- Screw cover with padlock provisions for sealing cover to cabinet
- Universal mounting plate on adjustable channels for easier CT installation



### Standards

- UL 414 Listed

### Finish

- Aluminum - unpainted
- Steel - ANSI 61 gray powder coated

Part/UPC Number	Catalog Number	Cover	Overall Dimensions			Material	Utility †
			Height	Width	Depth		
79903857528	<b>323410 RTCT1F</b>	Lift Off	34"	32"	10"	Galvaneal Steel	FP&L
78205155913	<b>323410 RTCT1FAL</b>	Lift Off	34"	32"	10"	Aluminum	FP&L
79903857529	<b>323412 RTCT1F</b>	Lift Off	34"	32"	12"	Galvaneal Steel	FP&L, DUKE
78205155914	<b>323412 RTCT1FAL</b>	Lift Off	34"	32"	12"	Aluminum	FP&L, DUKE
79903857530	<b>304614.5 RTCT1F</b>	Lift Off	46"	30"	14 1/2"	Galvaneal Steel	FP&L, DUKE
78205155915	<b>304614.5 RTCT1FAL</b>	Lift Off	46"	30"	14 1/2"	Aluminum	FP&L, DUKE

† Utilities shown are brand names of their respective owners.

# CT Utility Enclosures

NEMA Type 3R



**24269DDHRTCT1FAL (closed)**



**24269DDHRTCT1FAL (open)**

### Application

- Designed to house current transformers (CT)
- Used as wiring boxes, junction and pull boxes
- Protects against falling rain, sleet, and external ice formation
- Surface mount

### Construction

- NEMA Type 3R
- Mounting provisions installed
- Doors have a quick-release padlock hasp with installed door stop mechanism
- Side louvers include filters and baffle plates

### Finish

- Aluminum - unpainted
- Steel - ANSI 61 gray powder coated

Part/UPC Number	Catalog Number	Cover	Overall Dimensions			Ground Lug	Material
			Height	Width	Depth		
79903857531	<b>24269 DDHRTCT1F *</b>	Double, Hinged	27"	24"	9"	(2) #14 - 2/0	Galvaneal Steel
78205155981	<b>24269 DDHRTCT1FAL *</b>	Double, Hinged	27"	24"	9"	(2) #14 - 2/0	Aluminum
79903857532	<b>363612 DDHRTCT1F *</b>	Double, Hinged	37"	36"	12"	(2) #14 - 2/0	Galvaneal Steel
78205155982	<b>363612 DDHRTCT1FAL *</b>	Double, Hinged	37"	36"	12"	(2) #14 - 2/0	Aluminum

\* Not UL Listed

† Utilities shown are brand names of their respective owners.

Data subject to change without notice. Consult local utility for area acceptance. All dimensions are in inches.



**HEN10433LGR1F (closed)**



**HEN10433LGR1F (open)**

### Application

- For multi-meter installations - 6 position maximum
- 225A and 400A main buss
- Receive ANSI C12.10 watt-hour meters
- Overhead & underground feed (see chart)
- Surface mount

### Construction

- Ringless cover
- NEMA Type 3R
- ANSI 61 gray E-coat finish
- 16 ga. galvanized/galvaneal steel



### Standards

- UL 414 Listed
- ANSI C12.7

### Accessories

- AW Hub assemblies
- 5th jaw kits - 50365
- Horn bypass lug caps

Part/UPC Number	Catalog Number	# of Positions	Bus Amps	Amp Rating	Jaws	Service	Access	Phase & Neutral Conductors Line	Load
79903855214	<b>HEN10432LGR1F</b>	2	225	100	4	1Ø/3W	OH/UG	#6 - 350MCM	#14 - 2/0
79903855215	<b>HEN10433LGR1F</b>	3	225	100	4	1Ø/3W	OH/UG	#6 - 350MCM	#14 - 2/0
79903855216	<b>HEN10434LGR1F</b>	4	225	100	4	1Ø/3W	OH/UG	#6 - 350MCM	#14 - 2/0
79903855217	<b>HEN10435LGR1F</b>	5	400	100	4	1Ø/3W	OH/UG	#6 - 350MCM	#14 - 2/0
79903855218	<b>HEN10436LGR1F</b>	6	400	100	4	1Ø/3W	OH/UG	#6 - 350MCM	#14 - 2/0

Part/UPC Number	Catalog Number	Overall Dimensions			Top Provision	Knockout Layout
		Height	Width	Depth		
79903855214	<b>HEN10432LGR1F</b>	18"	20 <sup>1</sup> / <sub>2</sub> "	4 <sup>5</sup> / <sub>8</sub> "	(2) AW Hub, Cap	Fig. 1
79903855215	<b>HEN10433LGR1F</b>	18"	28 <sup>3</sup> / <sub>4</sub> "	4 <sup>5</sup> / <sub>8</sub> "	(2) AW Hub, Cap	Fig. 2
79903855216	<b>HEN10434LGR1F</b>	18"	37"	4 <sup>5</sup> / <sub>8</sub> "	(2) AW Hub, Cap	Fig. 3
79903855217	<b>HEN10435LGR1F</b>	18"	49 <sup>1</sup> / <sub>8</sub> "	4 <sup>5</sup> / <sub>8</sub> "	(2) AW Hub, Cap	Fig. 4
79903855218	<b>HEN10436LGR1F</b>	18"	57 <sup>3</sup> / <sub>8</sub> "	4 <sup>5</sup> / <sub>8</sub> "	(2) AW Hub, Cap	Fig. 5

Data subject to change without notice. Consult local utility for area acceptance. All dimensions are in inches.

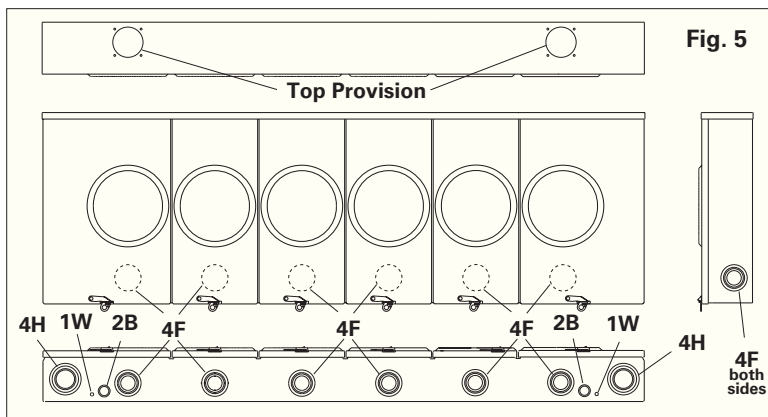
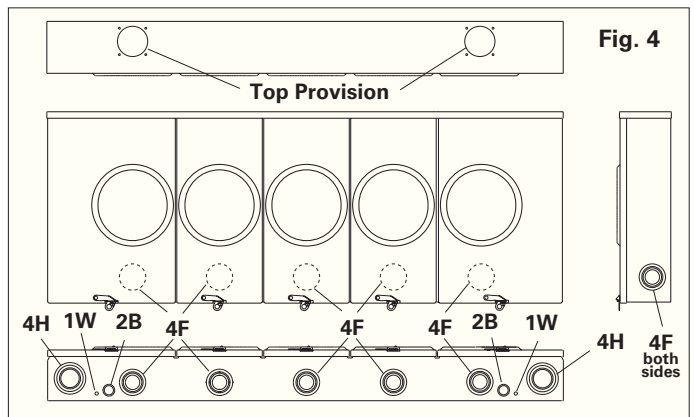
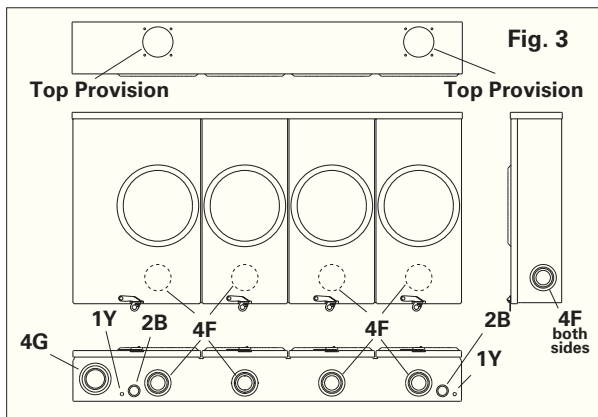
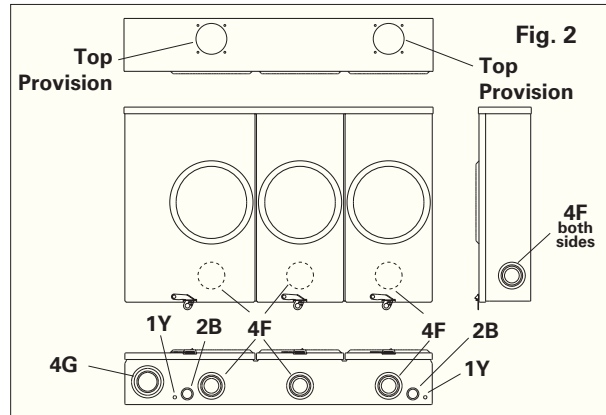
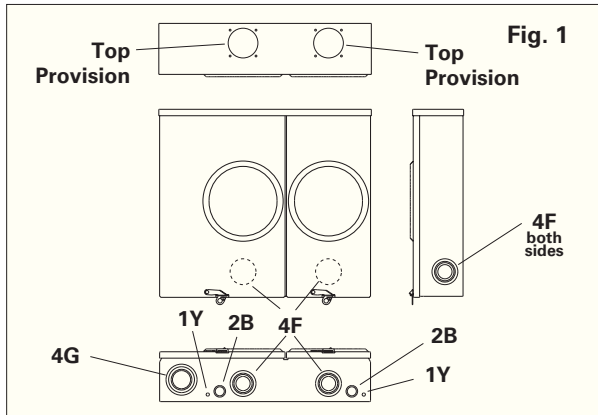
# Group Meter Sockets - Without Bypass

100 Amp Horizontal

## Knockouts - Conduit Sizes

1W = 1/4"  
 1Y = 5/16"  
 2B = 3/4" - 1/2"  
 4F = 2" - 1 1/2" - 1 1/4" - 1"  
 4G = 2 1/2" - 2" - 1 1/2" - 1 1/4"  
 4H = 3" - 2 1/2" - 2" - 1 1/2"  
 Top Provision = See Chart

## Knockout Layouts



Data subject to change without notice. Consult local utility for area acceptance. All dimensions are in inches.





**HEL20434CGR1F (closed)**



**HEL20434CGR1F (open)**

### Application

- For multi-meter installations - 6 position maximum
- 400A and 600A main buss
- Receive ANSI C12.10 watthour meters
- Overhead & underground feed (see chart)
- Surface mount

### Construction

- Ringless cover
- NEMA Type 3R
- ANSI 61 gray E-coat finish
- 16 ga. galvanized/galvaneal steel
- 6 o'clock/9 o'clock positionable 5th jaw



### Standards

- UL 414 Listed
- ANSI C12.7

### Accessories

- AW & H hub assemblies
- 5th jaw kits - 50366

Part/UPC Number	Catalog Number	# of Positions	Bus Amps	Amp Rating	Jaws	Service Type	Bypass	Access
79902855234	<b>HEL20432CGR1F</b>	2	400	200	5	1Ø/3W	Lever	OH/UG
79902855235	<b>HEL20433CGR1F</b>	3	400	200	5	1Ø/3W	Lever	OH/UG
79902855236	<b>HEL20434CGR1F</b>	4	400	200	5	1Ø/3W	Lever	OH/UG
79902855237	<b>HEL20435CGR1F</b>	5	600	200	5	1Ø/3W	Lever	OH/UG
79902855239	<b>HEL20436CGR1F</b>	6	600	200	5	1Ø/3W	Lever	OH/UG
79902855222	<b>HEL20732CGR1F</b>	2	400	200	7	3Ø/4W	Lever	OH/UG
79902855223	<b>HEL20733CGR1F</b>	3	400	200	7	3Ø/4W	Lever	OH/UG
79902855224	<b>HEL20734CGR1F</b>	4	400	200	7	3Ø/4W	Lever	OH/UG
79902855225	<b>HEL20735CGR1F</b>	5	600	200	7	3Ø/4W	Lever	OH/UG
79902855226	<b>HEL20736CGR1F</b>	6	600	200	7	3Ø/4W	Lever	OH/UG

Part/UPC Number	Catalog Number	Phase & Line Conductors		Overall Dimensions			Top Provision	Knockout Layout
		Line	Load	Height	Width	Depth		
79902855234	<b>HEL20432CGR1F</b>	3/8" Studs	#6 - 350MCM	25"	30 <sup>3</sup> / <sub>4</sub> "	6"	(2) H Hub, Cap	Fig. 1
79902855235	<b>HEL20433CGR1F</b>	3/8" Studs	#6 - 350MCM	25"	41"	6"	(2) H Hub, Cap	Fig. 2
79902855236	<b>HEL20434CGR1F</b>	3/8" Studs	#6 - 350MCM	25"	51 <sup>1</sup> / <sub>4</sub> "	6"	(2) H Hub, Cap	Fig. 3
79902855237	<b>HEL20435CGR1F</b>	3/8" Studs	#6 - 350MCM	25"	61 <sup>1</sup> / <sub>2</sub> "	6"	(2) H Hub, Cap	Fig. 4
79902855239	<b>HEL20436CGR1F</b>	3/8" Studs	#6 - 350MCM	25"	71 <sup>3</sup> / <sub>4</sub> "	6"	(2) H Hub, Cap	Fig. 5
79902855222	<b>HEL20732CGR1F</b>	3/8" Studs	#6 - 350MCM	25"	30 <sup>3</sup> / <sub>4</sub> "	6"	(2) H Hub, Cap	Fig. 1
79902855222	<b>HEL20733CGR1F</b>	3/8" Studs	#6 - 350MCM	25"	41"	6"	(2) H Hub, Cap	Fig. 2
79902855223	<b>HEL20734CGR1F</b>	3/8" Studs	#6 - 350MCM	25"	51 <sup>1</sup> / <sub>4</sub> "	6"	(2) H Hub, Cap	Fig. 3
79902855225	<b>HEL20735CGR1F</b>	3/8" Studs	#6 - 350MCM	25"	61 <sup>1</sup> / <sub>2</sub> "	6"	(2) H Hub, Cap	Fig. 4
79902855226	<b>HEL20736CGR1F</b>	3/8" Studs	#6 - 350MCM	25"	71 <sup>3</sup> / <sub>4</sub> "	6"	(2) H Hub, Cap	Fig. 5

Data subject to change without notice. Consult local utility for area acceptance. All dimensions are in inches.

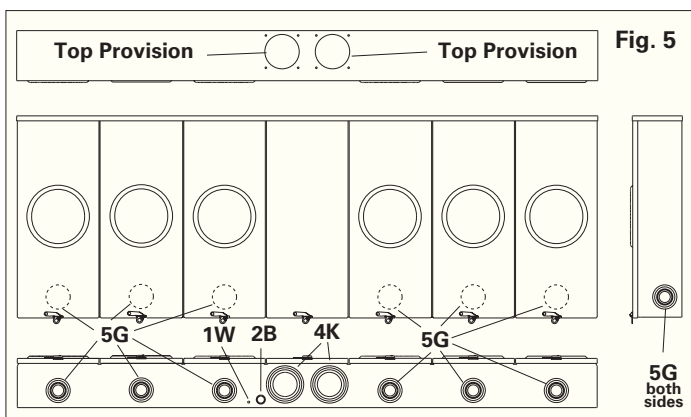
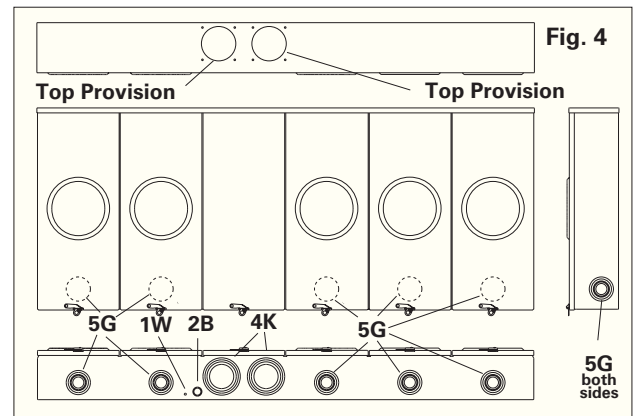
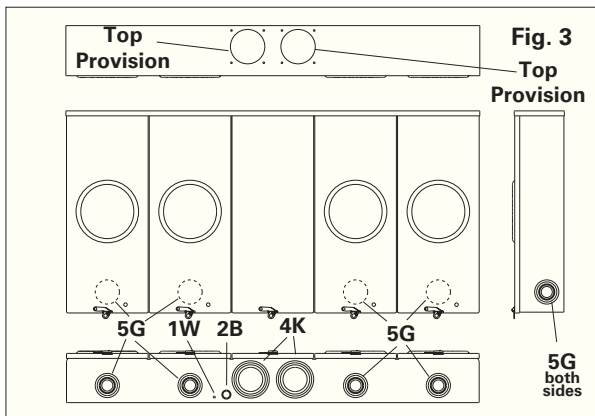
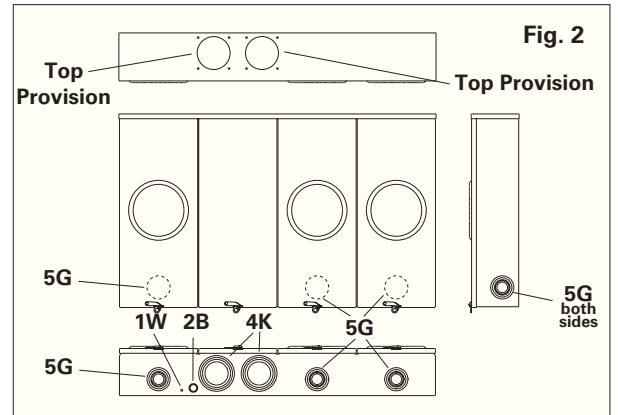
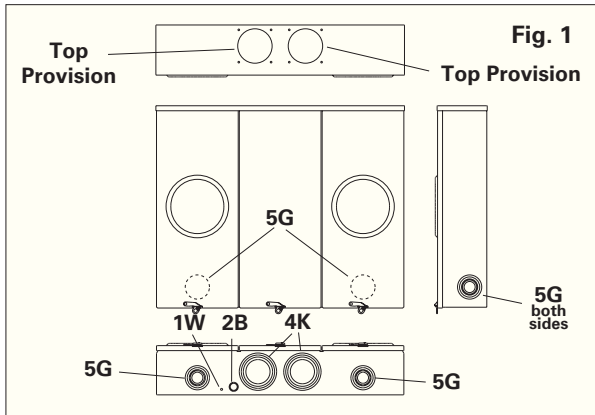
# Group Meter Sockets - Lever Bypass

200 Amp Horizontal

## Knockouts - Conduit Sizes

1W = 1/4" dia.  
 2B = 3/4" - 1/2"  
 4K = 4" - 3 1/2" - 3" - 2 1/2"  
 5G = 2 1/2" - 2" - 1 1/2" - 1 1/4" - 1"  
 Top Provision = See Chart)

## Knockout Layouts



Data subject to change without notice. Consult local utility for area acceptance. All dimensions are in inches.



VENMP20435LGR1F (closed)



VENMP20435LGR1F (open)

### Application

- For multi-meter installations - 6 position maximum
- 550A maximum main buss
- Receive ANSI C12.10 watthour meters
- Overhead & underground feed (see chart)
- Surface mount

### Construction

- Ringless cover
- NEMA Type 3R
- ANSI 61 gray E-coat finish
- 16 ga. galvanized/galvaneal steel



### Standards

- UL 414 Listed
- ANSI C12.7

### Accessories

- AW Hub assemblies
- 5th jaw kits - 50365
- Horn bypass lug caps

Part/UPC Number	Catalog Number	# of Positions	Bus Amps	Amp Rating	Jaws	Service Type	Access	Provisions
79902855203	VENMP12432LGR1F	2	200	125	4	1Ø/3W	OH/UG	(2) 2P
79902855204	VENMP12433LGR1F	3	200	125	4	1Ø/3W	OH/UG	(3) 2P
79902855205	VENMP12434LGR1F	4	400	125	4	1Ø/3W	OH/UG	(4) 2P
79902855206	VENMP12435LGR1F	5	400	125	4	1Ø/3W	OH/UG	(5) 2P
79902855207	VENMP12436LGR1F	6	400	125	4	1Ø/3W	OH/UG	(6) 2P
79902855209	VENMP20432LGR1F	2	400	200	4	1Ø/3W	OH/UG	(2) 2P
79902855210	VENMP20433LGR1F	3	400	200	4	1Ø/3W	OH/UG	(3) 2P
79902855211	VENMP20434LGR1F	4	550	200	4	1Ø/3W	OH/UG	(4) 2P
79902855212	VENMP20435LGR1F	5	550	200	4	1Ø/3W	OH/UG	(5) 2P
79902855213	VENMP20436LGR1F	6	550	200	4	1Ø/3W	OH/UG	(6) 2P

Part/UPC Number	Catalog Number	Phase & Neutral Conductors Line	Load	Overall Dimensions			Top Provision	Knockout Layout
				Height	Width	Depth		
79902855203	VENMP12432LGR1F	3/8" Studs	MCB / #10 - 1/0	29 1/4"	22 3/4"	5"	H Hub, Cap	Fig. 1
79902855204	VENMP12433LGR1F	3/8" Studs	MCB / #10 - 1/0	41 1/4"	22 3/4"	5"	H Hub, Cap	Fig. 2
79902855205	VENMP12434LGR1F	3/8" Studs	MCB / #10 - 1/0	29 1/4"	37 1/2"	5"	H Hub, Cap	Fig. 3
79902855206	VENMP12435LGR1F	3/8" Studs	MCB / #10 - 1/0	41 1/4"	37 1/2"	5"	H Hub, Cap	Fig. 4
79902855207	VENMP12436LGR1F	3/8" Studs	MCB / #10 - 1/0	41 1/4"	37 1/2"	5"	H Hub, Cap	Fig. 5
79902855209	VENMP20432LGR1F	3/8" Studs	MCB / #6 - 350MCM	29 1/4"	22 3/4"	5"	H Hub, Cap	Fig. 1
79902855210	VENMP20433LGR1F	3/8" Studs	MCB / #6 - 350MCM	41 1/4"	22 3/4"	5"	H Hub, Cap	Fig. 2
79902855211	VENMP20434LGR1F	3/8" Studs	MCB / #6 - 350MCM	29 1/4"	37 1/2"	5"	H Hub, Cap	Fig. 3
79902855212	VENMP20435LGR1F	3/8" Studs	MCB / #6 - 350MCM	41 1/4"	37 1/2"	5"	H Hub, Cap	Fig. 4
79902855213	VENMP20436LGR1F	3/8" Studs	MCB / #6 - 350MCM	41 1/4"	37 1/2"	5"	H Hub, Cap	Fig. 5

Data subject to change without notice. Consult local utility for area acceptance. All dimensions are in inches.

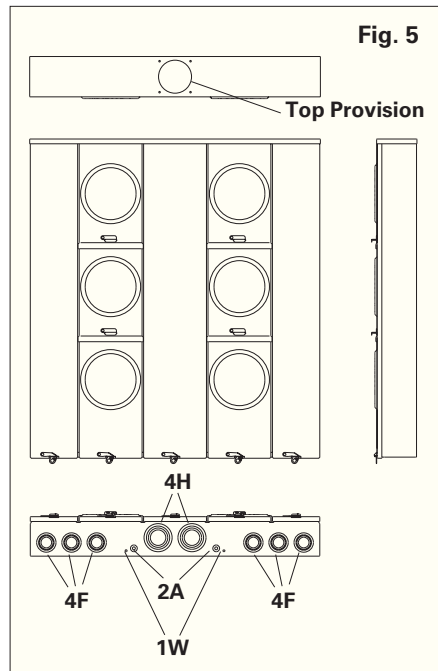
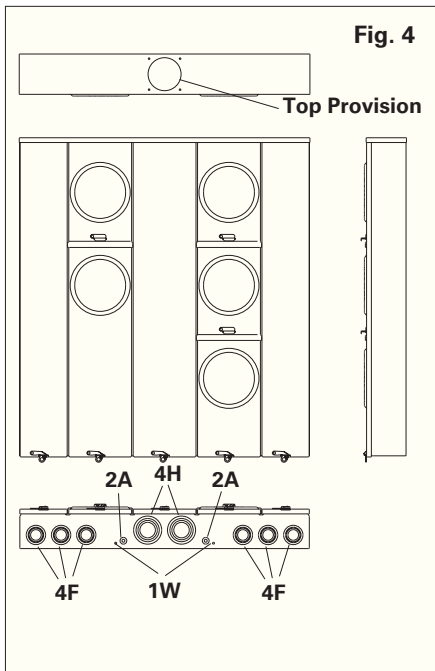
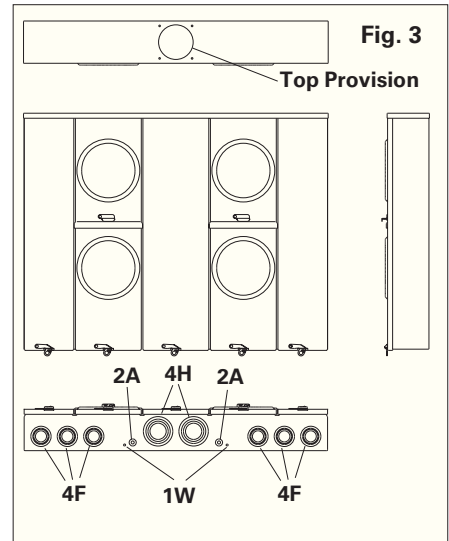
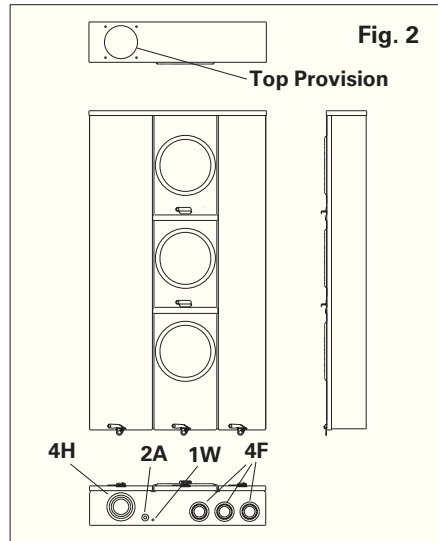
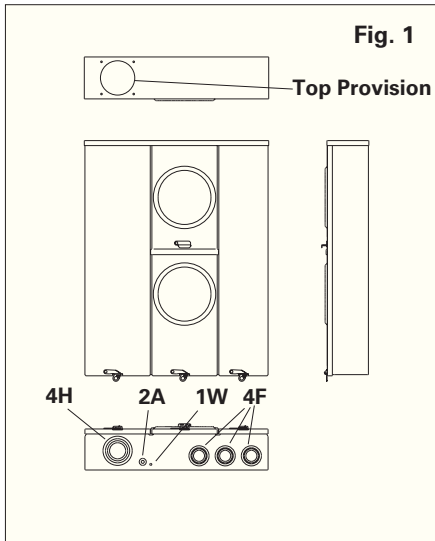
# Group Meter Mains - Without Bypass

125 & 200 Amp

## Knockouts - Conduit Sizes

1W = 1/4" dia.  
 2A = 3/8" dia. - 1/2"  
 4F = 2" - 1 1/2" - 1 1/4" - 1"  
 4H = 3" - 2 1/2" - 2" - 1 1/2"  
 Top Provision = See Chart)

## Knockout Layouts



Data subject to change without notice. Consult local utility for area acceptance. All dimensions are in inches.



R1060HEE (closed)



R1060HEE (open)



### Application

- With KOs for ganging TB/MTB units under a common feed
- Surface mount

### Construction

- NEMA Type 3R
- ANSI 61 gray E-coat finish
- Aluminum bussing

### Standards

- UL 1773 Listed

Part/UPC Number	Catalog Number	Buss Amps	Service Type	AIC	Line	Connections Load	Neutral	Overall Height	Overall Width	Overall Depth	Knockout Layout
78205118055	<b>R1024 HC</b>	400	1Ø/3W	10K	#4 - 600 MCM	See Note *	#4 - 600 MCM	22"	24"	6"	Fig. 1
78205118065	<b>R1036 HC</b>	400	1Ø/3W	10K	#4 - 600 MCM	See Note *	#4 - 600 MCM	22"	36"	6"	Fig. 1
78205118075	<b>R1048 HC</b>	400	1Ø/3W	10K	#4 - 600 MCM	See Note *	#4 - 600 MCM	22"	48"	6"	Fig. 1
78205118085	<b>R1060 HC</b>	400	1Ø/3W	10K	#4 - 600 MCM	See Note *	#4 - 600 MCM	22"	60"	6"	Fig. 1
78205118095	<b>R1072 HC</b>	400	1Ø/3W	10K	#4 - 600 MCM	See Note *	#4 - 600 MCM	22"	72"	6"	Fig. 1
78205118115	<b>R1036 HD</b>	600	1Ø/3W	10K	(2) #4 - 600 MCM	See Note *	(2) #4 - 600 MCM	22"	36"	6"	Fig. 1
78205118125	<b>R1048 HD</b>	600	1Ø/3W	10K	(2) #4 - 600 MCM	See Note *	(2) #4 - 600 MCM	22"	48"	6"	Fig. 1
78205118135	<b>R1060 HD</b>	600	1Ø/3W	10K	(2) #4 - 600 MCM	See Note *	(2) #4 - 600 MCM	22"	60"	6"	Fig. 1
78205118145	<b>R1072 HD</b>	600	1Ø/3W	10K	(2) #4 - 600 MCM	See Note *	(2) #4 - 600 MCM	22"	72"	6"	Fig. 1
78205118325	<b>R1048 HE</b>	800	1Ø/3W	10K	(3) #4 - 600 MCM	See Note *	(3) #4 - 600 MCM	22"	48"	6"	Fig. 1
78205118335	<b>R1060 HE</b>	800	1Ø/3W	10K	(3) #4 - 600 MCM	See Note *	(3) #4 - 600 MCM	22"	60"	6"	Fig. 1
78205118345	<b>R1072 HE</b>	800	1Ø/3W	10K	(3) #4 - 600 MCM	See Note *	(3) #4 - 600 MCM	22"	72"	6"	Fig. 1
78205118215	<b>R1024 HCC</b>	400	3Ø/4W	10K	#4 - 600 MCM	See Note *	#4 - 600 MCM	22"	24"	6"	Fig. 1
78205118225	<b>R1036 HCC</b>	400	3Ø/4W	10K	#4 - 600 MCM	See Note *	#4 - 600 MCM	22"	36"	6"	Fig. 1
78205118235	<b>R1048 HCC</b>	400	3Ø/4W	10K	#4 - 600 MCM	See Note *	#4 - 600 MCM	22"	48"	6"	Fig. 1
78205118245	<b>R1060 HCC</b>	400	3Ø/4W	10K	#4 - 600 MCM	See Note *	#4 - 600 MCM	22"	60"	6"	Fig. 1
78205118255	<b>R1072 HCC</b>	400	3Ø/4W	10K	#4 - 600 MCM	See Note *	#4 - 600 MCM	22"	72"	6"	Fig. 1
78205108075	<b>R1096 HCC</b>	400	3Ø/4W	10K	#4 - 600 MCM	See Note *	#4 - 600 MCM	22"	96"	6"	Fig. 1
78205118275	<b>R1036 HDD</b>	600	3Ø/4W	10K	(2) #4 - 600 MCM	See Note *	(2) #4 - 600 MCM	28 1/2"	36"	6"	Fig. 1
78205118285	<b>R1048 HDD</b>	600	3Ø/4W	10K	(2) #4 - 600 MCM	See Note *	(2) #4 - 600 MCM	28 1/2"	48"	6"	Fig. 1
78205118295	<b>R1060 HDD</b>	600	3Ø/4W	10K	(2) #4 - 600 MCM	See Note *	(2) #4 - 600 MCM	28 1/2"	60"	6"	Fig. 1
78205118305	<b>R1072 HDD</b>	600	3Ø/4W	10K	(2) #4 - 600 MCM	See Note *	(2) #4 - 600 MCM	28 1/2"	72"	6"	Fig. 1
78205131978	<b>R1096 HDD</b>	600	3Ø/4W	10K	(2) #4 - 600 MCM	See Note *	(2) #4 - 600 MCM	28 1/2"	96"	6"	Fig. 1
78205118150	<b>R10120 HDD</b>	600	3Ø/4W	10K	(2) #4 - 600 MCM	See Note *	(2) #4 - 600 MCM	28 1/2"	120"	6"	Fig. 1
78205118375	<b>R1048 HEE</b>	800	3Ø/4W	10K	(3) #4 - 600 MCM	See Note *	(3) #4 - 600 MCM	28 1/2"	48"	6"	Fig. 1
78205118385	<b>R1060 HEE</b>	800	3Ø/4W	10K	(3) #4 - 600 MCM	See Note *	(3) #4 - 600 MCM	28 1/2"	60"	6"	Fig. 1
78205118395	<b>R1072 HEE</b>	800	3Ø/4W	10K	(3) #4 - 600 MCM	See Note *	(3) #4 - 600 MCM	28 1/2"	72"	6"	Fig. 1
78205118401	<b>R1096 HEE</b>	800	3Ø/4W	10K	(3) #4 - 600 MCM	See Note *	(3) #4 - 600 MCM	28 1/2"	96"	6"	Fig. 1
78205118160	<b>R10120 HEE</b>	800	3Ø/4W	10K	(3) #4 - 600 MCM	See Note *	(3) #4 - 600 MCM	28 1/2"	120"	6"	Fig. 1
78205131970	<b>R1060 HFF</b>	1200	3Ø/4W	10K	(4) #4 - 600 MCM	See Note *	(4) #4 - 600 MCM	36"	60"	6"	Fig. 1
78205131972	<b>R1072 HFF</b>	1200	3Ø/4W	10K	(4) #4 - 600 MCM	See Note *	(4) #4 - 600 MCM	36"	72"	6"	Fig. 1
78205118200	<b>R1096 HFF</b>	1200	3Ø/4W	10K	(4) #4 - 600 MCM	See Note *	(4) #4 - 600 MCM	36"	96"	6"	Fig. 1
78205118170	<b>R10120 HFF</b>	1200	3Ø/4W	10K	(4) #4 - 600 MCM	See Note *	(4) #4 - 600 MCM	36"	120"	6"	Fig. 1
78205131974	<b>R1072 HGG</b>	1600	3Ø/4W	10K	(6) #4 - 600 MCM	See Note *	(6) #4 - 600 MCM	36"	72"	8"	Fig. 1
78205118205	<b>R1096 HGG</b>	1600	3Ø/4W	10K	(6) #4 - 600 MCM	See Note *	(6) #4 - 600 MCM	36"	96"	8"	Fig. 1
78205118190	<b>R10120 HGG</b>	1600	3Ø/4W	10K	(6) #4 - 600 MCM	See Note *	(6) #4 - 600 MCM	36"	120"	8"	Fig. 1
78205131976	<b>R1072 HHH</b>	2000	3Ø/4W	10K	(6) #4 - 600 MCM	See Note *	(6) #4 - 600 MCM	36"	72"	8"	Fig. 1
78205118210	<b>R1096 HHH</b>	2000	3Ø/4W	10K	(6) #4 - 600 MCM	See Note *	(6) #4 - 600 MCM	36"	96"	8"	Fig. 1
78205118195	<b>R10120 HHH</b>	2000	3Ø/4W	10K	(6) #4 - 600 MCM	See Note *	(6) #4 - 600 MCM	36"	120"	8"	Fig. 1

Note: \* 5/16" mounting holes for load lugs - single location per phase per foot of width.

Note: Every 600 MCM lug barrel will accept (2) 1/0 - 250 MCM cables

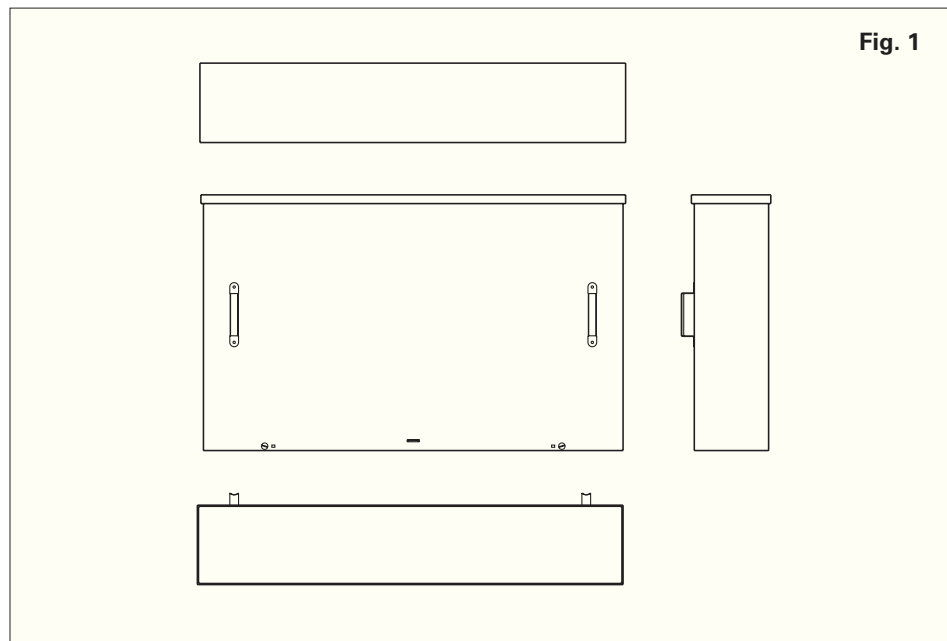
Data subject to change without notice. Consult local utility for area acceptance. All dimensions are in inches.

# Universal Bussed Gutters

400 - 2000 Amp

Style #	Suffixes
R1024	<b>SS</b> - Stainless Steel
R1036	<b>/CU</b> - Copper Buss
R1048	
R1060	
R1072	
R1096	
R10120	

## Layouts



All cabinets 60" and wider have two (2) doors.

Cabinets 48" wide and 28<sup>1</sup>/<sub>2</sub>" tall also have two (2) doors.

Data subject to change without notice. Consult local utility for area acceptance. All dimensions are in inches.

# Bussed Gutters - With Knockouts

400 - 800 Amp



R1123HCC (closed)



R1123HCC (open)



## Application

- Used as a distribution point for multiple load applications under a common feed
- Surface mount

## Construction

- NEMA Type 3R
- ANSI 61 gray E-coat finish
- Aluminum bussing

## Standards

- UL 1773 Listed

Part/UPC Number	Catalog Number	Buss Amps	Service Type	Positions	Connections			Overall Dimensions			Knockout Layout
					Line	Load	Neutral	Height	Width	Depth	
78205157083	R1122 HC	400	1Ø/3W	2	#4 - 600 MCM	#6 - 600 MCM	#4 - 600 MCM	13"	28 <sup>3</sup> / <sub>8</sub> "	6"	Fig. 1
78205157087	R1123 HC	400	1Ø/3W	3	#4 - 600 MCM	#6 - 600 MCM	#4 - 600 MCM	13"	42 <sup>3</sup> / <sub>4</sub> "	6"	Fig. 2
78205157089	R1123 HD	600	1Ø/3W	3	(2) #4 - 600 MCM	#6 - 600 MCM	(2) #4 - 600 MCM	22"	42 <sup>3</sup> / <sub>4</sub> "	6"	Fig. 2
78205157091	R1124 HD	600	1Ø/3W	4	(2) #4 - 600 MCM	#6 - 600 MCM	(2) #4 - 600 MCM	22"	57"	6"	Fig. 3
78205157107	R1125 HD	600	1Ø/3W	5	(2) #4 - 600 MCM	#6 - 600 MCM	(2) #4 - 600 MCM	22"	71 <sup>1</sup> / <sub>4</sub> "	6"	Fig. 4
78205157111	R1126 HD	600	1Ø/3W	6	(2) #4 - 600 MCM	#6 - 600 MCM	(2) #4 - 600 MCM	22"	85 <sup>5</sup> / <sub>8</sub> "	6"	Fig. 5
78205157093	R1124 HE	800	1Ø/3W	4	(3) #4 - 600 MCM	#6 - 600 MCM	(3) #4 - 600 MCM	22"	57"	6"	Fig. 3
78205157109	R1125 HE	800	1Ø/3W	5	(3) #4 - 600 MCM	#6 - 600 MCM	(3) #4 - 600 MCM	22"	71 <sup>1</sup> / <sub>4</sub> "	6"	Fig. 4
78205157113	R1126 HE	800	1Ø/3W	6	(3) #4 - 600 MCM	#6 - 600 MCM	(3) #4 - 600 MCM	22"	85 <sup>5</sup> / <sub>8</sub> "	6"	Fig. 5
78205157097	R1122 HCC	400	3Ø/4W	2	#4 - 600 MCM	#6 - 600 MCM	#4 - 600 MCM	22"	28 <sup>3</sup> / <sub>8</sub> "	6"	Fig. 1
78205157099	R1123 HCC	400	3Ø/4W	3	#4 - 600 MCM	#6 - 600 MCM	#4 - 600 MCM	22"	42 <sup>3</sup> / <sub>4</sub> "	6"	Fig. 2
78205157101	R1123 HDD	600	3Ø/4W	3	(2) #4 - 600 MCM	#6 - 600 MCM	(2) #4 - 600 MCM	22"	42 <sup>3</sup> / <sub>4</sub> "	6"	Fig. 2
78205157103	R1124 HDD	600	3Ø/4W	4	(2) #4 - 600 MCM	#6 - 600 MCM	(2) #4 - 600 MCM	22"	57"	6"	Fig. 3
78205157115	R1125 HDD	600	3Ø/4W	5	(2) #4 - 600 MCM	#6 - 600 MCM	(2) #4 - 600 MCM	22"	71 <sup>1</sup> / <sub>4</sub> "	6"	Fig. 4
78205157119	R1126 HDD	600	3Ø/4W	6	(2) #4 - 600 MCM	#6 - 600 MCM	(2) #4 - 600 MCM	22"	85 <sup>5</sup> / <sub>8</sub> "	6"	Fig. 5
78205157103	R1124 HEE	800	3Ø/4W	4	(3) #4 - 600 MCM	#6 - 600 MCM	(3) #4 - 600 MCM	28 <sup>1</sup> / <sub>2</sub> "	57"	6"	Fig. 3
78205157117	R1125 HEE	800	3Ø/4W	5	(3) #4 - 600 MCM	#6 - 600 MCM	(3) #4 - 600 MCM	28 <sup>1</sup> / <sub>2</sub> "	71 <sup>1</sup> / <sub>4</sub> "	6"	Fig. 4
78205157121	R1126 HEE	800	3Ø/4W	6	(3) #4 - 600 MCM	#6 - 600 MCM	(3) #4 - 600 MCM	28 <sup>1</sup> / <sub>2</sub> "	85 <sup>5</sup> / <sub>8</sub> "	6"	Fig. 5

### Notes:

All bussed gutters are rated at 10K AIC.

All units have (1) #6 -250 MCM ground lug secured to the neutral.

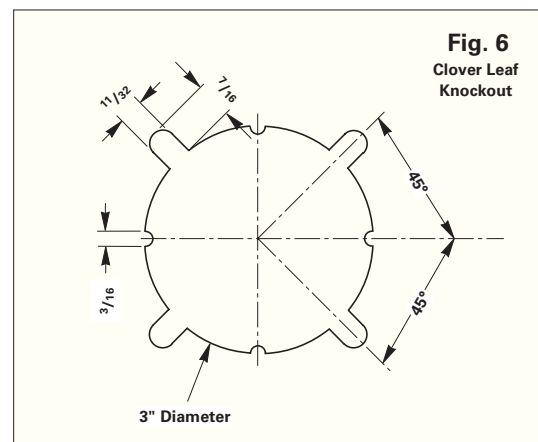
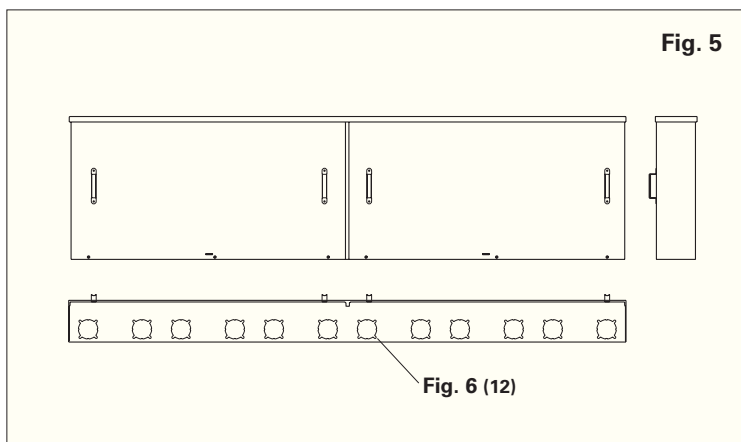
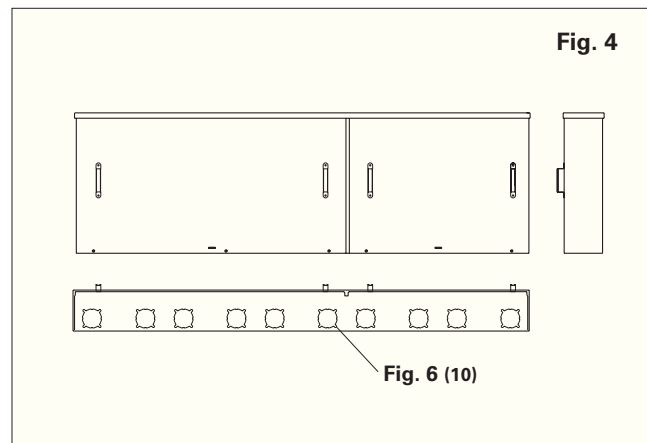
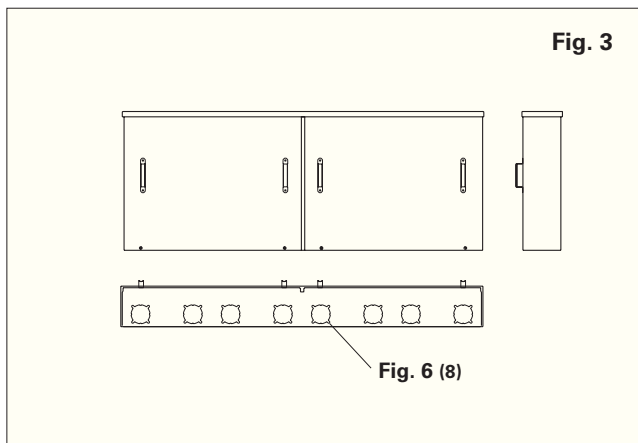
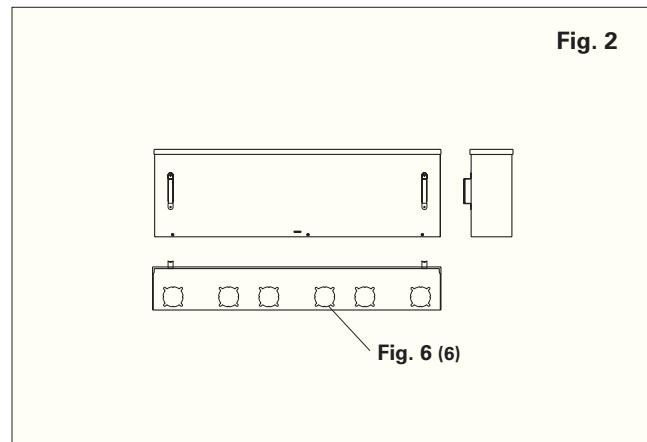
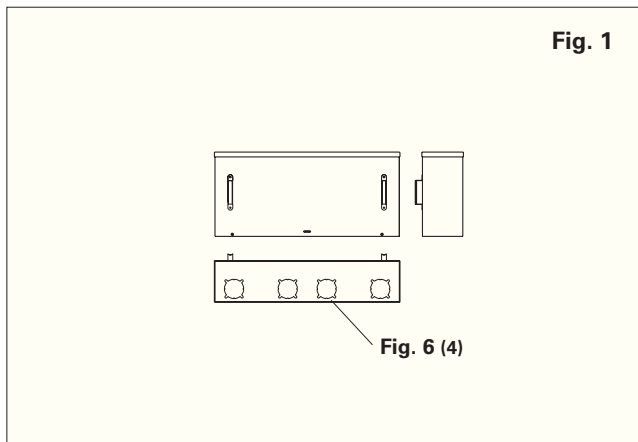
Every 600 MCM lug barrel will accept (2) 1/0 - 250 MCM cables.

# Bussed Gutters - With Knockouts

400 - 800 Amp

Style #	Suffixes
R1122	<b>SS</b> - Stainless Steel
R1123	<b>/CU</b> - Copper Buss
R1124	
R1125	
R1126	

## Knockout Layouts



Data subject to change without notice. Consult local utility for area acceptance. All dimensions are in inches.





R9000EE (closed)



R9000EE (open)

### Application

- For termination of utility supply cables
- Used as a termination point before bussted gutters in underground applications
- Surface mount

### Construction

- NEMA Type 3R
- ANSI 61 gray E-coat finish
- Aluminum bussing
- Removable door with sealing provision and lifting handles



### Standards

- UL 1773 Listed

Part/UPC Number	Catalog Number	Amp Rating	Service Type	Access	AIC	Phase & Neutral Connections		Overall Dimensions			Knockout Layout
						Line	Load	Height	Width	Depth	
78205153196	<b>R9007 A</b>	100	1Ø or 3Ø/3W	UG	10K	#14 - 2/0	#14 - 2/0	8"	12"	4"	Fig. 1
78205158183	<b>R9000 B</b>	200	1Ø or 3Ø/3W	UG	10K	#6 - 250 MCM	#6 - 250 MCM	26"	12"	6"	Fig. 1
78205153189	<b>R9000 BB</b>	200	3Ø/4W	UG	10K	#6 - 250 MCM	#6 - 250 MCM	26"	16"	6"	Fig. 1
78205153184	<b>R9000 C</b>	400	1Ø or 3Ø/3W	UG	42K	2 Studs / Ø	#6 - 600 MCM	44"	12"	7"	Fig. 1
78205153190	<b>R9000 CC</b>	400	3Ø/4W	UG	42K	2 Studs / Ø	#6 - 600 MCM	44"	18"	7"	Fig. 1
78205153186	<b>R9000 E</b>	800	1Ø or 3Ø/3W	UG	65K	4 Studs / Ø	(3) #4 - 600 MCM	52"	18"	11"	Fig. 1
78205153192	<b>R9000 EE</b>	800	3Ø/3W	UG	65K	4 Studs / Ø	(3) #4 - 600 MCM	52"	26"	11"	Fig. 1
78205153188	<b>R9000 F</b>	1200	1Ø or 3Ø/3W	UG	65K	6 Studs / Ø	(4) #4 - 600 MCM	52"	24"	11"	Fig. 1
78205153194	<b>R9000 FF</b>	1200	3Ø/4W	UG	65K	6 Studs / Ø	(4) #4 - 600 MCM	52"	36"	11"	Fig. 1
78205107197	<b>R9000 CL</b>	400	1Ø or 3Ø/3W	OH/UG	42K	#4 - 600 MCM	#4 - 600 MCM	44"	12"	7"	Fig. 1
78205107200	<b>R9000 CCL</b>	400	3Ø/4W	OH/UG	42K	#4 - 600 MCM	#4 - 600 MCM	44"	18"	7"	Fig. 1
78205107198	<b>R9000 EL</b>	800	1Ø or 3Ø/3W	OH/UG	65K	(3) #4 - 600 MCM	(3) #4 - 600 MCM	52"	18"	11"	Fig. 1
78205107201	<b>R9000 EEL</b>	800	3Ø/3W	OH/UG	65K	(3) #4 - 600 MCM	(3) #4 - 600 MCM	52"	26"	11"	Fig. 1
78205107199	<b>R9000 FL</b>	1200	1Ø or 3Ø/3W	OH/UG	65K	(4) #4 - 600 MCM	(3) #4 - 600 MCM	52"	24"	11"	Fig. 1
78205107202	<b>R9000 FFL</b>	1200	3Ø/4W	OH/UG	65K	(4) #4 - 600 MCM	(3) #4 - 600 MCM	52"	36"	11"	Fig. 1

Notes:

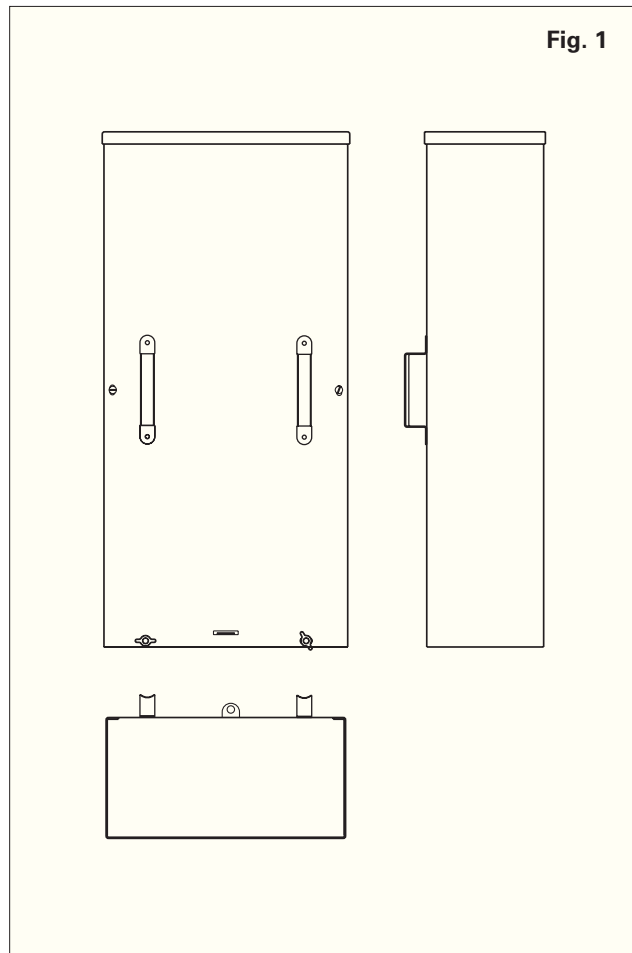
Every 600 MCM lug barrel will accept (2) 1/0 - 250 MCM cables.

# Termination Enclosures

100 - 1200 Amp

Style #	Suffixes
R9000	SS - Stainless Steel

## Layouts



52" tall cabinets have two (2) overlapping doors as shown on the R9000EE photo (page 26)

Data subject to change without notice. Consult local utility for area acceptance. All dimensions are in inches.

60 Amp - Nonfusible  
 30 Amp & 60 Amp Fused  
 60 Amp - Nonfusible with GFCI  
 Duplex Receptacle



**AC60NOMT0**  
shown open & closed



**AC30FPNM0**  
shown open & closed



### Application

- NEMA® 3R outdoor enclosures offered in metallic and nonmetallic versions
- Horsepower rated (10 hp maximum at 240 Vac)
- Surface or flush mount (see chart)

### Construction

- Easy-to-remove high strength protective shield for easier wiring and mounting
- Easy-to-remove front cover (no screws or fasteners to remove)
- Ample wiring space for mounting with a stud gun (simple keyhole, two or three-point mounting)
- Fused devices are service entrance rated
- Padlockable door provision for safety and reduction of tampering
- Metallic enclosures are bottom entry and exit only
- Metallic enclosures have knockouts and a hub provision for top access
- Nonmetallic enclosures have a single unit door and protective shield for installer convenience
- Nonmetallic enclosures are durable and provide excellent resistance to climate changes

### Standards

- UL listed file No. E5239
- Separate CSA® approved unit

### Power Specification

- 10,000 amperes rms symmetrical interrupting rating
- Horsepower rated
- Fusible and non-fusible pullout and molded case switch designs
- 30 and 60 amperes available in fusible
- 60 amperes available in non-fusible and molded switch case
- Class H fuse clips provided on fusible pullout design

Part/UPC Number	Catalog Number	Maximum HP	AC Disconnect Wire Range		Neutral Conductor CU/AL	Wire Rating		Overall Dimensions			Figure Number
			CU	AL		Line CU °C	Load AL °C	Height	Width	Depth	
<b>60 Amp - Nonfusible</b>											
78205139801	<b>AC60NOMT0</b>	10	#14 - #2	#12 - #6	#14 - #4	60°/75°	60°/75°	8 <sup>3</sup> / <sub>4</sub> "	5 <sup>3</sup> / <sub>8</sub> "	3 <sup>1</sup> / <sub>8</sub> "	Fig. 1
78205141681	<b>AC60NONM0</b>	10	#14 - #2	#12 - #6	#14 - #4	60°/75°	60°/75°	8 <sup>11</sup> / <sub>16</sub> "	6 <sup>1</sup> / <sub>4</sub> "	3 <sup>3</sup> / <sub>8</sub> "	Fig. 2
<b>30 Amp - Fused</b>											
78205141677	<b>AC30FPMT0</b>	10	#14 - #2	#12 - #6	#14 - #4	60°/75°	60°/75°	8 <sup>3</sup> / <sub>4</sub> "	5 <sup>3</sup> / <sub>8</sub> "	3 <sup>1</sup> / <sub>8</sub> "	Fig. 1
78205141679	<b>AC30FPNM0</b>	10	#14 - #2	#12 - #6	#14 - #4	60°/75°	60°/75°	8 <sup>11</sup> / <sub>16</sub> "	6 <sup>1</sup> / <sub>4</sub> "	3 <sup>3</sup> / <sub>8</sub> "	Fig. 2
<b>60 Amp - Fused</b>											
78205141687	<b>AC60FPMT0</b>	10	#14 - #2	#12 - #6	#14 - #4	60°/75°	60°/75°	8 <sup>3</sup> / <sub>4</sub> "	5 <sup>3</sup> / <sub>8</sub> "	3 <sup>1</sup> / <sub>8</sub> "	Fig. 1
78205141680	<b>AC60FPNM0</b>	10	#14 - #2	#12 - #6	#14 - #4	60°/75°	60°/75°	8 <sup>11</sup> / <sub>16</sub> "	6 <sup>1</sup> / <sub>4</sub> "	3 <sup>3</sup> / <sub>8</sub> "	Fig. 2
<b>60 Amp - Nonfusible with GFCI Duplex Receptacle</b>											
78205139802	<b>AC60NOMT2</b>	10	#14 - #2	#12 - #6	#14 - #4	60°/75°	60°/75°	13"	7 <sup>1</sup> / <sub>2</sub> "	4 <sup>3</sup> / <sub>4</sub> "	Fig. 3

Fused non-metallic units require the addition of GB5NM ground bar

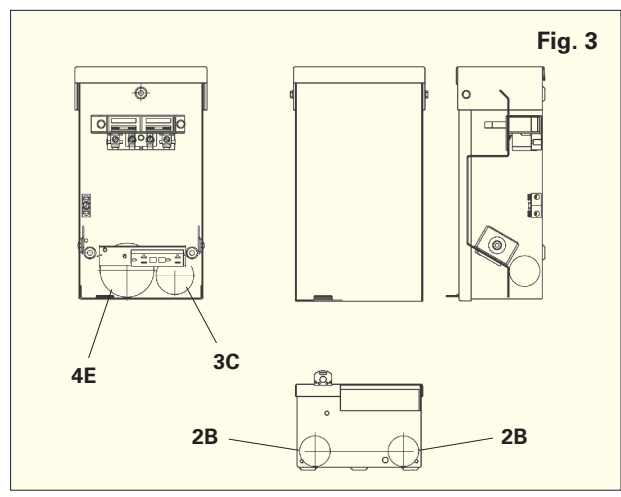
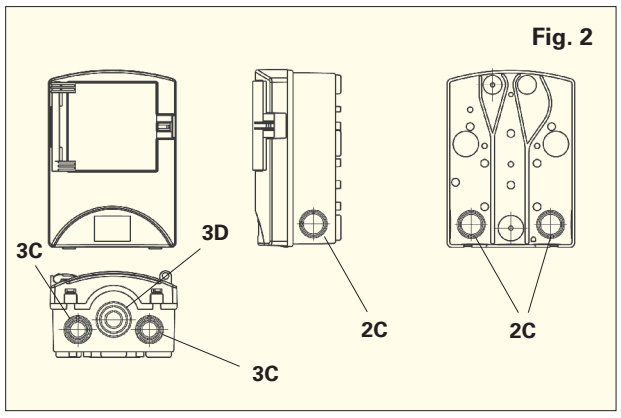
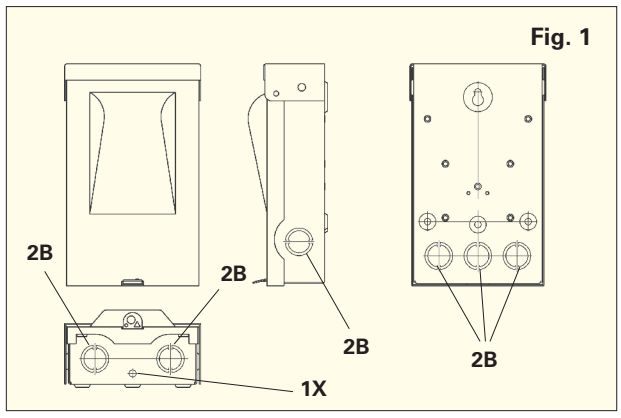
Data subject to change without notice. Consult local utility for area acceptance. All dimensions are in inches.

# Disconnects - Air Conditioning

60 Amp - Nonfusible  
 30 Amp & 60 Amp Fused  
 60 Amp - Nonfusible with GFCI  
 Duplex Receptacle

Knockouts - Conduit Sizes	
1X	= 9/32"
2B	= 3/4" - 1/2"
2C	= 1" - 3/4"
3C	= 1" - 3/4" - 1/2"
3D	= 1 1/4" - 1" - 3/4"
4E	= 1 1/2" - 1 1/4" - 1" - 3/4"

## Knockout Layouts



Data subject to change without notice. Consult local utility for area acceptance. All dimensions are in inches.

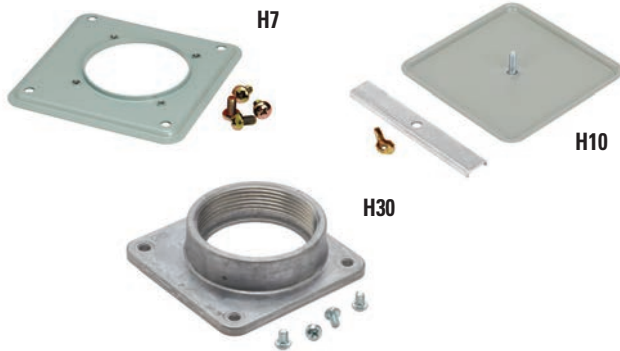
### AW Hubs

Part/UPC Number	Catalog Number	Description
78205139040	<b>AW100</b>	1" Conduit
78205139050	<b>AW125</b>	1 1/4" Conduit
78205139060	<b>AW150</b>	1 1/2" Conduit
78205139070	<b>AW200</b>	2" Conduit
78205139080	<b>AW250</b>	2 1/2" Conduit
78205134721	<b>AWCAP</b>	AW Cap - Gray



### H-Base Hubs

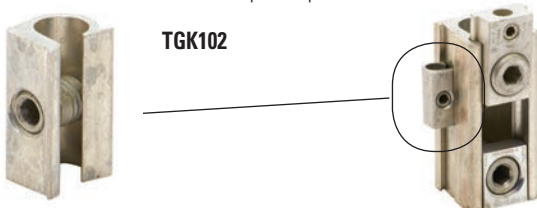
Part/UPC Number	Catalog Number	Description
78205141100	<b>H7</b>	Hub Adapter AW To H-Base
78205141110	<b>H10</b>	H-Base Cap - Gray
78205141130	<b>H30</b>	3" Conduit
78205141132	<b>H35</b>	3 1/2" Conduit
78205141134	<b>H40</b>	4" Conduit



### Supplemental Ground Lug

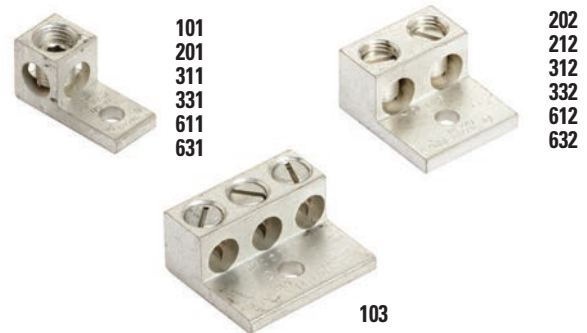
Part/UPC Number	Catalog Number	Description
78205141670	<b>TGK102</b>	Supplemental Ground Lug

12 pieces per set



### Lug Kits

Part/UPC Number	Catalog Number	Description
78205163260	<b>101</b>	1/0 Single Lug Kit, 1 Per Set
78205163261	<b>103</b>	1/0 Triple Lug Kit, 1 Per Set
78205163262	<b>201</b>	2/0 Single Lug Kit, 1 Per Set
78205163263	<b>202</b>	2/0 Dual Lug Kit, 1 Per Set
78205139641	<b>212</b>	250 KCMIL Dual Lug Kit, 1Ø, 3 Per Set
78205139642	<b>311</b>	350 KCMIL Single Lug Kit, 1Ø, 3 Per Set
78205139643	<b>312</b>	350 KCMIL Double Lug Kit, 1Ø, 3 Per Set
78205139647	<b>331</b>	350 KCMIL Single Lug Kit, 3Ø, 4 Per Set
78205139648	<b>332</b>	350 KCMIL Double Lug Kit, 3Ø, 4 Per Set
78205139644	<b>611</b>	600 KCMIL Single Lug Kit, 1Ø, 3 Per Set
78205139645	<b>612</b>	600 KCMIL Double Lug Kit, 1Ø, 3 Per Set
78205139649	<b>631</b>	600 KCMIL Single Lug Kit, 3Ø, 4 Per Set
78205139650	<b>632</b>	600 KCMIL Double Lug Kit, 3Ø, 4 Per Set



### Stud/Lug Landing Pad Kits

Part/UPC Number	Catalog Number	Description
78205144475	<b>ES38</b>	3/8" Stud, 3 Per Set
78205144476	<b>ES12</b>	1/2" Stud, 3 Per Set



### Cap Set Screw Assemblies

Part/UPC Number	Catalog Number	Description
78205126400	<b>EB125</b>	For 125A, 2/0 Lay-In Lugs
78205126401	<b>EB200</b>	For 200A, 350 kcmil Lay-In Lugs

12 pieces per set



Data subject to change without notice. Consult local utility for area acceptance. All dimensions are in inches.

# Accessories

## Cap Set Screw Assemblies with Grounding Electrode Connector

Part/UPC Number	Catalog Number	Description
78205144647	<b>ETB125</b>	For 125A, 2/0 Lay-In Lugs
78205144649	<b>ETB200</b>	For 200A, 350 kcmil Lay-In Lugs

12 pieces per set



## 5th Jaw Terminal Kits

Part/UPC Number	Catalog Number	Description
78205139465	<b>50365</b>	For Non-Lever Bypass 1Ø/3W Applications
78205139429	<b>50366</b>	For Lever Bypass 1Ø/3W Applications

1 per kit



## Horned Bypass Cap Assemblies

Part/UPC Number	Catalog Number	Description
78205132343	<b>EHB125</b>	For 150A max / 125A cont., 2/0 Lay-In Lugs
78205132352	<b>EHB200</b>	For 250A max / 200A cont., 350 kcmil Lay-In Lugs

12 pieces per set



## 7th Jaw Terminal Kits

Part/UPC Number	Catalog Number	Description
78205144474	<b>50368</b>	For Lever Bypass 3Ø/4W Applications

1 kit per bag



## Jumper Link

Part/UPC Number	Catalog Number	Description
78205152102	<b>SJ-100</b>	100A & 200A Jumper Link

1 piece per bag



## Touch-Up Paint

Part/UPC Number	Catalog Number	Description
78205183012	<b>84034</b>	ANSI 61 Gray Touch-up Paint



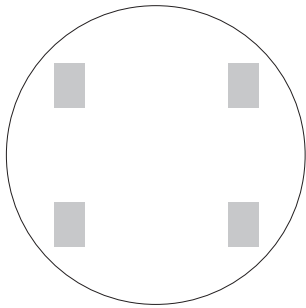
## Closing Plate

Part/UPC Number	Catalog Number	Description
78205139430	<b>25162</b>	Clear Plastic Closing Plate

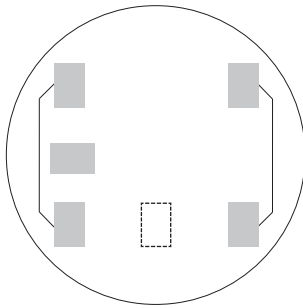


Data subject to change without notice. Consult local utility for area acceptance. All dimensions are in inches.

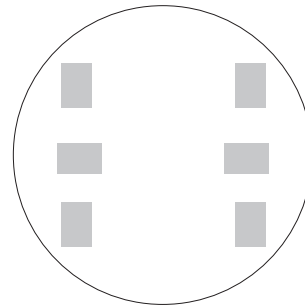
ANSI - S-Form Meter Configurations



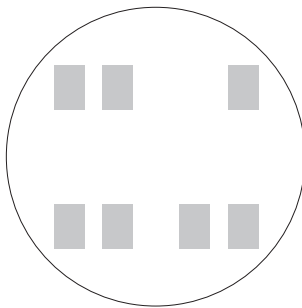
**4-Terminal**  
**Form 1S & 2S**



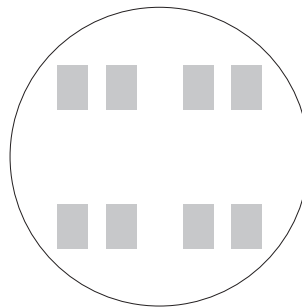
**5-Terminal**  
**Form 3S**



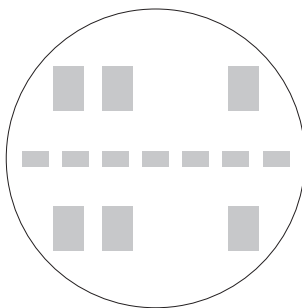
**6-Terminal**  
**Form 4S**



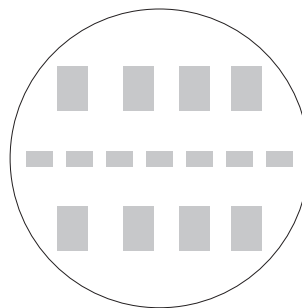
**7-Terminal**  
**Form 14S, 15S,**  
**16S, 17S, 24S**



**8-Terminal**  
**Form 5S, 35S, 45S**



**13-Terminal**  
**Form 6S, 8S, 9S,**  
**10S, 29S, 36S, 46S**



**15-Terminal**  
**Form 11S, 39S, 76S**

Data subject to change without notice. Consult local utility for area acceptance. All dimensions are in inches.

U.S. Customer Service Center is staffed Monday through Friday  
from 7 a.m. to 5:00 p.m. Central Standard Time.  
For additional information, visit [cooperblineline.com/metering](http://cooperblineline.com/metering).

**Eaton's B-Line Business**  
**United States**  
509 West Monroe Street  
Highland, IL 62249  
United States  
Phone: (800) 851-7415  
[www.cooperblineline.com/contactus](http://www.cooperblineline.com/contactus)

**Eaton**  
1000 Eaton Boulevard  
Cleveland, OH 44122  
United States  
[Eaton.com](http://Eaton.com)

**B-Line Business**  
509 West Monroe Street  
Highland, IL 62249  
Phone: 800-851-7415  
Fax: 618-654-1917  
[www.bline.com](http://www.bline.com)

© 2017 Eaton  
All Rights Reserved  
Printed in USA  
Publication No. MTRFLA-17  
December 2017 CA306001EN

Eaton is a registered trademark

All other trademarks are property  
of their respective owners.