

# Single Meter Sockets - Without Bypass

## 125 & 200 Amp

Single Meter Sockets  
Without Bypass



011 (closed)



U204 (open)

### Application

- Single meter position
- Receive ANSI C12.10 watthour meters
- Surface or flush mount (see chart)

### Construction

- Ring type
- NEMA Type 3R
- ANSI 61 gray E-coat finish
- Aluminum snap ring included



### Standards

- UL 414 Listed
- ANSI C12.7

### Accessories

- 5th Jaw Kit - 50365
- 200A Triplex Ground - ETB200
- AW Hub

| Part/UPC Number | Catalog Number | Amp Rating | Jaws | Service Type | Access | Connections |             |             |
|-----------------|----------------|------------|------|--------------|--------|-------------|-------------|-------------|
|                 |                |            |      |              |        | Line        | Load        | Neutral     |
| 78205142000     | 011            | 125        | 4    | 1Ø/3W        | OH/UG  | #14 - 1/0   | #14 - 1/0   | #14 - 2/0   |
| 78205142040     | 011 F          | 125        | 4    | 1Ø/3W        | OH/UG  | #14 - 1/0   | #14 - 1/0   | #14 - 2/0   |
| 78205142045     | 011 MS73       | 125        | 4    | 1Ø/3W        | OH/UG  | #14 - 1/0   | #14 - 1/0   | #14 - 2/0   |
| 78205142050     | 011 SF         | 125        | 4    | 1Ø/3W        | OH/UG  | #14 - 1/0   | #14 - 1/0   | #14 - 2/0   |
| 78205144030     | 927            | 100        | 7    | 3Ø/4W        | OH/UG  | #14 - 1/0   | #14 - 1/0   | #14 - 2/0   |
| 78205156000     | 204            | 200        | 4    | 1Ø/3W        | OH     | #6 - 250MCM | #6 - 250MCM | #6 - 350MCM |
| 78205156020     | 204 F          | 200        | 4    | 1Ø/3W        | OH     | #6 - 250MCM | #6 - 250MCM | #6 - 350MCM |
| 78205156030     | 204 F MS73     | 200        | 4    | 1Ø/3W        | OH     | #6 - 250MCM | #6 - 250MCM | #6 - 350MCM |
| 78205156040     | 204 MS68       | 200        | 4    | 1Ø/3W        | OH     | #6 - 250MCM | #6 - 250MCM | #6 - 350MCM |
| 78205156035     | 204 MS68A      | 200        | 4    | 1Ø/3W        | OH     | #6 - 250MCM | #6 - 250MCM | #6 - 350MCM |
| 78205108490     | 204 MS73       | 200        | 4    | 1Ø/3W        | OH     | #6 - 250MCM | #6 - 250MCM | #6 - 350MCM |
| 78205156005     | U204           | 200        | 4    | 1Ø/3W        | UG     | #6 - 250MCM | #6 - 250MCM | #6 - 350MCM |
| 78205156045     | U204 F         | 200        | 4    | 1Ø/3W        | UG     | #6 - 250MCM | #6 - 250MCM | #6 - 350MCM |
| 78205156060     | U204 F MS73    | 200        | 4    | 1Ø/3W        | UG     | #6 - 250MCM | #6 - 250MCM | #6 - 350MCM |
| 78205156070     | U204 MS73      | 200        | 4    | 1Ø/3W        | UG     | #6 - 250MCM | #6 - 250MCM | #6 - 350MCM |
| 78205156140     | U207           | 200        | 7    | 3Ø/4W        | OH/UG  | #6 - 250MCM | #6 - 250MCM | #6 - 250MCM |
| 78205156170     | U207 F         | 200        | 7    | 3Ø/4W        | UG     | #6 - 250MCM | #6 - 250MCM | #6 - 250MCM |
| 78205156180     | U207 MS73      | 200        | 7    | 3Ø/4W        | OH/UG  | #6 - 250MCM | #6 - 250MCM | #6 - 250MCM |

| Part/UPC Number | Catalog Number | Overall Dimensions |       |                                 | Top Provision                          | Knockout Layout |
|-----------------|----------------|--------------------|-------|---------------------------------|--|-----------------|
|                 |                | Height             | Width | Depth                           |  |                 |
| 78205142000     | 011            | 12"                | 8"    | 4 <sup>5</sup> / <sub>8</sub> " | AW Hub                                 | Fig. 1          |
| 78205142040     | 011 F          | 12"                | 8"    | 4 <sup>5</sup> / <sub>8</sub> " | 2" max KO                              | Fig. 1          |
| 78205142045     | 011 MS73       | 12"                | 8"    | 4 <sup>5</sup> / <sub>8</sub> " | AW Hub                                 | Fig. 1          |
| 78205142050     | 011 SF         | 12"                | 8"    | 4 <sup>5</sup> / <sub>8</sub> " | 2" max KO                              | Fig. 1          |
| 78205144030     | 927            | 17"                | 8"    | 4 <sup>5</sup> / <sub>8</sub> " | AW Hub                                 | Fig. 1          |
| 78205156000     | 204            | 15"                | 8"    | 4 <sup>5</sup> / <sub>8</sub> " | AW Hub                                 | Fig. 2          |
| 78205156020     | 204 F          | 15"                | 8"    | 6"                              | 2" max KO                              | Fig. 2          |
| 78205156030     | 204 F MS73     | 15"                | 8"    | 6"                              | 2" max KO                              | Fig. 2          |
| 78205156040     | 204 MS68       | 15"                | 8"    | 4 <sup>5</sup> / <sub>8</sub> " | AW / 2" Hub                            | Fig. 2          |
| 78205156035     | 204 MS68A      | 15"                | 8"    | 4 <sup>5</sup> / <sub>8</sub> " | AW / 2" Hub                            | Fig. 2          |
| 78205108490     | 204 MS73       | 15"                | 8"    | 4 <sup>5</sup> / <sub>8</sub> " | None                                   | Fig. 2          |
| 78205156005     | U204           | 15"                | 12"   | 4 <sup>5</sup> / <sub>8</sub> " | None                                   | Fig. 3          |
| 78205156045     | U204 F         | 15"                | 12"   | 6"                              | (2) 2" max KO                          | Fig. 3          |
| 78205156060     | U204 F MS73    | 15"                | 12"   | 6"                              | None                                   | Fig. 3          |
| 78205156070     | U204 MS73      | 15"                | 12"   | 4 <sup>5</sup> / <sub>8</sub> " | None                                   | Fig. 3          |
| 78205156140     | U207           | 18"                | 12"   | 5"                              | AW Hub                                 | Fig. 4          |
| 78205156170     | U207 F         | 18"                | 12"   | 5"                              | 2 <sup>1</sup> / <sub>2</sub> " max KO | Fig. 4          |
| 78205156180     | U207 MS73      | 18"                | 12"   | 5"                              | AW Hub                                 | Fig. 4          |

AIC Note:  
For short circuit current ratings see page 131.

Data subject to change without notice. Consult local utility for area acceptance. All dimensions are in inches.

# Single Meter Sockets - Without Bypass

125 & 200 Amp

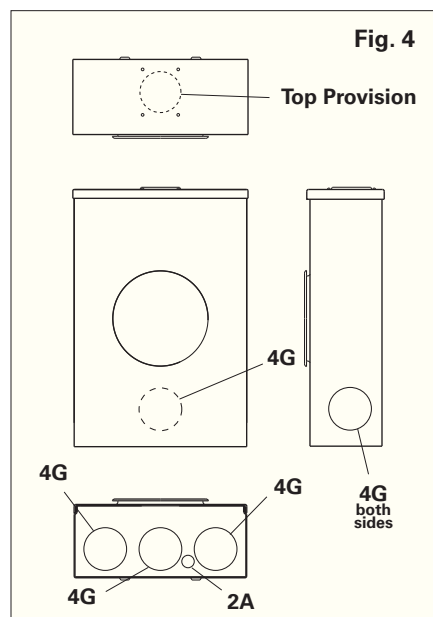
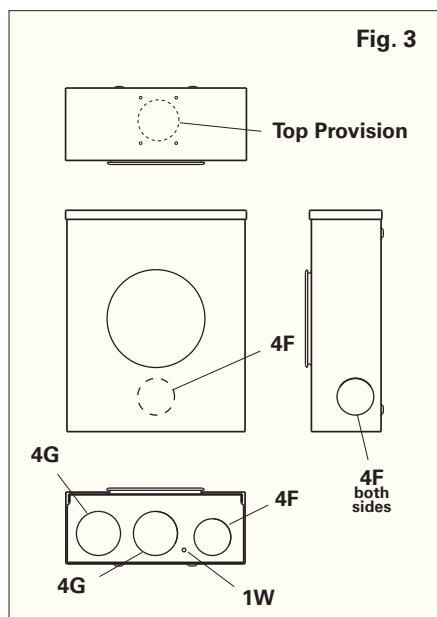
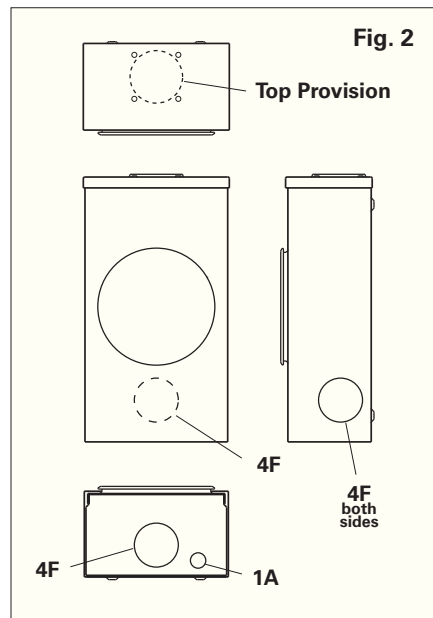
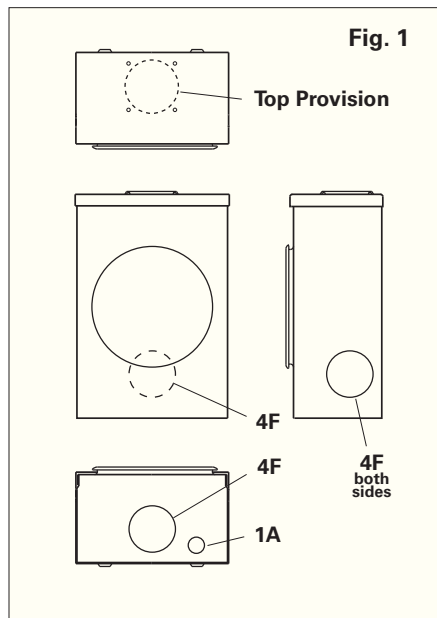
Single Meter Sockets  
Without Bypass

| Style # | Suffixes                  |
|---------|---------------------------|
| 011     | F - Flush Mount           |
| (U) 204 | MS68 - 2" Conduit Hub     |
| (U) 207 | MS68A - MS73 + MS68       |
| 927     | MS73 - AL Screw Type Ring |
|         | SF - Semi Flush Mount     |
|         | SS - Stainless Steel      |

## Knockouts - Conduit Sizes

|                                    |
|------------------------------------|
| 1W = 1/4"                          |
| 1A = 1/2"                          |
| 2A = 1/2" - 1/4"                   |
| 4F = 2" - 1 1/2" - 1 1/4" - 1"     |
| 4G = 2 1/2" - 2" - 1 1/2" - 1 1/4" |
| Top Provision = See Chart          |

## Knockout Layouts



Data subject to change without notice. Consult local utility for area acceptance. All dimensions are in inches.

# Single Meter Sockets - Without Bypass

## 125 & 200 Amp



UG204 (closed)



UG204 (open)

### Application

- Dedicated straight wire line section
- Receive ANSI C12.10 watthour meters
- Surface or flush mount (see chart)

### Construction

- Ring type
- NEMA Type 3R
- ANSI 61 gray E-coat finish
- Aluminum snap ring included



### Standards

- UL 414 Listed
- ANSI C12.7
- EUSERC 301A

### Accessories

- 5th Jaw Kit - 50365
- AW Hub

| Part/UPC Number | Catalog Number    | Amp Rating | Jaws | Service Type | Access | Connections  |              |              |
|-----------------|-------------------|------------|------|--------------|--------|--------------|--------------|--------------|
|                 |                   |            |      |              |        | Line         | Load         | Neutral      |
| 78205142030     | <b>U011 *</b>     | 125        | 4    | 1Ø/3W        | UG     | #14 - 2/0    | #14 - 2/0    | #14 - 2/0    |
| 78205156200     | <b>UG204</b>      | 200        | 4    | 1Ø/3W        | UG     | #6 - 350 MCM | #6 - 250 MCM | #6 - 250 MCM |
| 78205156205     | <b>UG204 F</b>    | 200        | 4    | 1Ø/3W        | UG     | #6 - 350 MCM | #6 - 250 MCM | #6 - 250 MCM |
| 78205126000     | <b>UG204 F SS</b> | 200        | 4    | 1Ø/3W        | UG     | #6 - 350 MCM | #6 - 250 MCM | #6 - 250 MCM |
| 78205126005     | <b>UG204 SS</b>   | 200        | 4    | 1Ø/3W        | UG     | #6 - 350 MCM | #6 - 250 MCM | #6 - 250 MCM |

| Part/UPC Number | Catalog Number    | Overall Dimensions |       |                                 | Top Provision | Knockout Layout |
|-----------------|-------------------|--------------------|-------|---------------------------------|---------------|-----------------|
|                 |                   | Height             | Width | Depth                           |               |                 |
| 78205142030     | <b>U011 *</b>     | 12"                | 12"   | 4 <sup>5</sup> / <sub>8</sub> " | None          | Fig. 1          |
| 78205156200     | <b>UG204</b>      | 17"                | 14"   | 4 <sup>5</sup> / <sub>8</sub> " | None          | Fig. 2          |
| 78205156205     | <b>UG204 F</b>    | 17"                | 14"   | 6"                              | 2" max KO     | Fig. 3          |
| 78205126000     | <b>UG204 F SS</b> | 17"                | 14"   | 6"                              | 2" max KO     | Fig. 3          |
| 78205126005     | <b>UG204 SS</b>   | 17"                | 14"   | 4 <sup>5</sup> / <sub>8</sub> " | None          | Fig. 2          |

AIC Note:  
For short circuit current ratings see page 131.

\* NOT compliant with EUSERC 301A

# Single Meter Sockets - Without Bypass

125 & 200 Amp

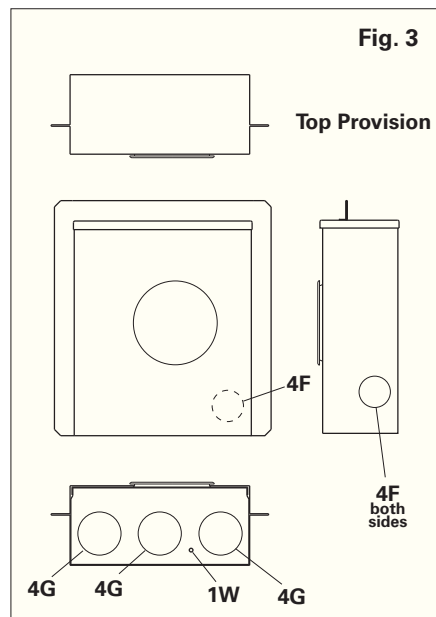
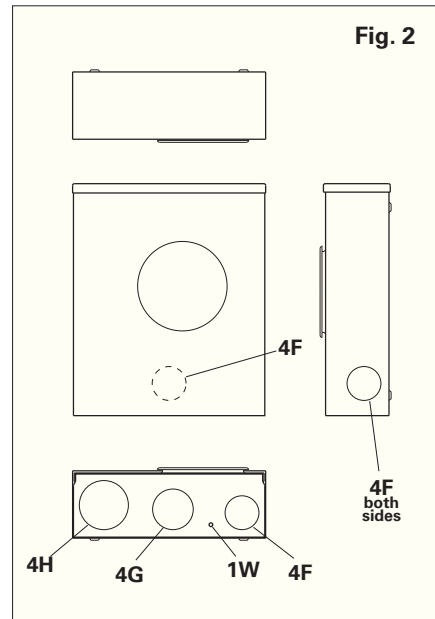
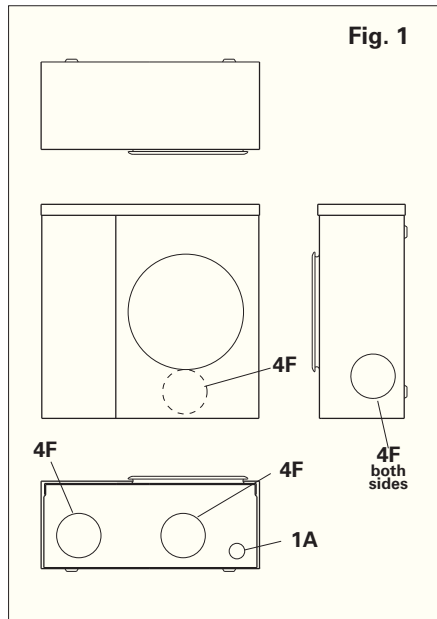
Single Meter Sockets  
Without Bypass

| Style # | Suffixes             |
|---------|----------------------|
| U011    | F - Flush Mount      |
| UG204   | SS - Stainless Steel |

### Knockouts - Conduit Sizes

1A = 1/2"  
 4F = 2" - 1 1/2" - 1 1/4" - 1"  
 4G = 2 1/2" - 2" - 1 1/2" - 1 1/4"  
 4H = 3" - 2 1/2" - 2" - 1 1/2"  
 1W = 1/4"  
 Top Provision = See Chart

### Knockout Layouts



Data subject to change without notice. Consult local utility for area acceptance. All dimensions are in inches.