

Single Meter Sockets - With MCC Bypass

100 & 200 Amp



U121314 (closed)



U121314 (open)

Application

- Manual circuit closing (link type) bypass under separate cover
- Receive ANSI C12.10 watt-hour meters
- Surface or flush mount (see chart)

Construction

- Ring type
- NEMA Type 3R
- ANSI 61 gray E-coat finish
- Aluminum snap ring included



Standards

- UL 414 Listed
- ANSI C12.7

Accessories

- AW Hubs

Single Meter Sockets
With MCC Bypass

Part/UPC Number	Catalog Number	Amp Rating	Jaws	Service Type	Access	Bypass	Line	Connections Load	Neutral
78205147060	U121314	100	4	1Ø/3W	OH/UG	MCC	#14 - 2/0	#14 - 2/0	#14 - 2/0
78205147062	U121314 F	100	4	1Ø/3W	OH/UG	MCC	#14 - 2/0	#14 - 2/0	#14 - 2/0
78205147070	U121315	100	5	3Ø/3W	OH/UG	MCC	#14 - 2/0	#14 - 2/0	#14 - 2/0
78205147072	U121315 F	100	5	3Ø/3W	OH/UG	MCC	#14 - 2/0	#14 - 2/0	#14 - 2/0
78205147080	U121317	100	7	3Ø/4W	OH/UG	MCC	#14 - 1/0	#14 - 2/0	#14 - 2/0
78205147082	U121317 F	100	7	3Ø/4W	OH/UG	MCC	#14 - 1/0	#14 - 2/0	#14 - 2/0
78205160000	U264	200	4	1Ø/3W	OH/UG	MCC	#6 - 250MCM	#6 - 250MCM	#6 - 250MCM
78205160060	U264 F	200	4	1Ø/3W	OH/UG	MCC	#6 - 250MCM	#6 - 250MCM	#6 - 250MCM
78205160020	U267	200	7	3Ø/4W	OH/UG	MCC	#6 - 250MCM	#6 - 250MCM	#6 - 250MCM
78205160080	U267 F	200	7	3Ø/4W	OH/UG	MCC	#6 - 250MCM	#6 - 250MCM	#6 - 250MCM

Part/UPC Number	Catalog Number	Overall Dimensions			Top Provision	Knockout Layout
		Height	Width	Depth		
78205147060	U121314	17"	9 ² / ₃ "	4 ⁵ / ₈ "	AW Hub	Fig. 1
78205147062	U121314 F	17"	9 ² / ₃ "	4 ⁵ / ₈ "	2" max KO	Fig. 1
78205147070	U121315	17"	9 ² / ₃ "	4 ⁵ / ₈ "	AW Hub	Fig. 1
78205147072	U121315 F	17"	9 ² / ₃ "	4 ⁵ / ₈ "	2" max KO	Fig. 1
78205147080	U121317	20"	9 ² / ₃ "	4 ⁵ / ₈ "	AW Hub	Fig. 1
78205147082	U121317 F	20"	9 ² / ₃ "	4 ⁵ / ₈ "	2" max KO	Fig. 1
78205160000	U264	23"	12"	4 ⁵ / ₈ "	AW Hub	Fig. 2
78205160060	U264 F	23"	12"	4 ⁵ / ₈ "	(2) 2" max KO	Fig. 2
78205160020	U267	23"	12"	4 ⁵ / ₈ "	AW Hub	Fig. 3
78205160080	U267 F	23"	12"	4 ⁵ / ₈ "	2 1/2" max KO	Fig. 3

AIC Note:
For short circuit current ratings see page 131.

Single Meter Sockets - With MCC Bypass

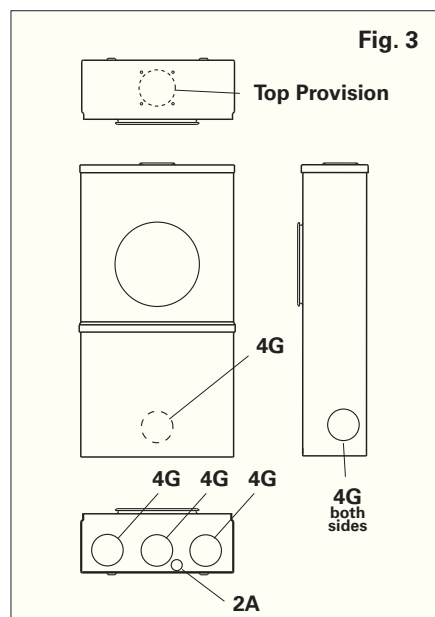
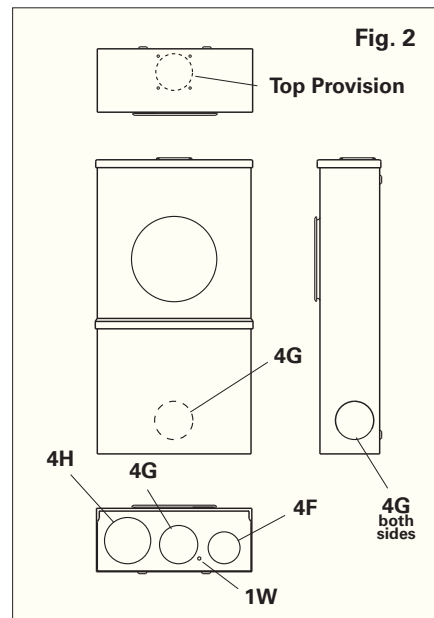
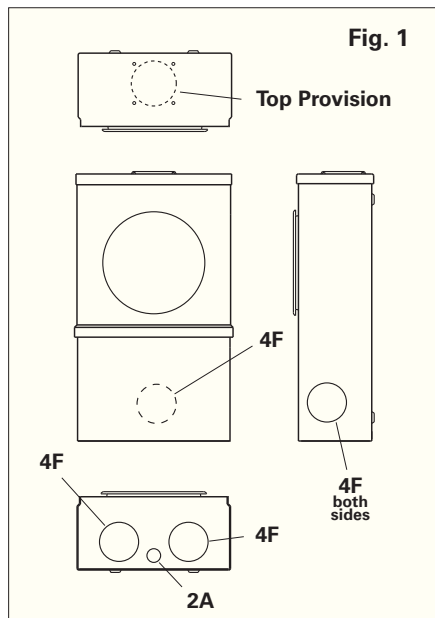
100 & 200 Amp

Style #	Suffixes
(U) 121314	F - Flush Mount
(U) 121315	MS20 - Ring Protector
(U) 121317	MS73 - All Screw Type Ring
(U) 264	SS - Stainless Steel
(U) 267	

Knockouts - Conduit Sizes

2A = 1/2" - 1/4"
 4F = 2" - 1 1/2" - 1 1/4" - 1"
 4G = 2 1/2" - 2" - 1 1/2" - 1 1/4"
 4H = 3" - 2 1/2" - 2" - 1 1/2"
 1W = 1/4"
 Top Provision = See Chart

Knockout Layouts



Single Meter Sockets
With MCC Bypass

Data subject to change without notice. Consult local utility for area acceptance. All dimensions are in inches.