

Self contained - non lever bypass

125 & 200 amp continuous - 600 VAC

Single Meter Sockets



EN20L43GRST
shown open & closed



Application

- Single meter position
- Designed for watt hour meters that meet ANSI C12.10
- Overhead or underground feed
- Surface mount

Construction

- Ringless cover
- Type 3R construction
- 16 Ga. galvanized/galvanneal steel
- 5th jaw provision at nine (9) o'clock

Standards

- UL 414 listed
- Complies with ANSI C12.7

Finish

- ANSI 61 gray painted finish

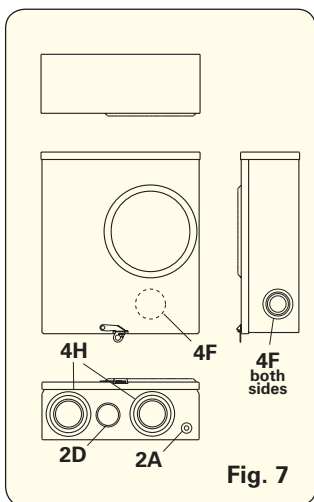
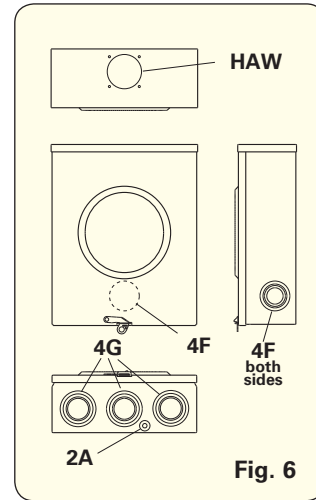
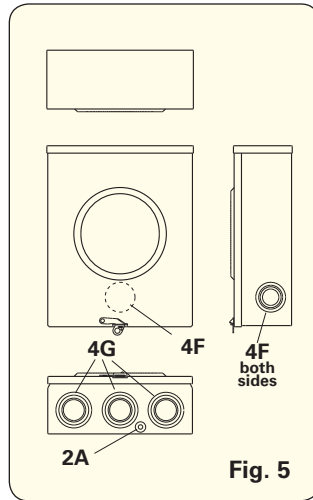
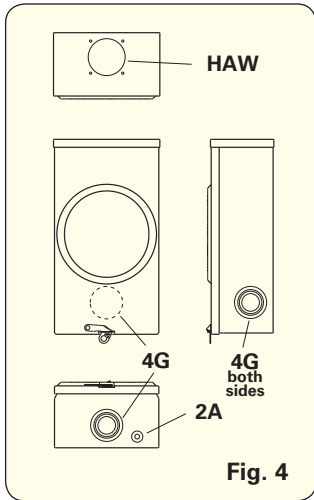
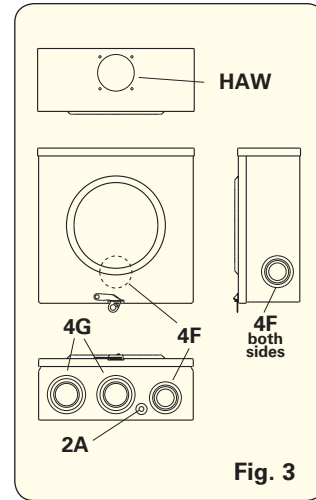
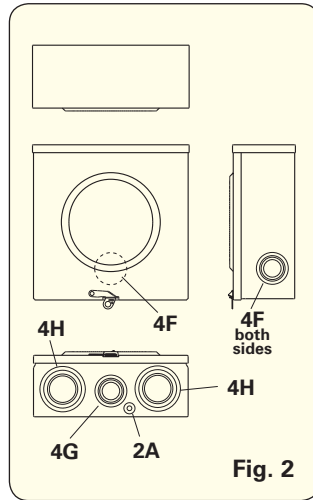
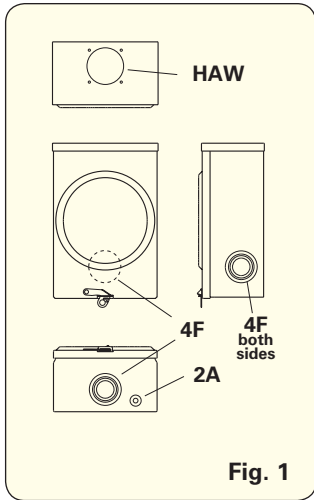
Accessories

- Replacement sockets
- AW hub assemblies
- Cap setscrew assemblies
- Horn bypass cap assemblies
- 5th jaw terminal kits
- Lug kits
- Jumper links
- Closing plates
- Touch-up paint

Part/UPC Number	Catalog Number	Service	Top Provision	Service Type	No. of Terminals	Bypass	Conductors Line/Load	Ground Prov. (Qty)	Overall Dimensions			Knockout Layout
									Height	Width	Depth	
125 Amp - Continuous (AIC Rated per Table RL1 on page 41)												
78205131419	EN12L41GRST	OH	AW Opening	1Ø/3W	4	None	#14 AWG-2/0 AWG #14 AWG-2/0 AWG	(1) #10 AWG-#2 AWG	12 ¹ / ₈ "	8 ¹ / ₄ "	5 ¹ / ₄ "	Fig. 1
78205158677	EN12L41GRST MS76	OH	AW125	1Ø/3W	4	None	#14 AWG-2/0 AWG #14 AWG-2/0 AWG	(1) #10 AWG-#2 AWG	12 ¹ / ₄ "	8 ¹ / ₄ "	5 ¹ / ₄ "	Fig. 1
78205131429	EN12L42GRST	UG	None	1Ø/3W	4	None	#14 AWG-2/0 AWG #14 AWG-2/0 AWG	(1) #10 AWG-#2 AWG	12 ¹ / ₄ "	12 ¹ / ₄ "	5 ¹ / ₄ "	Fig. 2
78205131439	EN12L43GRST	OH/UG	AWCAP	1Ø/3W	4	None	#14 AWG-2/0 AWG #14 AWG-2/0 AWG	(1) #10 AWG-#2 AWG	12 ¹ / ₈ "	12 ¹ / ₄ "	5 ¹ / ₄ "	Fig. 3
200 Amp - Continuous (AIC Rated per Table RL1 on page 41)												
78205131451	EN20L41GRST	OH	AW Opening	1Ø/3W	4	None	#6 AWG-350 KCMIL #6 AWG-350 KCMIL	(1) #10 AWG-#2 AWG	15 ¹ / ₈ "	8 ¹ / ₄ "	5 ¹ / ₄ "	Fig. 4
78205131466	EN20L42GRST	UG	None	1Ø/3W	4	None	#6 AWG-350 KCMIL #6 AWG-350 KCMIL	(1) #10 AWG-#2 AWG	15 ¹ / ₈ "	12 ¹ / ₄ "	5 ¹ / ₄ "	Fig. 5
78205131487	EN20L43GRST	OH/UG	AWCAP	1Ø/3W	4	None	#6 AWG-350 KCMIL #6 AWG-350 KCMIL	(1) #10 AWG-#2 AWG	15 ¹ / ₈ "	12 ¹ / ₄ "	5 ¹ / ₄ "	Fig. 6
78205132561	EN20L44GRST	UG - Bussed Offset	None	1Ø/3W	4	None	#6 AWG-350 KCMIL #6 AWG-350 KCMIL	(1) #10 AWG-#2 AWG	15 ¹ / ₈ "	13 ¹ / ₄ "	5 ¹ / ₄ "	Fig. 7

Data subject to change without notice. Consult local utility for area acceptance. All dimensions are in inches.

Knockout Layouts



Knockouts - Conduit Sizes

- 2A = 1/2" - 3/8" dia.
- 2D = 1 1/2" - 1 1/4"
- 4F = 2" - 1 1/2" - 1 1/4" - 1"
- 4G = 2 1/2" - 2" - 1 1/2" - 1 1/4"
- 4H = 3" - 2 1/2" - 2" - 1 1/2"
- HAW = AW Hub Opening (Small)

Data subject to change without notice. Consult local utility for area acceptance. All dimensions are in inches.