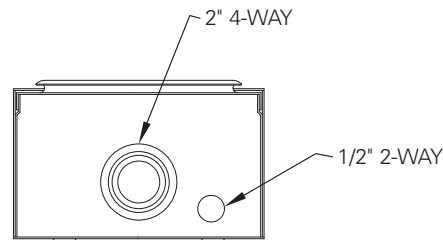
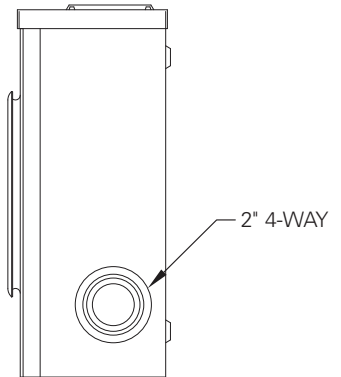
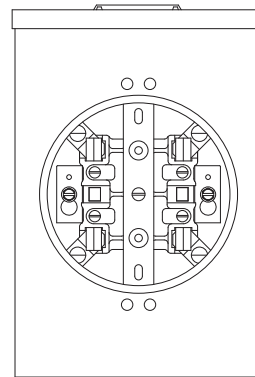
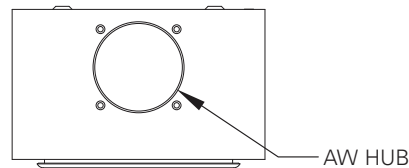


125 amp solar rated meter sockets ring type & ringless

- Designed for solar applications
- 125 amp continuous rating
- 4 jaw, single phase
- Fits meter forms 1S and 2S
- UL listed
- Optional isolated neutral
- NEMA 3R construction
- Dual rated aluminum/copper-wire lay-in lugs
- #14 AWG - 2/0 AWG wire range



Catalog #	Cover	Access	Service Type	Number of Jaws	Accepts Meter Forms	Hub	Bypass	Phase Conductor	Neutral Conductor	Height (in)	Width (in)	Depth (in)
011 MS25	Ring Type	OH/UG	1P3W	4	1S, 2S	AW	None	#14 AWG - 2/0 AWG	#14 AWG - 2/0 AWG	12"	8"	4 5/8"
EN12L41GRST MS25	Ringless	OH/UG	1P3W	4	1S, 2S	AW	None	#14 AWG - 2/0 AWG	#14 AWG - 2/0 AWG	12"	8"	4 5/8"



Eaton
1000 Eaton Boulevard
Cleveland, OH 44122
United States
Eaton.com

© 2015 Eaton
All Rights Reserved
Printed in USA
Publication No. SA307001EN
July 2015 BAMSS

B-Line Division
509 West Monroe Street
Highland, IL 62249
United States
Phone: 800-851-7415

www.cooperline.com/contactus

Eaton is a registered trademark.

All other trademarks are property of their respective owners.

Follow us on social media to get the latest product and support information.

