

# Meter Mains - With Safety Socket Bypass

100 Amp - 10K AIC



214 MTB (closed)



U214 MTB (open)

## Application

- Combination meter/main with safety socket (test block) bypass
- Factory installed breaker
- Receive ANSI C12.10 watt-hour meters
- Surface mount

## Construction

- Ring type
- NEMA Type 3R
- ANSI 61 gray E-coat finish
- Aluminum snap ring included



## Standards

- UL 67 Listed
- ANSI C12.7
- EUSERC 305A

## Accessories

- 5th Jaw Kit - 50371
- Bussed Gutters - see page 51
- AW Hubs

Single Meter Sockets  
With Safety Socket Bypass

Part/UPC Number	Catalog Number	Amp Rating	Jaws	Service Type	Access	Main Breaker		Bypass
						Voltage	AIC	
78205145022	214 MTB	100	4	1Ø/3W	OH	120/240	10K	(1) 100A, 2P TB
78205145032	214 MTB MS15	100	4	1Ø/3W	OH	240/480	10K	(1) 100A, 2P TB
78205145052	215 MTB	100	5	3Ø/3W	OH	240*	10K	(1) 100A, 3P TB
78205145060	215 MTB MS15	100	5	3Ø/3W	OH	480*	10K	(1) 100A, 3P TB
78205145072	217 MTB	100	7	3Ø/4W	OH	120/240 & 120/208	10K	(1) 100A, 3P TB
78205145078	217 MTB MS15	100	7	3Ø/4W	OH	277/480	10K	(1) 100A, 3P TB
78205145012	U214 MTB	100	4	1Ø/3W	OH/UG	120/240	10K	(1) 100A, 2P TB
78205145112	U214 MTB MS15	100	4	1Ø/3W	OH/UG	240/480	10K	(1) 100A, 2P TB
78205145142	U215 MTB	100	5	3Ø/3W	OH/UG	240*	10K	(1) 100A, 3P TB
78205145150	U215 MTB MS15	100	5	3Ø/3W	OH/UG	480*	10K	(1) 100A, 3P TB
78205145152	U217 MTB	100	7	3Ø/4W	OH/UG	120/240 & 120/208	10K	(1) 100A, 3P TB
78205145158	U217 MTB MS15	100	7	3Ø/4W	OH/UG	277/480	10K	(1) 100A, 2P TB

\* For a 208/120V, 1Ø/3W system, order a 4-jaw unit and a 5th jaw kit

Part/UPC Number	Catalog Number	Connections			Overall Dimensions			Top Provision	Knockout Layout
		Line	Load	Neutral	Height	Width	Depth		
78205145022	214 MTB	#14 - 2/0	MCB	#14 - 1/0	38"	12"	4 <sup>5</sup> / <sub>8</sub> "	AW Hub	Fig. 1
78205145032	214 MTB MS15	#14 - 2/0	MCB	#14 - 1/0	38"	12"	4 <sup>5</sup> / <sub>8</sub> "	AW Hub	Fig. 1
78205145052	215 MTB	#14 - 2/0	MCB	#14 - 1/0	38"	12"	4 <sup>5</sup> / <sub>8</sub> "	AW Hub	Fig. 1
78205145060	215 MTB MS15	#14 - 2/0	MCB	#14 - 1/0	38"	12"	4 <sup>5</sup> / <sub>8</sub> "	AW Hub	Fig. 1
78205145072	217 MTB	#14 - 2/0	MCB	#14 - 1/0	38"	12"	4 <sup>5</sup> / <sub>8</sub> "	AW Hub	Fig. 1
78205145078	217 MTB MS15	#14 - 2/0	MCB	#14 - 1/0	38"	12"	4 <sup>5</sup> / <sub>8</sub> "	AW Hub	Fig. 1
78205145012	U214 MTB	#14 - 2/0	MCB	#14 - 1/0	24"	18"	4 <sup>5</sup> / <sub>8</sub> "	AW Hub	Fig. 2
78205145112	U214 MTB MS15	#14 - 2/0	MCB	#14 - 1/0	24"	18"	4 <sup>5</sup> / <sub>8</sub> "	AW Hub	Fig. 2
78205145142	U215 MTB	#14 - 2/0	MCB	#14 - 1/0	24"	18"	4 <sup>5</sup> / <sub>8</sub> "	AW Hub	Fig. 2
78205145150	U215 MTB MS15	#14 - 2/0	MCB	#14 - 1/0	24"	18"	4 <sup>5</sup> / <sub>8</sub> "	AW Hub	Fig. 2
78205145152	U217 MTB	#14 - 2/0	MCB	#14 - 1/0	24"	18"	4 <sup>5</sup> / <sub>8</sub> "	AW Hub	Fig. 2
78205145158	U217 MTB MS15	#14 - 2/0	MCB	#14 - 1/0	24"	18"	4 <sup>5</sup> / <sub>8</sub> "	AW Hub	Fig. 2

MCB - Main Circuit Breaker

# Meter Mains - With Safety Socket Bypass

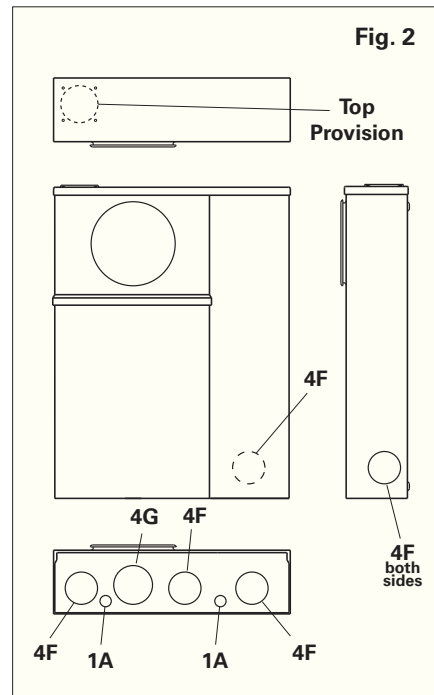
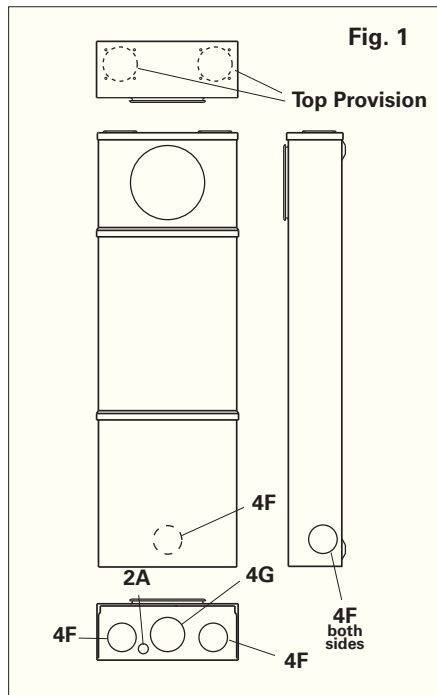
100 Amp - 10K AIC

Style #	Suffixes
(U) 214 MTB	<b>MS15</b> - 480V Breaker
(U) 215 MTB	<b>MS43</b> - No Breaker Included
(U) 217 MTB	<b>SS</b> - Stainless Steel

## Knockouts - Conduit Sizes

1A = 1/2"  
 2A = 1/2" - 1/4"  
 4F = 2" - 1 1/2" - 1 1/4" - 1"  
 4G = 2 1/2" - 2" - 1 1/2" - 1 1/4"  
 Top Provision = See Chart

## Knockout Layouts



Single Meter Sockets  
 With Safety Socket Bypass

Data subject to change without notice. Consult local utility for area acceptance. All dimensions are in inches.

# Meter Mains - With Safety Socket Bypass

100 & 200 Amp - 22K - 65K AIC



214 MTBH (open)



U214 MTBH (open)

## Application

- Combination meter/main with safety socket (test block) bypass
- Factory installed breaker
- Receive ANSI C12.10 watt-hour meters
- Surface mount

## Construction

- Ring type
- NEMA Type 3R
- ANSI 61 gray E-coat finish
- Aluminum snap ring included



## Standards

- UL 67 Listed
- ANSI C12.7
- EUSERC 305A

## Accessories

- 5th Jaw Kit - 50371
- Bussed Gutters - see page 51
- AW Hubs

Single Meter Sockets  
With Safety Socket Bypass

Part/UPC Number	Catalog Number	Amp Rating	Jaws	Service Type	Access	Voltage	Main Breaker AIC	Main	Bypass
78205145030	<b>214 MTBH</b>	100	4	1Ø/3W	OH	120/240	65K	(1) 100A, 2P	TB
78205159300	<b>214 MTBH MS15</b>	100	4	1Ø/3W	OH	240/480	42K	(1) 100A, 2P	TB
78205145028	<b>214 MTBH MS45</b>	100	4	1Ø/3W	OH	120/240	22K	(1) 100A, 2P	TB
78205145058	<b>215 MTBH</b>	100	5	3Ø/3W	OH	240*	65K	(1) 100A, 3P	TB
78205159302	<b>215 MTBH MS15</b>	100	5	3Ø/3W	OH	480*	42K	(1) 100A, 3P	TB
78205145056	<b>215 MTBH MS45</b>	100	5	3Ø/3W	OH	240*	22K	(1) 100A, 3P	TB
78205145076	<b>217 MTBH</b>	100	7	3Ø/4W	OH	120/240 & 120/208	65K	(1) 100A, 3P	TB
78205159304	<b>217 MTBH MS15</b>	100	7	3Ø/4W	OH	480/277	42K	(1) 100A, 3P	TB
78205145074	<b>217 MTBH MS45</b>	100	7	3Ø/4W	OH	120/240 & 120/208	22K	(1) 100A, 3P	TB
78205145110	<b>U214 MTBH</b>	100	4	1Ø/3W	OH/UG	120/240	65K	(1) 100A, 2P	TB
78205159200	<b>U214 MTBH MS15</b>	100	4	1Ø/3W	OH/UG	240/480	42K	(1) 100A, 2P	TB
78205145108	<b>U214 MTBH MS45</b>	100	4	1Ø/3W	OH/UG	120/240	22K	(1) 100A, 2P	TB
78205145148	<b>U215 MTBH</b>	100	5	3Ø/3W	OH/UG	240*	65K	(1) 100A, 3P	TB
78205159202	<b>U215 MTBH MS15</b>	100	5	3Ø/3W	OH/UG	480*	42K	(1) 100A, 3P	TB
78205145146	<b>U215 MTBH MS45</b>	100	5	3Ø/3W	OH/UG	240*	22K	(1) 100A, 3P	TB
78205145156	<b>U217 MTBH</b>	100	7	3Ø/4W	OH/UG	120/240 & 120/208	65K	(1) 100A, 3P	TB
78205159204	<b>U217 MTBH MS15</b>	100	7	3Ø/4W	OH/UG	480/277	42K	(1) 100A, 3P	TB
78205145154	<b>U217 MTBH MS45</b>	100	7	3Ø/4W	OH/UG	120/240 & 120/208	22K	(1) 100A, 3P	TB

\* For a 208/120V, 1Ø/3W system, order a 4-jaw unit and a 5th jaw kit

Part/UPC Number	Catalog Number	Line	Connections Load	Neutral	Height	Overall Dimensions Width	Depth	Top Provision	Knockout Layout
78205145030	<b>214 MTBH</b>	#14 - 2/0	MCB	#14 - 1/0	38"	12"	4 <sup>5</sup> / <sub>8</sub> "	AW Hub	Fig. 1
78205159300	<b>214 MTBH MS15</b>	#14 - 2/0	MCB	#14 - 1/0	38"	12"	4 <sup>5</sup> / <sub>8</sub> "	AW Hub	Fig. 1
78205145028	<b>214 MTBH MS45</b>	#14 - 2/0	MCB	#14 - 1/0	38"	12"	4 <sup>5</sup> / <sub>8</sub> "	AW Hub	Fig. 1
78205145058	<b>215 MTBH</b>	#14 - 2/0	MCB	#14 - 1/0	38"	12"	4 <sup>5</sup> / <sub>8</sub> "	AW Hub	Fig. 1
78205159302	<b>215 MTBH MS15</b>	#14 - 2/0	MCB	#14 - 1/0	38"	12"	4 <sup>5</sup> / <sub>8</sub> "	AW Hub	Fig. 1
78205145056	<b>215 MTBH MS45</b>	#14 - 2/0	MCB	#14 - 1/0	38"	12"	4 <sup>5</sup> / <sub>8</sub> "	AW Hub	Fig. 1
78205145076	<b>217 MTBH</b>	#14 - 2/0	MCB	#14 - 1/0	38"	12"	4 <sup>5</sup> / <sub>8</sub> "	AW Hub	Fig. 1
78205159304	<b>217 MTBH MS15</b>	#14 - 2/0	MCB	#14 - 1/0	38"	12"	4 <sup>5</sup> / <sub>8</sub> "	AW Hub	Fig. 1
78205145074	<b>217 MTBH MS45</b>	#14 - 2/0	MCB	#14 - 1/0	38"	12"	4 <sup>5</sup> / <sub>8</sub> "	AW Hub	Fig. 1
78205145110	<b>U214 MTBH</b>	#14 - 2/0	MCB	#14 - 1/0	24"	18"	4 <sup>5</sup> / <sub>8</sub> "	AW Hub	Fig. 2
78205159200	<b>U214 MTBH MS15</b>	#14 - 2/0	MCB	#14 - 1/0	24"	18"	4 <sup>5</sup> / <sub>8</sub> "	AW Hub	Fig. 2
78205145108	<b>U214 MTBH MS45</b>	#14 - 2/0	MCB	#14 - 1/0	24"	18"	4 <sup>5</sup> / <sub>8</sub> "	AW Hub	Fig. 2
78205145148	<b>U215 MTBH</b>	#14 - 2/0	MCB	#14 - 1/0	24"	18"	4 <sup>5</sup> / <sub>8</sub> "	AW Hub	Fig. 2
78205159202	<b>U215 MTBH MS15</b>	#14 - 2/0	MCB	#14 - 1/0	24"	18"	4 <sup>5</sup> / <sub>8</sub> "	AW Hub	Fig. 2
78205145146	<b>U215 MTBH MS45</b>	#14 - 2/0	MCB	#14 - 1/0	24"	18"	4 <sup>5</sup> / <sub>8</sub> "	AW Hub	Fig. 2
78205145156	<b>U217 MTBH</b>	#14 - 2/0	MCB	#14 - 1/0	24"	18"	4 <sup>5</sup> / <sub>8</sub> "	AW Hub	Fig. 2
78205159204	<b>U217 MTBH MS15</b>	#14 - 2/0	MCB	#14 - 1/0	24"	18"	4 <sup>5</sup> / <sub>8</sub> "	AW Hub	Fig. 2
78205145154	<b>U217 MTBH MS45</b>	#14 - 2/0	MCB	#14 - 1/0	24"	18"	4 <sup>5</sup> / <sub>8</sub> "	AW Hub	Fig. 2

MCB - Main Circuit Breaker

Data subject to change without notice. Consult local utility for area acceptance. All dimensions are in inches.

# Meter Mains - With Safety Socket Bypass

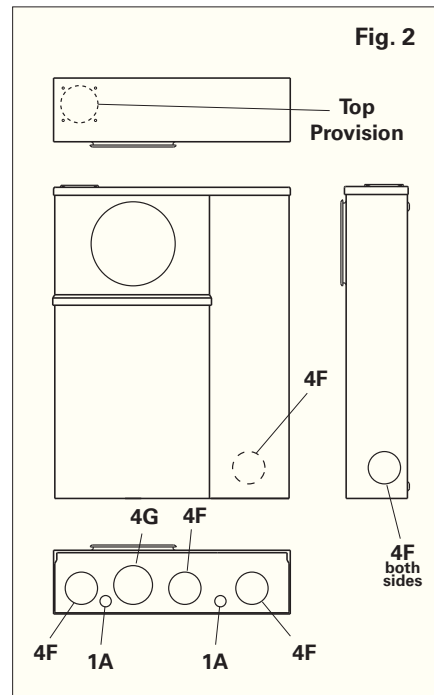
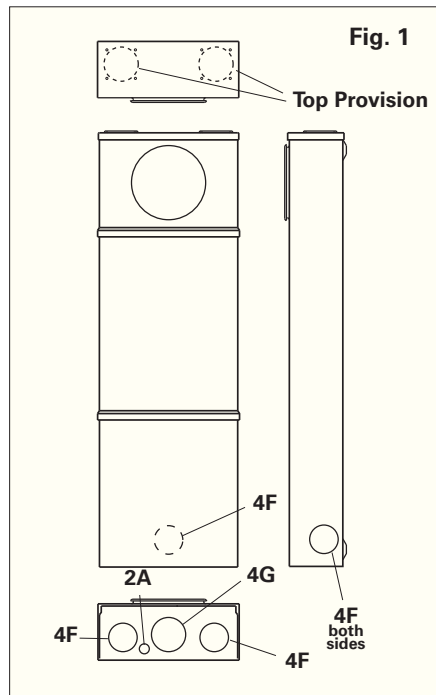
100 & 200 Amp - 22K - 65K AIC

Style #	Suffixes
(U) 214 MTBH	<b>MS15</b> - 480V Breaker
(U) 215 MTBH	<b>MS43</b> - No Breaker Included
(U) 217 MTBH	<b>MS45</b> - 22K AIC Rated Breaker
	<b>SS</b> - Stainless Steel

## Knockouts - Conduit Sizes

1A = 1/2"  
 2A = 1/2" - 1/4"  
 4F = 2" - 1 1/2" - 1 1/4" - 1"  
 4G = 2 1/2" - 2" - 1 1/2" - 1 1/4"  
 Top Provision = See Chart

## Knockout Layouts



Single Meter Sockets  
 With Safety Socket Bypass

Data subject to change without notice. Consult local utility for area acceptance. All dimensions are in inches.

# Meter Mains - With Safety Socket Bypass

## 100 Amp - Fusible Pullout



U214 MTBP (open)

### Application

- Combination meter/main with safety socket (test block) bypass
- Factory installed fused pullout ("T" fuses included)
- Receive ANSI C12.10 watt-hour meters
- Surface mount

### Construction

- Ring type
- NEMA Type 3R
- ANSI 61 gray E-coat finish
- Aluminum snap ring included



### Standards

- UL 67 Listed
- ANSI C12.7
- EUSERC 305A

### Accessories

- 5th Jaw Kit - 50371
- Bussed Gutters - see page 51
- AW Hubs

214 MTBP (open)

Single Meter Sockets  
With Safety Socket Bypass

Part/UPC Number	Catalog Number	Amp Rating	Jaws	Service Type	Access	Main Breaker		Main	Bypass
						Voltage	AIC		
78205148000	<b>214 MTBP</b>	100	4	1Ø/3W	OH	120/240	200K	(1) 100A, 2P	TB
78205152000	<b>214 MTBP MS15</b>	100	4	1Ø/3W	OH	240/480	200K	(1) 100A, 2P	TB
78205148020	<b>215 MTBP</b>	100	5	3Ø/3W	OH	240*	200K	(1) 100A, 3P	TB
78205152010	<b>215 MTBP MS15</b>	100	5	3Ø/3W	OH	480*	200K	(1) 100A, 3P	TB
78205148030	<b>217 MTBP</b>	100	7	3Ø/4W	OH	120/240 & 120/208	200K	(1) 100A, 3P	TB
78205152020	<b>217 MTBP MS15</b>	100	7	3Ø/4W	OH	480/277	200K	(1) 100A, 3P	TB
78205148080	<b>U214 MTBP</b>	100	4	1Ø/2W	OH/UG	120/240	200K	(1) 100A, 2P	TB
78205152060	<b>U214 MTBP MS15</b>	100	4	1Ø/2W	OH/UG	240/480	200K	(1) 100A, 2P	TB
78205148100	<b>U215 MTBP</b>	100	5	3Ø/3W	OH/UG	240*	200K	(1) 100A, 3P	TB
78205152070	<b>U215 MTBP MS15</b>	100	5	3Ø/3W	OH/UG	480*	200K	(1) 100A, 3P	TB
78205148110	<b>U217 MTBP</b>	100	7	3Ø/4W	OH/UG	120/240 & 120/208	200K	(1) 100A, 3P	TB
78205152100	<b>U217 MTBP MS15</b>	100	7	3Ø/4W	OH/UG	480/277	200K	(1) 100A, 3P	TB

\* For a 208/120V, 1Ø/3W system, order a 4-jaw unit and a 5th jaw kit

Part/UPC Number	Catalog Number	Connections			Overall Dimensions			Top Provision	Knockout Layout
		Line	Load	Neutral	Height	Width	Depth		
78205148000	<b>214 MTBP</b>	#14 - 2/0	Main Fuse	#14 - 1/0	38"	12"	4 <sup>5</sup> / <sub>8</sub> "	AW Hub	Fig. 1
78205152000	<b>214 MTBP MS15</b>	#14 - 2/0	Main Fuse	#14 - 1/0	38"	12"	4 <sup>5</sup> / <sub>8</sub> "	AW Hub	Fig. 1
78205148020	<b>215 MTBP</b>	#14 - 2/0	Main Fuse	#14 - 1/0	38"	12"	4 <sup>5</sup> / <sub>8</sub> "	AW Hub	Fig. 1
78205152010	<b>215 MTBP MS15</b>	#14 - 2/0	Main Fuse	#14 - 1/0	38"	12"	4 <sup>5</sup> / <sub>8</sub> "	AW Hub	Fig. 1
78205148030	<b>217 MTBP</b>	#14 - 2/0	Main Fuse	#14 - 1/0	38"	12"	4 <sup>5</sup> / <sub>8</sub> "	AW Hub	Fig. 1
78205152020	<b>217 MTBP MS15</b>	#14 - 2/0	Main Fuse	#14 - 1/0	38"	12"	4 <sup>5</sup> / <sub>8</sub> "	AW Hub	Fig. 1
78205148080	<b>U214 MTBP</b>	#14 - 2/0	Main Fuse	#14 - 1/0	24"	18"	4 <sup>5</sup> / <sub>8</sub> "	AW Hub	Fig. 2
78205152060	<b>U214 MTBP MS15</b>	#14 - 2/0	Main Fuse	#14 - 1/0	24"	18"	4 <sup>5</sup> / <sub>8</sub> "	AW Hub	Fig. 2
78205148100	<b>U215 MTBP</b>	#14 - 2/0	Main Fuse	#14 - 1/0	24"	18"	4 <sup>5</sup> / <sub>8</sub> "	AW Hub	Fig. 2
78205152070	<b>U215 MTBP MS15</b>	#14 - 2/0	Main Fuse	#14 - 1/0	24"	18"	4 <sup>5</sup> / <sub>8</sub> "	AW Hub	Fig. 2
78205148110	<b>U217 MTBP</b>	#14 - 2/0	Main Fuse	#14 - 1/0	24"	18"	4 <sup>5</sup> / <sub>8</sub> "	AW Hub	Fig. 2
78205152100	<b>U217 MTBP MS15</b>	#14 - 2/0	Main Fuse	#14 - 1/0	24"	18"	4 <sup>5</sup> / <sub>8</sub> "	AW Hub	Fig. 2

# Meter Mains - With Safety Socket Bypass

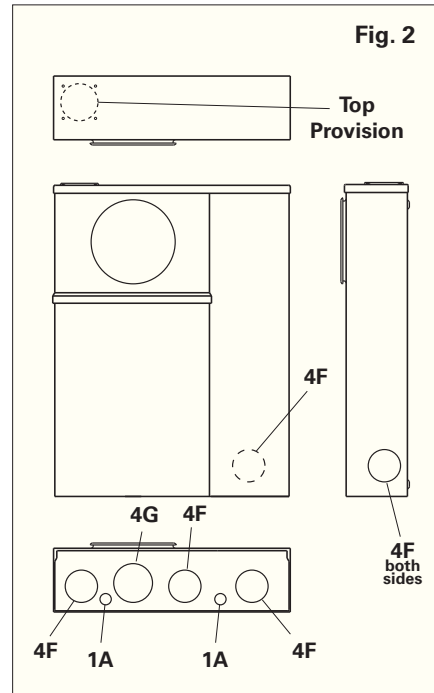
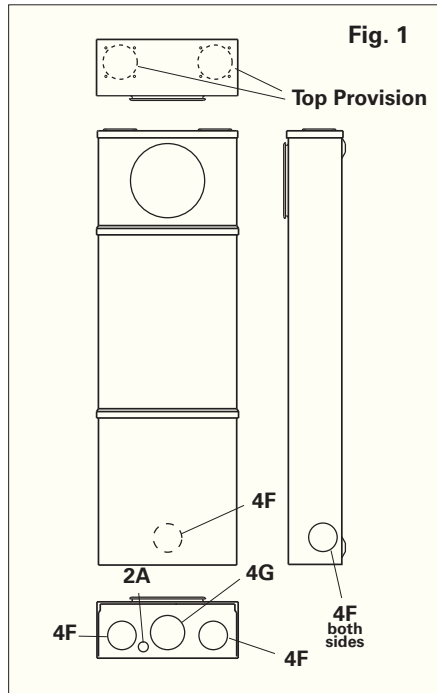
100 Amp - Fusible Pullout

Style #	Suffixes
(U) 214 MTBP	<b>P</b> - Pullout Fuse
(U) 215 MTBP	<b>MS15</b> - 480V Breaker
(U) 217 MTBP	<b>MS43</b> - No Breaker Included
	<b>SS</b> - Stainless Steel

## Knockouts - Conduit Sizes

1A = 1/2"  
 2A = 1/2" - 1/4"  
 4F = 2" - 1 1/2" - 1 1/4" - 1"  
 4G = 2 1/2" - 2" - 1 1/2" - 1 1/4"  
 Top Provision = See Chart

## Knockout Layouts



Single Meter Sockets  
 With Safety Socket Bypass

Data subject to change without notice. Consult local utility for area acceptance. All dimensions are in inches.

# Meter Main Load Center - With Safety Socket Bypass

100 Amp



U214 MTBL (closed)



U214 MTBL (open)

## Application

- Combination meter/main/loadcenter with safety socket (test block) bypass
- Factory installed breakers / fused pullout ("T" fuses included)
- Receive ANSI C12.10 watt-hour meters
- Surface mount



## Construction

- Ring type
- NEMA Type 3R
- ANSI 61 gray E-coat finish
- Aluminum snap ring included

## Standards

- UL 67 Listed
- ANSI C12.7

## Accessories

- 5th Jaw Kit - 50371
- Bussed Gutters - see page 51
- AW Hubs

Single Meter Sockets  
With Safety Socket Bypass

Part/UPC Number	Catalog Number	Amp Rating	Jaws	Service Type	Access	Main Breaker				
						Voltage	AIC	Main	Loadcenter	Bypass
78205170126	<b>U214 MTBL</b>	100	4	1Ø/3W	OH/UG	120/240	10K	(1) 100A, 2P	12/24	TB
78205170128	<b>U214 MTBPL</b>	100	4	1Ø/3W	OH/UG	120/240	10K	(1) 100A, 2P	12/24	TB
78205170130	<b>U215 MTBL</b>	100	5	3Ø/4W	OH/UG	240*	10K	(1) 100A, 3P	18/36	TB
78205170132	<b>U215 MTBPL</b>	100	5	3Ø/4W	OH/UG	240*	10K	(1) 100A, 3P	18/36	TB
78205170134	<b>U217 MTBL</b>	100	7	3Ø/4W	OH/UG	120/240 & 120/208	10K	(1) 100A, 3P	18/36	TB
78205170136	<b>U217 MTBPL</b>	100	7	3Ø/4W	OH/UG	120/208	10K	(1) 100A, 3P	18/36	TB

\* For a 208/120V, 1Ø/3W system, order a 4-jaw unit and a 5th jaw kit

Part/UPC Number	Catalog Number	Connections			Overall Dimensions			Top Provision	Knockout Layout
		Line	Load	Neutral	Height	Width	Depth		
78205170126	<b>U214 MTBL</b>	#14 - 2/0	MCB	#14 - 1/0	24"	20"	4 <sup>5</sup> / <sub>8</sub> "	AW Hub	Fig. 1
78205170128	<b>U214 MTBPL</b>	#14 - 2/0	Main Fuse	#14 - 1/0	24"	25"	4 <sup>5</sup> / <sub>8</sub> "	AW Hub	Fig. 2
78205170130	<b>U215 MTBL</b>	#14 - 2/0	MCB	#14 - 1/0	24"	25"	4 <sup>5</sup> / <sub>8</sub> "	AW Hub	Fig. 2
78205170132	<b>U215 MTBPL</b>	#14 - 2/0	Main Fuse	#14 - 1/0	28"	25"	4 <sup>5</sup> / <sub>8</sub> "	AW Hub	Fig. 2
78205170134	<b>U217 MTBL</b>	#14 - 2/0	MCB	#14 - 1/0	24"	25"	4 <sup>5</sup> / <sub>8</sub> "	AW Hub	Fig. 2
78205170136	<b>U217 MTBPL</b>	#14 - 2/0	Main Fuse	#14 - 1/0	28"	25"	4 <sup>5</sup> / <sub>8</sub> "	AW Hub	Fig. 2

MCB - Main Circuit Breaker

# Meter Main Load Center - With Safety Socket Bypass

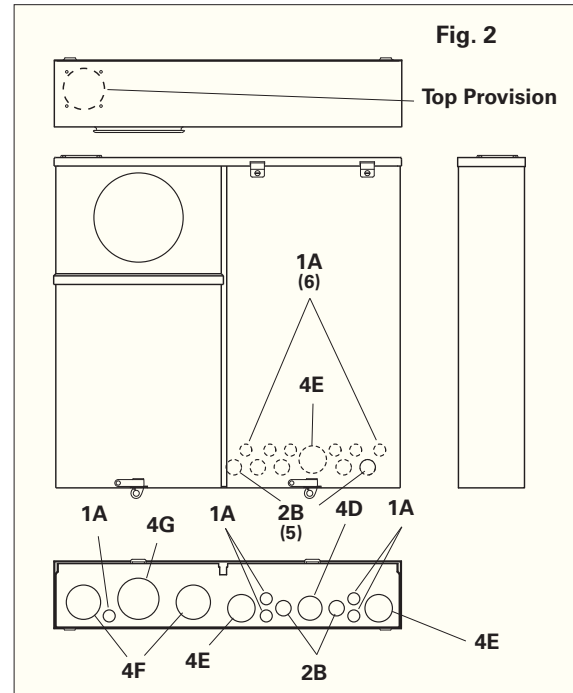
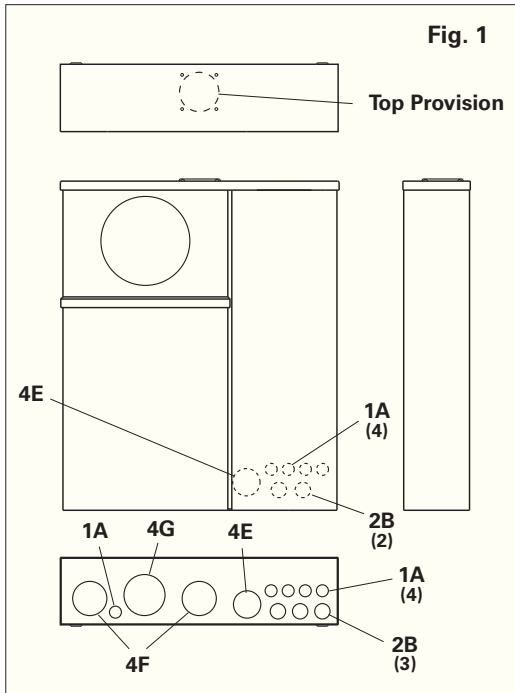
100 Amp

Style #	Suffixes
(U) 214 MTBL	<b>P</b> - Pullout Fuse
(U) 214 MTBPL	<b>MS43</b> - No Breaker Included
(U) 215 MTBL	<b>SS</b> - Stainless Steel
(U) 215 MTBPL	
(U) 217 MTBL	
(U) 217 MTBPL	

## Knockouts - Conduit Sizes

1A = 1/2"
2B = 3/4" - 1/2"
4D = 1 1/4" - 1" - 3/4" - 1/2"
4E = 1 1/2" - 1 1/4" - 1" - 3/4"
4F = 2" - 1 1/2" - 1 1/4" - 1"
4G = 2 1/2" - 2" - 1 1/2" - 1 1/4"
Top Provision = See Chart

## Knockout Layouts



Single Meter Sockets  
With Safety Socket Bypass

Data subject to change without notice. Consult local utility for area acceptance. All dimensions are in inches.



# Meter Main Load Center - With Safety Socket Bypass

200 Amp - 10K AIC



224 MTB (open)



U224 MTB (open)

## Application

- Combination meter/main with safety socket (test block) bypass
- Factory installed breaker
- Receive ANSI C12.10 watt-hour meters
- Surface mount

## Construction

- Ring type
- NEMA Type 3R
- ANSI 61 gray E-coat finish
- Aluminum snap ring included



## Standards

- UL 67 Listed
- ANSI C12.7
- EUSERC 305A

## Accessories

- 5th Jaw Kit - 50371
- Bussed Gutters - see page 51
- AW Hubs

Single Meter Sockets  
With Safety Socket Bypass

Part/UPC Number	Catalog Number	Amp Rating	Jaws	Service Type	Access	Main Breaker			
						Voltage	AIC	Main	Bypass
78205159065	<b>224 MTB</b>	200	4	1Ø/3W	OH	120/240	10K	(1) 200A, 2P	TB
78205159085	<b>225 MTB</b>	200	5	3Ø/3W	OH	240*	10K	(1) 200A, 3P	TB
78205159095	<b>227 MTB</b>	200	7	3Ø/4W	OH	120/240 & 120/208	10K	(1) 200A, 3P	TB
78205170141	<b>U224 M11TB</b>	200	4	1Ø/3W	OH/UG	120/240	10K	(2) 100A, 2P	TB
78205159125	<b>U224 MTB</b>	200	4	1Ø/3W	OH/UG	120/240	10K	(1) 200A, 2P	TB
78205159145	<b>U225 MTB</b>	200	5	3Ø/3W	OH/UG	240*	10K	(1) 200A, 3P	TB
78205159155	<b>U227 MTB</b>	200	7	3Ø/4W	OH/UG	120/240 & 120/208	10K	(1) 200A, 3P	TB

\* For a 208/120V, 1Ø/3W system, order a 4-jaw unit and a 5th jaw kit

Part/UPC Number	Catalog Number	Connections			Overall Dimensions			Top Provision	Knockout Layout
		Line	Load	Neutral	Height	Width	Depth		
78205159065	<b>224 MTB</b>	#6 - 250 MCM	MCB	#6 - 250 MCM	48"	14"	6"	AW Hub	Fig. 1
78205159085	<b>225 MTB</b>	#6 - 250 MCM	MCB	#6 - 250 MCM	48"	14"	6"	AW Hub	Fig. 1
78205159095	<b>227 MTB</b>	#6 - 250 MCM	MCB	#6 - 250 MCM	48"	14"	6"	AW Hub	Fig. 1
78205170141	<b>U224 M11TB</b>	#6 - 250 MCM	MCB	#6 - 250 MCM	30"	22"	6"	AW Hub	Fig. 3
78205159125	<b>U224 MTB</b>	#6 - 250 MCM	MCB	#6 - 250 MCM	30"	22"	6"	AW Hub	Fig. 2
78205159145	<b>U225 MTB</b>	#6 - 250 MCM	MCB	#6 - 250 MCM	30"	22"	6"	AW Hub	Fig. 2
78205159155	<b>U227 MTB</b>	#6 - 250 MCM	MCB	#6 - 250 MCM	30"	22"	6"	AW Hub	Fig. 2

MCB - Main Circuit Breaker

# Meter Main Load Center - With Safety Socket Bypass

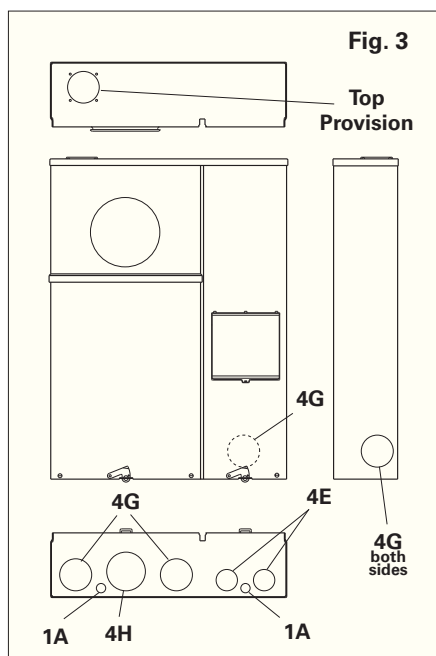
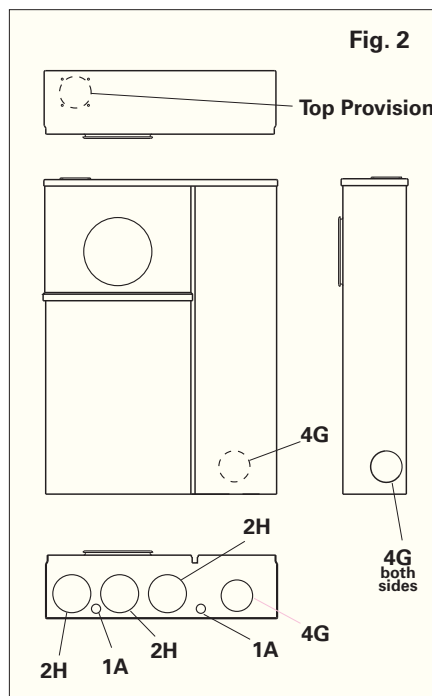
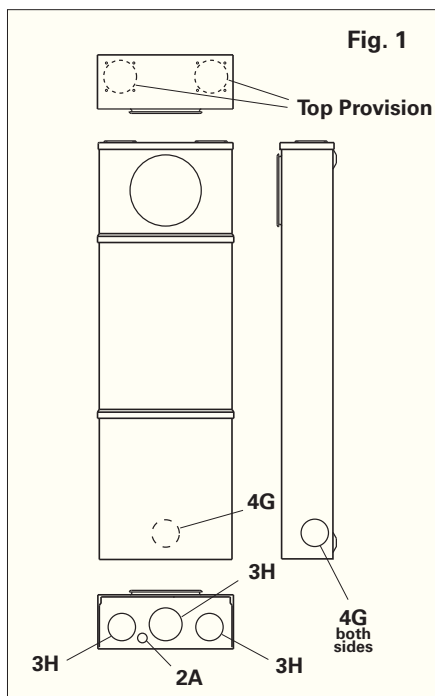
200 Amp - 10K AIC

Style #	Suffixes
(U) 224 MTB	<b>MS43</b> - No Breaker Included
(U) 224 M11TB	<b>SS</b> - Stainless Steel
(U) 225 MTB	
(U) 227 MTB	

### Knockouts - Conduit Sizes

1A = 1/2"
2A = 1/2" - 1/4"
4E = 1 1/2" - 1 1/4" - 1" - 3/4"
4G = 2 1/2" - 2" - 1 1/2" - 1 1/4"
2H = 3" - 2 1/2"
3H = 3" - 2 1/2" - 2"
4H = 3" - 2 1/2" - 2" - 1 1/2"
Top Provision = See Chart

### Knockout Layouts



Single Meter Sockets  
With Safety Socket Bypass

Data subject to change without notice. Consult local utility for area acceptance. All dimensions are in inches.

# Meter Main - With Safety Socket Bypass

## 200 Amp - 22K-65K AIC



U224 MTBH (open)

224 MTBH (open)

### Application

- Combination meter/main with safety socket (test block) bypass
- Factory installed breaker
- Receive ANSI C12.10 watt-hour meters
- Surface mount

### Construction

- Ring type
- NEMA Type 3R
- ANSI 61 gray E-coat finish
- Aluminum snap ring included



### Standards

- UL 67 Listed
- ANSI C12.7
- EUSERC 305A

### Accessories

- 5th Jaw Kit - 50371
- Bussed Gutters - see page 51
- AW Hubs

Single Meter Sockets  
With Safety Socket Bypass

Part/UPC Number	Catalog Number	Amp Rating	Jaws	Service Type	Access	Voltage	Main Breaker AIC	Main	Bypass
78205159081	<b>224 MTBH</b>	200	4	1Ø/3W	OH	120/240	42K	(1) 200A, 2P	TB
78205159306	<b>224 MTBH MS15</b>	200	4	1Ø/3W	OH	240/480	22K	(1) 200A, 2P	TB
78205159079	<b>224 MTBH MS45</b>	200	4	1Ø/3W	OH	120/240	22K	(1) 200A, 2P	TB
78205159091	<b>225 MTBH</b>	200	5	3Ø/3W	OH	240*	42K	(1) 200A, 3P	TB
78205159308	<b>225 MTBH MS15</b>	200	5	3Ø/3W	OH	480*	22K	(1) 200A, 3P	TB
78205159089	<b>225 MTBH MS45</b>	200	5	3Ø/3W	OH	240*	22K	(1) 200A, 3P	TB
78205159159	<b>227 MTBH</b>	200	7	3Ø/4W	OH	120/240 & 120/208	42K	(1) 200A, 3P	TB
78205159310	<b>227 MTBH MS15</b>	200	7	3Ø/4W	OH	480/277	22K	(1) 200A, 3P	TB
78205159097	<b>227 MTBH MS45</b>	200	7	3Ø/4W	OH	120/240 & 120/208	22K	(1) 200A, 3P	TB
78205159141	<b>U224 MTBH</b>	200	4	1Ø/3W	OH/UG	120/240	42K	(1) 200A, 2P	TB
78205159206	<b>U224 MTBH MS15</b>	200	4	1Ø/3W	OH/UG	240/480	22K	(1) 200A, 2P	TB
78205159139	<b>U224 MTBH MS45</b>	200	4	1Ø/3W	OH/UG	120/240	22K	(1) 200A, 2P	TB
78205159151	<b>U225 MTBH</b>	200	5	3Ø/3W	OH/UG	240*	42K	(1) 200A, 3P	TB
78205159208	<b>U225 MTBH MS15</b>	200	5	3Ø/3W	OH/UG	480*	22K	(1) 200A, 3P	TB
78205159149	<b>U225 MTBH MS45</b>	200	5	3Ø/3W	OH/UG	240*	22K	(1) 200A, 3P	TB
78205159159	<b>U227 MTBH</b>	200	7	3Ø/4W	OH/UG	120/240 & 120/208	42K	(1) 200A, 3P	TB
78205159210	<b>U227 MTBH MS15</b>	200	7	3Ø/4W	OH/UG	480/277	22K	(1) 200A, 3P	TB
78205159157	<b>U227 MTBH MS45</b>	200	7	3Ø/4W	OH/UG	120/240 & 120/208	22K	(1) 200A, 3P	TB

\* For a 208/120V, 1Ø/3W system, order a 4-jaw unit and a 5th jaw kit

Part/UPC Number	Catalog Number	Line	Connections Load	Neutral	Height	Overall Dimensions Width	Depth	Top Provision	Knockout Layout
78205159081	<b>224 MTBH</b>	#6 - 250 MCM	MCB	#6 - 250 MCM	48"	14"	6"	AW Hub	Fig. 1
78205159306	<b>224 MTBH MS15</b>	#6 - 250 MCM	MCB	#6 - 250 MCM	48"	14"	6"	AW Hub	Fig. 1
78205159079	<b>224 MTBH MS45</b>	#6 - 250 MCM	MCB	#6 - 250 MCM	48"	14"	6"	AW Hub	Fig. 1
78205159091	<b>225 MTBH</b>	#6 - 250 MCM	MCB	#6 - 250 MCM	48"	14"	6"	AW Hub	Fig. 1
78205159308	<b>225 MTBH MS15</b>	#6 - 250 MCM	MCB	#6 - 250 MCM	48"	14"	6"	AW Hub	Fig. 1
78205159089	<b>225 MTBH MS45</b>	#6 - 250 MCM	MCB	#6 - 250 MCM	48"	14"	6"	AW Hub	Fig. 1
78205159159	<b>227 MTBH</b>	#6 - 250 MCM	MCB	#6 - 250 MCM	48"	14"	6"	AW Hub	Fig. 1
78205159310	<b>227 MTBH MS15</b>	#6 - 250 MCM	MCB	#6 - 250 MCM	48"	14"	6"	AW Hub	Fig. 1
78205159097	<b>227 MTBH MS45</b>	#6 - 250 MCM	MCB	#6 - 250 MCM	48"	14"	6"	AW Hub	Fig. 1
78205159141	<b>U224 MTBH</b>	#6 - 250 MCM	MCB	#6 - 250 MCM	30"	22"	6"	AW Hub	Fig. 2
78205159206	<b>U224 MTBH MS15</b>	#6 - 250 MCM	MCB	#6 - 250 MCM	30"	22"	6"	AW Hub	Fig. 2
78205159139	<b>U224 MTBH MS45</b>	#6 - 250 MCM	MCB	#6 - 250 MCM	30"	22"	6"	AW Hub	Fig. 2
78205159151	<b>U225 MTBH</b>	#6 - 250 MCM	MCB	#6 - 250 MCM	30"	22"	6"	AW Hub	Fig. 2
78205159208	<b>U225 MTBH MS15</b>	#6 - 250 MCM	MCB	#6 - 250 MCM	30"	22"	6"	AW Hub	Fig. 2
78205159149	<b>U225 MTBH MS45</b>	#6 - 250 MCM	MCB	#6 - 250 MCM	30"	22"	6"	AW Hub	Fig. 2
78205159159	<b>U227 MTBH</b>	#6 - 250 MCM	MCB	#6 - 250 MCM	30"	22"	6"	AW Hub	Fig. 2
78205159210	<b>U227 MTBH MS15</b>	#6 - 250 MCM	MCB	#6 - 250 MCM	30"	22"	6"	AW Hub	Fig. 2
78205159157	<b>U227 MTBH MS45</b>	#6 - 250 MCM	MCB	#6 - 250 MCM	30"	22"	6"	AW Hub	Fig. 2

MCB - Main Circuit Breaker

Data subject to change without notice. Consult local utility for area acceptance. All dimensions are in inches.

# Meter Main - With Safety Socket Bypass

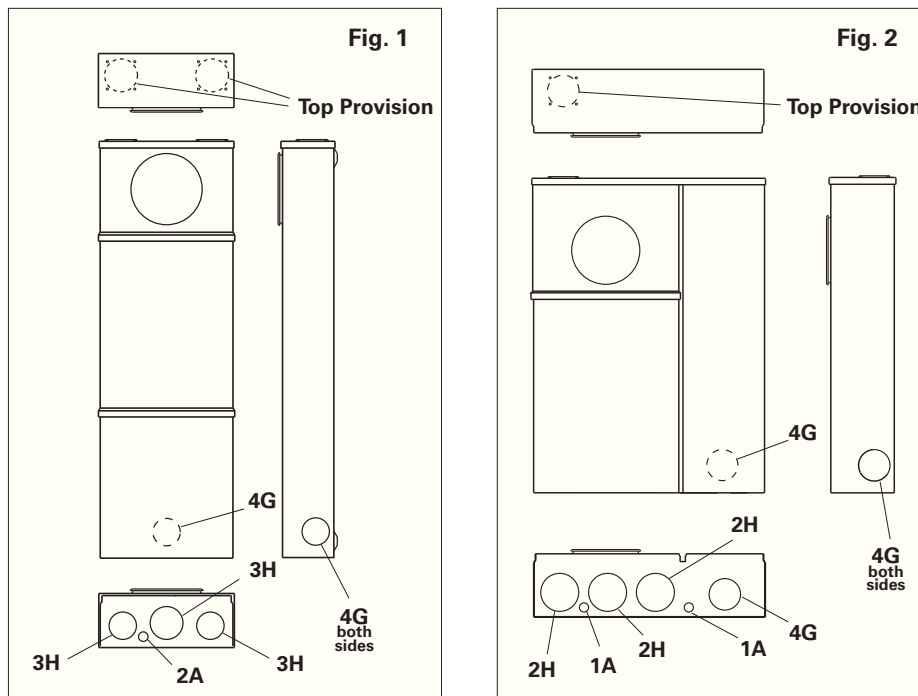
200 Amp - 22K-65K AIC

Style #	Suffixes
(U) 224 MTBH	<b>MS15</b> - 480V Breaker
(U) 225 MTBH	<b>MS43</b> - No Breaker Included
(U) 227 MTBH	<b>MS45</b> - 22K AIC Rated Breaker
	<b>SS</b> - Stainless Steel

## Knockouts - Conduit Sizes

1A = 1/2"  
 2A = 1/2" - 1/4"  
 4G = 2 1/2" - 2" - 1 1/2" - 1 1/4"  
 2H = 3" - 2 1/2"  
 3H = 3" - 2 1/2" - 2"  
 Top Provision = See Chart

## Knockout Layouts



Single Meter Sockets  
 With Safety Socket Bypass

Data subject to change without notice. Consult local utility for area acceptance. All dimensions are in inches.

# Meter Main - With Safety Socket Bypass

## 200 Amp - Fusible Pullout



224 MTBP (open)



U224 MTBP (open)

### Application

- Combination meter/main with safety socket (test block) bypass
- Factory installed breaker
- Receive ANSI C12.10 watt-hour meters
- Surface mount

### Construction

- Ring type
- NEMA Type 3R
- ANSI 61 gray E-coat finish
- Aluminum snap ring included



### Standards

- UL 67 Listed
- ANSI C12.7
- EUSERC 305A

### Accessories

- 5th Jaw Kit - 50371
- Bussed Gutters - see page 51
- AW Hubs

Single Meter Sockets  
With Safety Socket Bypass

Part/UPC Number	Catalog Number	Amp Rating	Jaws	Service Type	Access	Main Breaker			
						Voltage	AIC	Main	Bypass
78205161000	224 MTBP	200	4	1Ø/3W	OH	120/240	200K	(1) 200A, 2P	TB
78205163000	224 MTBP MS15	200	4	1Ø/3W	OH	240/480	200K	(1) 200A, 2P	TB
78205161080	225 MTBP	200	5	3Ø/3W	OH	240*	200K	(1) 200A, 3P	TB
78205107971	225 MTBP MS15	200	5	3Ø/3W	OH	480*	200K	(1) 200A, 3P	TB
78205161100	227 MTBP	200	7	3Ø/4W	OH	120/240 & 120/208	200K	(1) 200A, 3P	TB
78205163020	227 MTBP MS15	200	7	3Ø/4W	OH	480/277	200K	(1) 200A, 3P	TB
78205162000	U224 MTBP	200	4	1Ø/3W	OH/UG	120/240	200K	(1) 200A, 2P	TB
78205163040	U224 MTBP MS15	200	4	1Ø/3W	OH/UG	240/480	200K	(1) 200A, 2P	TB
78205162080	U225 MTBP	200	5	3Ø/3W	OH/UG	240*	200K	(1) 200A, 3P	TB
78205163050	U225 MTBP MS15	200	5	3Ø/3W	OH/UG	480*	200K	(1) 200A, 3P	TB
78205162100	U227 MTBP	200	7	3Ø/4W	OH/UG	120/240 & 120/208	200K	(1) 200A, 3P	TB
78205163060	U227 MTBP MS15	200	7	3Ø/4W	OH/UG	480/277	200K	(1) 200A, 3P	TB

\* For a 208/120V, 1Ø/3W system, order a 4-jaw unit and a 5th jaw kit

Part/UPC Number	Catalog Number	Line	Connections Load	Neutral	Height	Overall Dimensions			Top Provision	Knockout Layout
						Width	Depth			
78205161000	224 MTBP	#6 - 250 MCM	MCB	#6 - 250 MCM	48"	14"	6"	AW Hub	Fig. 1	
78205163000	224 MTBP MS15	#6 - 250 MCM	MCB	#6 - 250 MCM	48"	14"	6"	AW Hub	Fig. 1	
78205161080	225 MTBP	#6 - 250 MCM	MCB	#6 - 250 MCM	48"	14"	6"	AW Hub	Fig. 1	
78205107971	225 MTBP MS15	#6 - 250 MCM	MCB	#6 - 250 MCM	48"	14"	6"	AW Hub	Fig. 1	
78205161100	227 MTBP	#6 - 250 MCM	MCB	#6 - 250 MCM	48"	14"	6"	AW Hub	Fig. 1	
78205163020	227 MTBP MS15	#6 - 250 MCM	MCB	#6 - 250 MCM	48"	14"	6"	AW Hub	Fig. 1	
78205162000	U224 MTBP	#6 - 250 MCM	Main Fuse	#6 - 250 MCM	30"	22"	6"	AW Hub	Fig. 2	
78205163040	U224 MTBP MS15	#6 - 250 MCM	Main Fuse	#6 - 250 MCM	30"	22"	6"	AW Hub	Fig. 2	
78205162080	U225 MTBP	#6 - 250 MCM	Main Fuse	#6 - 250 MCM	30"	22"	6"	AW Hub	Fig. 2	
78205163050	U225 MTBP MS15	#6 - 250 MCM	Main Fuse	#6 - 250 MCM	30"	22"	6"	AW Hub	Fig. 2	
78205162100	U227 MTBP	#6 - 250 MCM	Main Fuse	#6 - 250 MCM	30"	22"	6"	AW Hub	Fig. 2	
78205163060	U227 MTBP MS15	#6 - 250 MCM	Main Fuse	#6 - 250 MCM	30"	22"	6"	AW Hub	Fig. 2	

MCB - Main Circuit Breaker

# Meter Main - With Safety Socket Bypass

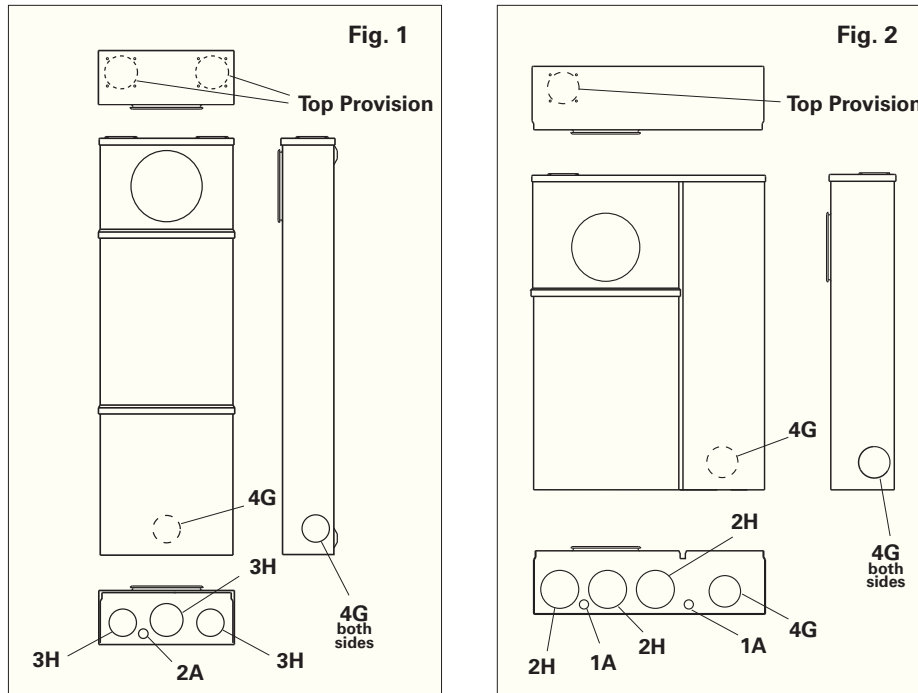
200 Amp - Fusible Pullout

Style #	Suffixes
(U) 224 MTBP	<b>P</b> - Pullout Fuse
(U) 225 MTBP	<b>MS15</b> - 480V Breaker
(U) 227 MTBP	<b>MS43</b> - No Breaker Included
	<b>SS</b> - Stainless Steel

## Knockouts - Conduit Sizes

1A = 1/2"  
 2A = 1/2" - 1/4"  
 4G = 2 1/2" - 2" - 1 1/2" - 1 1/4"  
 2H = 3" - 2 1/2"  
 3H = 3" - 2 1/2" - 2"  
 Top Provision = See Chart

## Knockout Layouts



Single Meter Sockets  
 With Safety Socket Bypass

Data subject to change without notice. Consult local utility for area acceptance. All dimensions are in inches.

# Meter Main Loadcenter - With Safety Socket Bypass

## 200 Amp



U224 MTBL (closed)



U224 MTBL (open)

### Application

- Combination meter/main/loadcenter with safety socket (test block) bypass
- Factory installed breakers / fusible pullout ("T" fuses included)
- Receive ANSI C12.10 watthour meters
- Surface mount



### Construction

- Ring type
- NEMA Type 3R
- ANSI 61 gray E-coat finish
- Aluminum snap ring included

### Standards

- UL 67 Listed
- ANSI C12.7
- EUSERC 305A

Single Meter Sockets  
With Safety Socket Bypass

Part/UPC Number	Catalog Number	Amp Rating	Jaws	Service Type	Access	Main Breaker				
						Voltage	AIC	Main	Loadcenter	Bypass
78205170138	U224 MTBL	200	4	1Ø/3W	OH/UG	120/240	10K	(1) 200A, 2P	20/40	TB
78205170140	U224 MTBPL	200	4	1Ø/3W	OH/UG	120/240	100K	(1) 200A, 2P	20/40	TB
78205170142	U225 MTBL	200	5	3Ø/3W	OH/UG	240*	10K	(1) 200A, 3P	24/42	TB
78205170144	U225 MTBPL	200	5	3Ø/3W	OH/UG	240*	100K	(1) 200A, 3P	24/42	TB
78205170146	U227 MTBL	200	7	3Ø/4W	OH/UG	120/240 & 120/208	10K	(1) 200A, 3P	24/42	TB
78205170148	U227 MTBPL	200	7	3Ø/4W	OH/UG	120/240 & 120/208	100K	(1) 200A, 3P	24/42	TB

\* For a 208/120V, 1Ø/3W system, order a 4-jaw unit and a 5th jaw kit

Part/UPC Number	Catalog Number	Connections			Overall Dimensions			Top Provision	Knockout Layout
		Line	Load	Neutral	Height	Width	Depth		
78205170138	U224 MTBL	#6 - 250 MCM	MCB	#6 - 250 MCM	30"	27"	6"	AW Hub	Fig. 1
78205170140	U224 MTBPL	#6 - 250 MCM	Main Fuse	#6 - 250 MCM	30"	27"	6"	AW Hub	Fig. 1
78205170142	U225 MTBL	#6 - 250 MCM	MCB	#6 - 250 MCM	32"	27"	6"	AW Hub	Fig. 1
78205170144	U225 MTBPL	#6 - 250 MCM	Main Fuse	#6 - 250 MCM	32"	27"	6"	AW Hub	Fig. 1
78205170146	U227 MTBL	#6 - 250 MCM	MCB	#6 - 250 MCM	32"	27"	6"	AW Hub	Fig. 1
78205170148	U227 MTBPL	#6 - 250 MCM	Main Fuse	#6 - 250 MCM	32"	27"	6"	AW Hub	Fig. 1

MCB - Main Circuit Breaker

# Meter Main Loadcenter - With Safety Socket Bypass

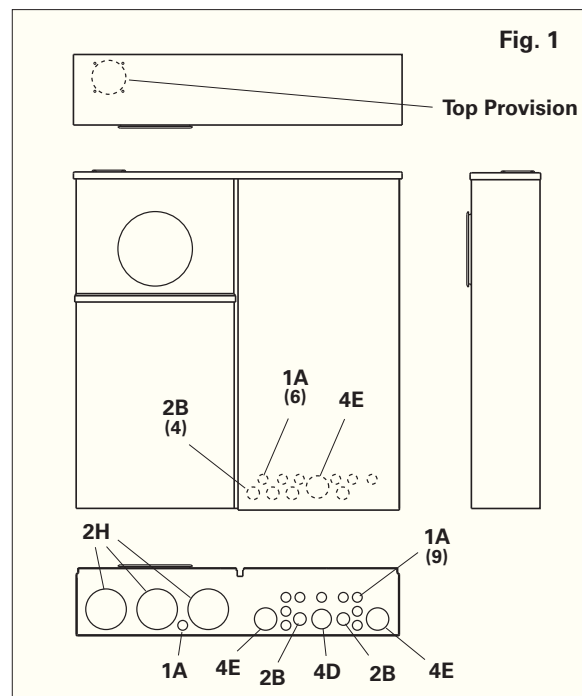
200 Amp

Style #	Suffixes
(U) 224 MTBL	<b>P</b> - Pullout Fuse
(U) 224 MTBPL	<b>MS43</b> - No Breaker Included
(U) 225 MTBL	<b>SS</b> - Stainless Steel
(U) 225 MTBPL	
(U) 227 MTBL	
(U) 227 MTBPL	

## Knockouts - Conduit Sizes

1A = 1/2"  
 2B = 3/4" - 1/2"  
 4D = 1 1/4" - 1" - 3/4" - 1/2"  
 4E = 1 1/2" - 1 1/4" - 1" - 3/4"  
 2H = 3" - 2 1/2"  
 Top Provision = See Chart

## Knockout Layouts



Single Meter Sockets  
 With Safety Socket Bypass

Data subject to change without notice. Consult local utility for area acceptance. All dimensions are in inches.



# Test Block Bypass - Metering Breaker Data

## Main Breaker Data

Catalog Number	B-Line Breaker #	ITE Breaker #	Ampacity	Voltage	# of Poles	AIC
U214MTB	25458P	Q2100	100A	240	2P	10K
U215MTB	25460P	Q3100	100A	240	3P	10K
U217MTB	25460P	Q3100	100A	240	3P	10K
U214MTBHMS45	25464P	Q2100H	100A	240	2P	22K
U215MTBHMS45	25466P	Q3100H	100A	240	3P	22K
U217MTBHMS45	25466P	Q3100H	100A	240	3P	22K
U214MTBH	25470P	Q2100HH	100A	240	2P	42K
U215MTBH	25472P	Q3100HH	100A	240	3P	42K
U217MTBH	25472P	Q3100HH	100A	240	3P	42K
U214MTBMS15	25534N	ED42B100	100A	480	2P	10K
U215MTBMS15	25536N	ED43B100	100A	480	3P	10K
U217MTBMS15	25536N	ED43B100	100A	480	3P	10K
U214MTBHMS15	25544N	HED42B100	100A	480	2P	42K
U215MTBHMS15	25546N	HED43B100	100A	480	3P	42K
U217MTBHMS15	25546N	HED43B100	100A	480	3P	42K
U214MTBL	25458P	Q2100	100A	240	2P	10K
U215MTBL	25460P	Q3100	100A	240	3P	10K
U217MTBL	25460P	Q3100	100A	240	3P	10K
U224MTB	25508K	QJ22B200	200A	240	2P	10K
U225MTB	25510K	QJ23B200	200A	240	3P	10K
U227MTB	25510K	QJ23B200	200A	240	3P	10K
U224MTBHMS45	25512K	QJH22B200H	200A	240	2P	22K
U225MTBHMS45	25514K	QJH23B200H	200A	240	3P	22K
U227MTBHMS45	25514K	QJH23B200H	200A	240	3P	22K
U224MTBH	25516K	QJ22B200H	200A	240	2P	42K
U225MTBH	25518K	QJ23B200H	200A	240	3P	42K
U227MTBH	25518K	QJ23B200H	200A	240	3P	42K
U224MTBHMS15	25552J	FXD62B200	200A	480	2P	22K
U225MTBHMS15	25554J	FXD63B200	200A	480	3P	22K
U227MTBHMS15	25554J	FXD63B200	200A	480	3P	22K

## Main Pullout Data

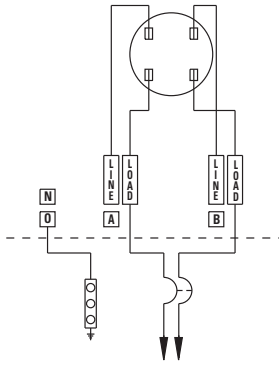
Catalog Number	B-Line Breaker #	Boltswitch Pullout #	Ampacity	Voltage	# of Poles	AIC
U214MTBP	20404A	PT323-2P	100A	240	2P	200K
U215MTBP	20404B	PT323	100A	240	3P	200K
U217MTBP	20404B	PT323	100A	240	3P	200K
U214MTBPMS15	20404E	PT363-2P	100A	480	2P	200K
U215MTBPMS15	20404F	PT363	100A	480	3P	200K
U217MTBPMS15	20404F	PT363	100A	480	3P	200K
U224MTBP	20404C	PT324-2P	200A	240	2P	200K
U225MTBP	20404D	PT324	200A	240	3P	200K
U227MTBP	20404D	PT324	200A	240	3P	200K
U224MTBPMS15	20404G	PT364-2P	200A	480	2P	200K
U225MTBPMS15	20404H	PT364	200A	480	3P	200K
U227MTBPMS15	20404H	PT364	200A	480	3P	200K

## Main Pullout Data

Catalog Number	B-Line Breaker #	ITE Pullout #	Ampacity	Voltage	# of Poles	AIC
U214MTBPL	25050A	TFP223	100A	240	2P	100K
U215MTBPL	25051A	TFP323	100A	240	3P	100K
U217MTBPL	25051A	TFP323	100A	240	3P	100K
U224MTBPL	25052A	TFP224	200A	240	2P	100K
U225MTBPL	25053A	TFP324	200A	240	3P	100K
U227MTBPL	25053A	TFP324	200A	240	3P	100K

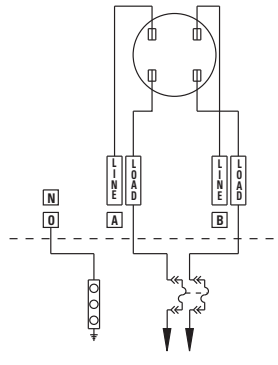
Data subject to change without notice. Consult local utility for area acceptance. All dimensions are in inches.

# Test Block Bypass - Wiring Diagrams



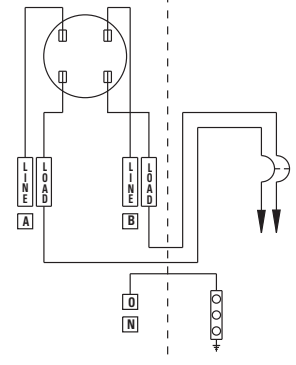
**Catalog #**

- 214MTB
- 214MTBHMS45
- 214MTBH
- 214MTBMS15
- 214MTBHMS15
- 224MTB
- 224MTBHMS45
- 224MTBH
- 224MTBMS15



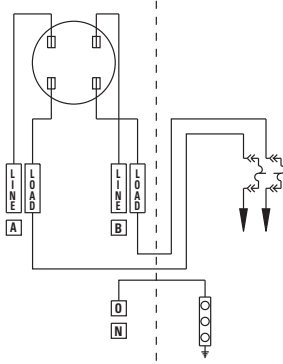
**Catalog #**

- 214MTBP
- 214MTBPMS15
- 224MTBP
- 224MTBPMS15



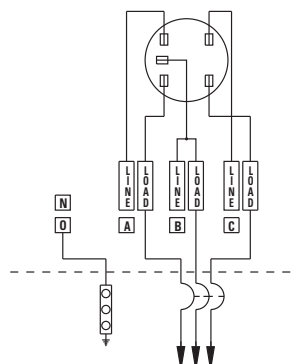
**Catalog #**

- U214MTB
- U214MTBMS15
- U214MTBHMS15
- U214MTBH
- U214MTBHMS45
- U224MTB
- U224MTBH
- U224MTBHMS45



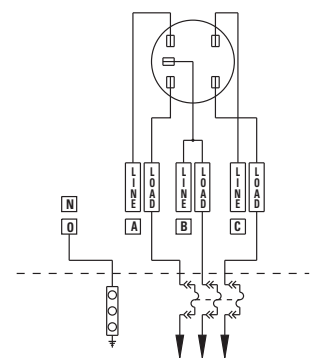
**Catalog #**

- U214MTBP
- U214MTBPMS15
- U224MTBP
- U224MTBPMS15



**Catalog #**

- 215MTB
- 215MTBMS15
- 215MTBHMS15
- 215MTBH
- 215MTBHMS45
- 225MTB
- 225MTBH
- 225MTBHMS45



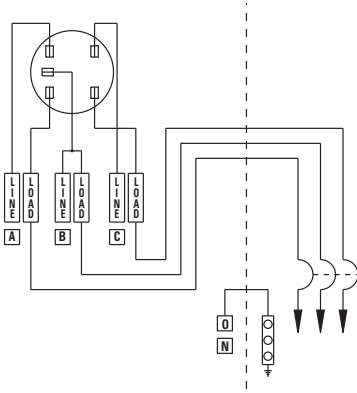
**Catalog #**

- 215MTBP
- 215MTBPMS15
- 225MTBP
- 225MTBPMS15

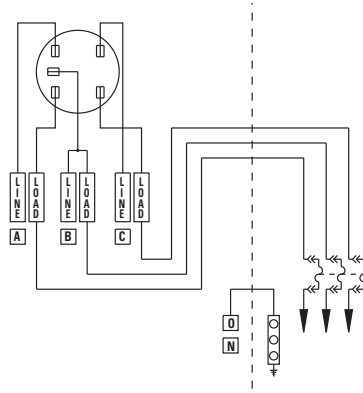
Single Meter Sockets  
With Safety Socket Bypass

Data subject to change without notice. Consult local utility for area acceptance. All dimensions are in inches.

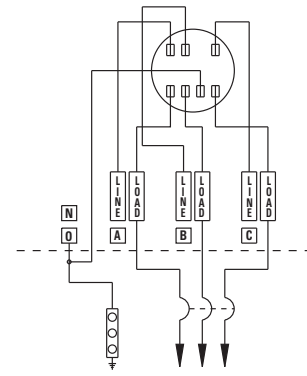
# Test Block Bypass - Wiring Diagrams



- Catalog #**
- U215MTB
  - U215MTBMS15
  - U215MTBHMS15
  - U215MTBH
  - U215MTBHMS45
  - U225MTB
  - U225MTBH
  - U225MTBHMS45
  - U225MTBHMS15

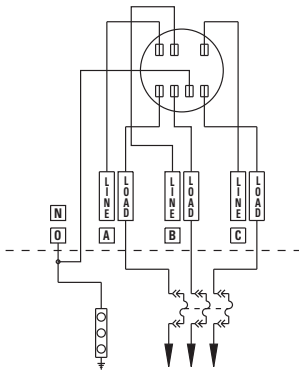


- Catalog #**
- U215MTBP
  - U214MTBPMS15
  - U225MTBP
  - U225MTBPMS15

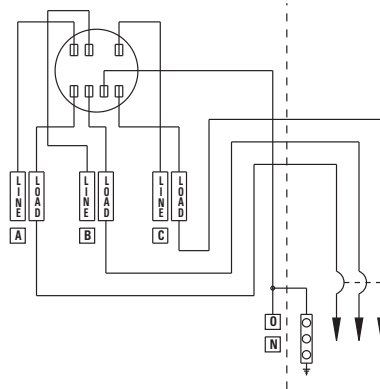


- Catalog #**
- U217MTB
  - U217MTBMS15
  - U217MTBHMS15
  - U217MTBH
  - U217MTBHMS45
  - U227MTB
  - U227MTBH
  - U227MTBHMS45
  - U227MTBHMS15

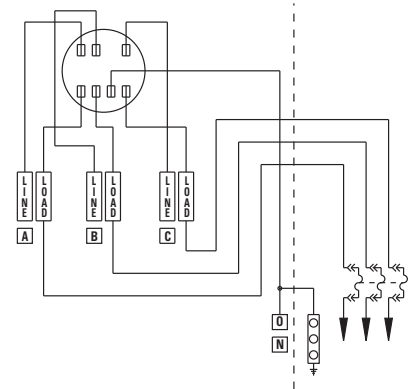
Single Meter Sockets  
With Safety Socket Bypass



- Catalog #**
- 217MTBP
  - 217MTBPMS15
  - 227MTBP
  - 227MTBPMS15

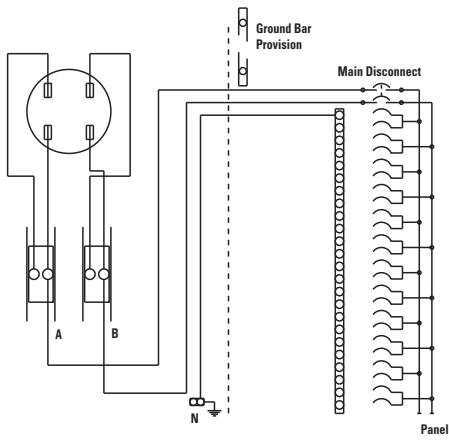


- Catalog #**
- U217MTB
  - U217MTBMS15
  - U217MTBHMS15
  - U217MTBH
  - U217MTBHMS45
  - U227MTB
  - U227MTBMS15
  - U227MTBH
  - U227MTBHMS45

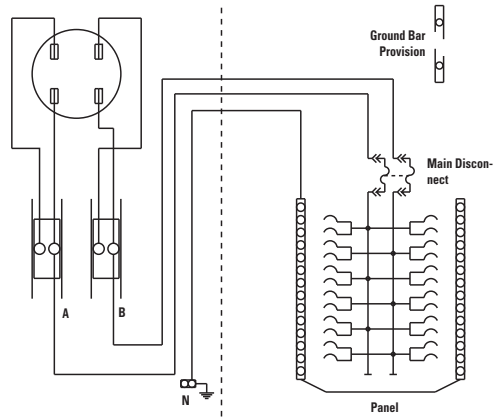


- Catalog #**
- U217MTBP
  - U217MTBPMS15
  - U227MTBP
  - U227MTBPMS15

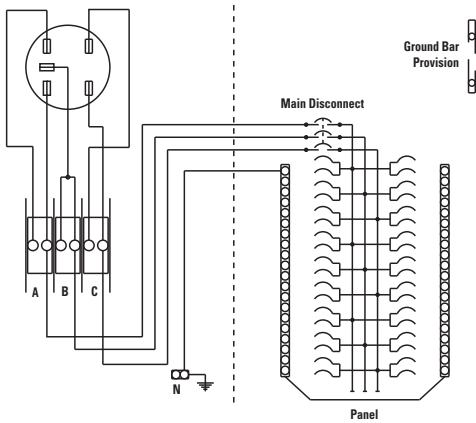
# Test Block Bypass - Wiring Diagrams



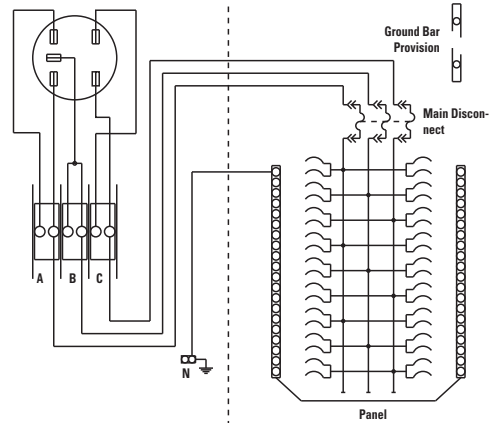
**Catalog #**  
**U214MTBL**



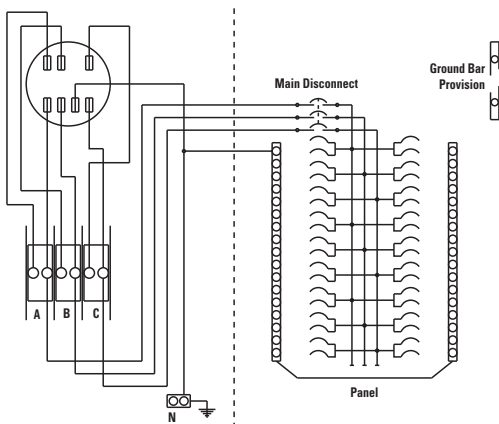
**Catalog #**  
**U214MTBPL**



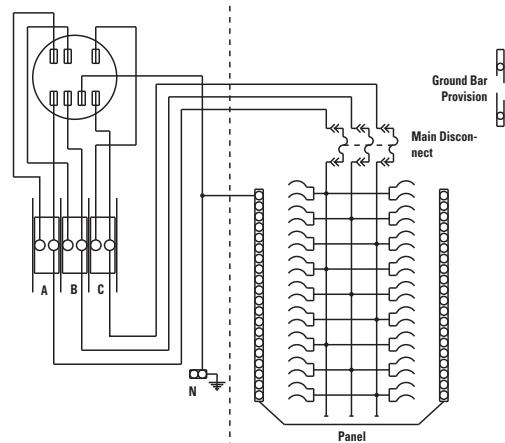
**Catalog #**  
**U215MTBL**



**Catalog #**  
**U215MTBPL**



**Catalog #**  
**U217MTBL**

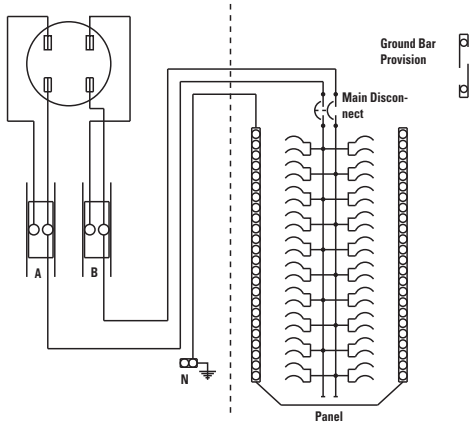


**Catalog #**  
**U217MTBPL**

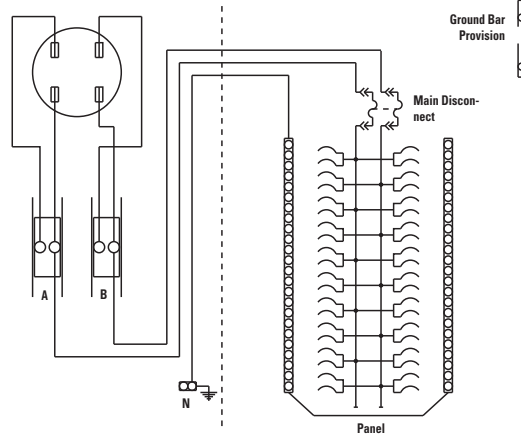
Single Meter Sockets  
With Safety Socket Bypass

Data subject to change without notice. Consult local utility for area acceptance. All dimensions are in inches.

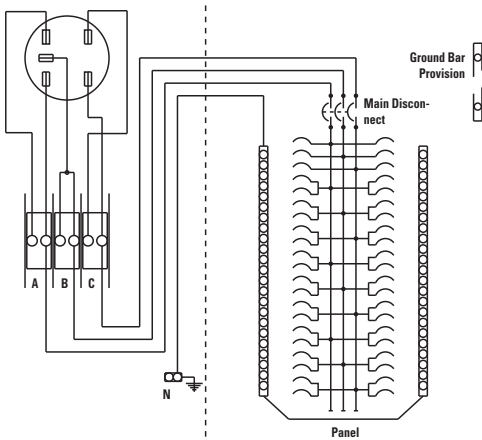
# Test Block Bypass - Wiring Diagrams



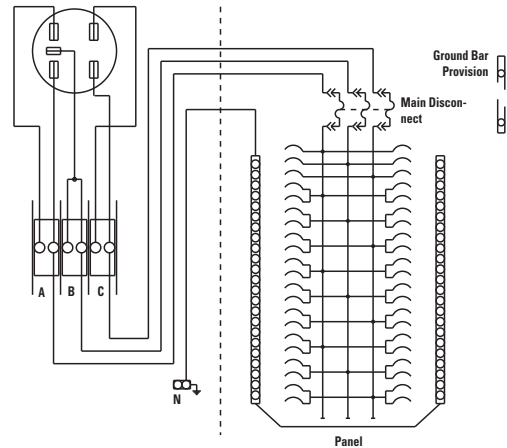
**Catalog #**  
**U224MTBL**



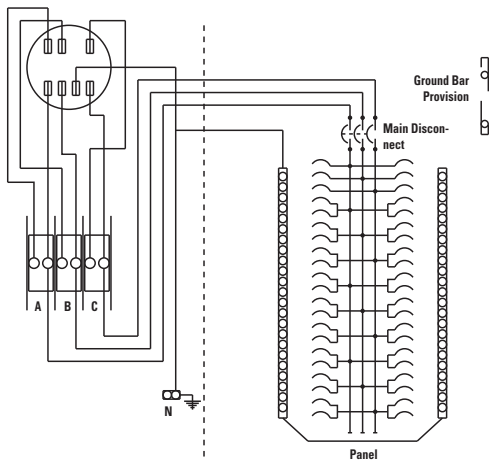
**Catalog #**  
**U224MTBPL**



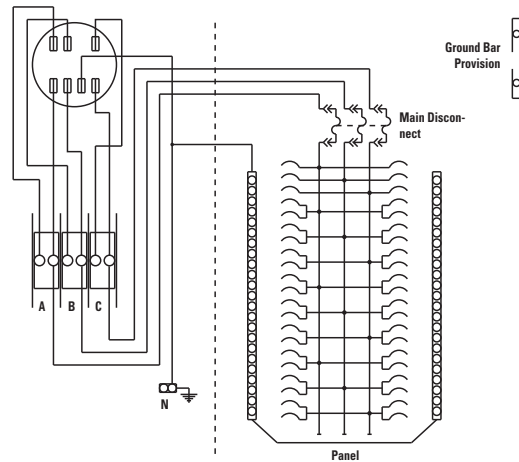
**Catalog #**  
**U225MTBL**



**Catalog #**  
**U225MTBPL**



**Catalog #**  
**U227MTBL**

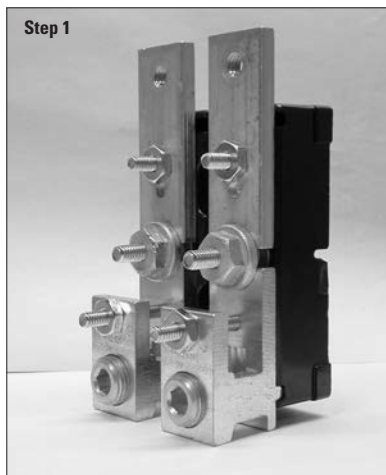


**Catalog #**  
**U227MTBPL**

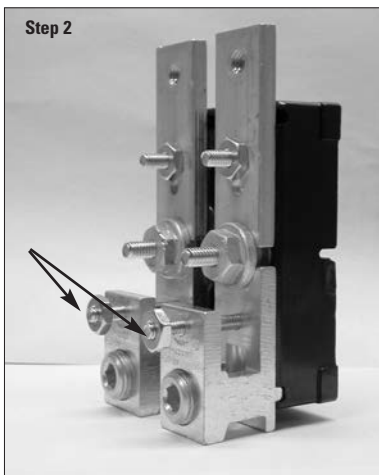
Single Meter Sockets  
With Safety Socket Bypass

# Test Block Bypass - Safety Socket Bypass Instructions

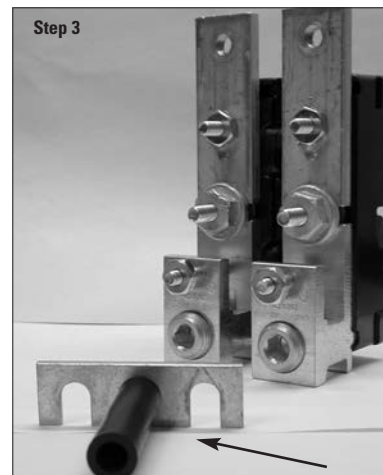
THIS PROCEDURE SHOULD BE PERFORMED ONLY BY QUALIFIED UTILITY PERSONNEL



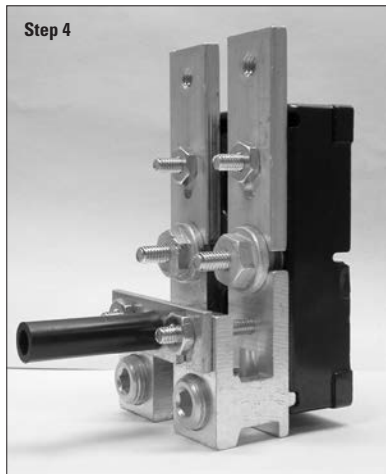
Test Block in normal operation. All screw terminals are in the closed position and tightened to the required torque specification.



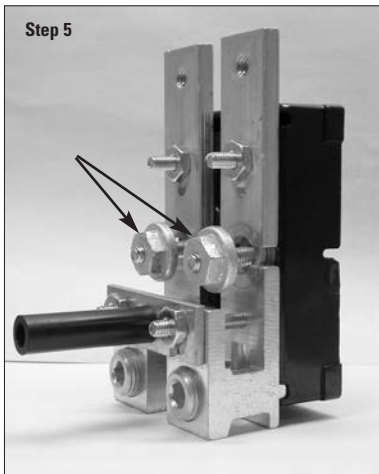
Loosen Terminal Bypass Nuts.



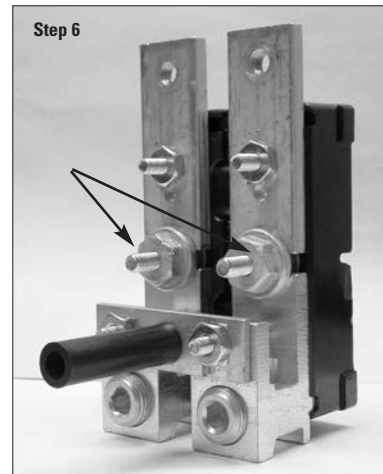
Picture shows the "Bypass Link" used to bypass the meter. (Normally supplied by utility)



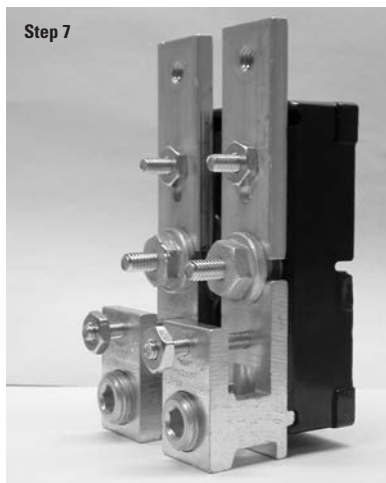
Install Bypass Link as shown and tighten the Terminal Bypass Nuts to required torque specifications.



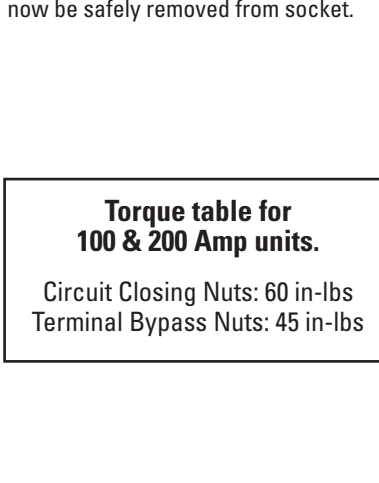
With Bypass Link securely in place, loosen Circuit Closing Nuts. All current and voltage potential has now been isolated from the socket. Meter may now be safely removed from socket.



After meter has been replaced, securely tighten the Circuit Closing Nut to required torque specification.



Loosen Terminal Bypass Nuts and remove Bypass Link. Meter is now energized.



Tighten Terminal Bypass Nuts.

**Torque table for  
100 & 200 Amp units.**

Circuit Closing Nuts: 60 in-lbs  
Terminal Bypass Nuts: 45 in-lbs

Single Meter Sockets  
With Safety Socket Bypass

Data subject to change without notice. Consult local utility for area acceptance.