

Self Contained, Meter Mains - Non Lever Bypass

125, 150, & 200 Amp - 240 VAC



ENC10L24A3GRST
shown open & closed



Application

- Single meter position
- Designed for watt hour meters that meet ANSI C12.10
- Overhead or underground feed
- Surface mount

Construction

- Ringless cover
- Type 3R construction
- 16 Ga. galvanized/galvanneal steel
- 5th jaw provision at nine (9) o'clock

Standards

- UL 67 listed
- Complies with ANSI C12.7

Finish

- ANSI 61 gray painted finish

Accessories

- Replacement sockets
- AW hub assemblies
- Cap setscrew assemblies
- Horn bypass cap assemblies
- 5th jaw terminal kits
- Lug kits
- Closing plates
- Touch-up paint

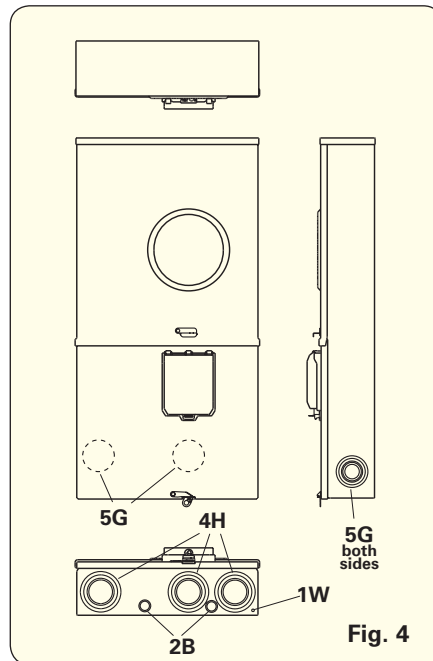
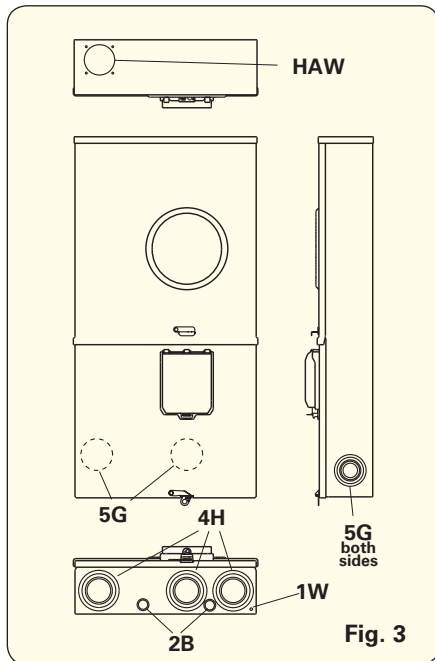
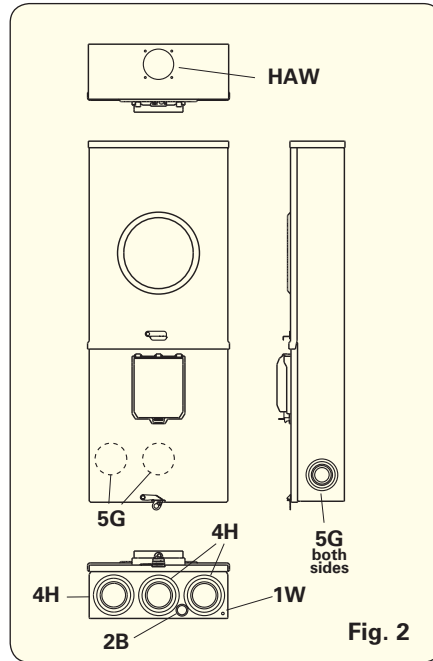
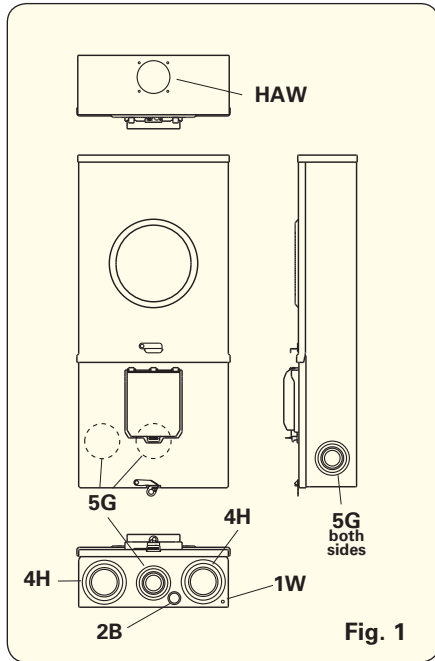
Part/UPC Number	Catalog Number	Service	Top Provision	Service Type	No. of Terminals	Bypass	Conductors Line/Load	Ground Prov. (Qty)	Overall Dimensions			Knockout Layout
									Height	Width	Depth	
125 Amp Continuous, 2 Pole Plug-in Circuit Breaker Provision (AIC Rated per Table RL2 on page 41)												
78205150949	ENLB10L24A3GRST	OH/UG	AWCAP	1Ø/3W	4	No Bypass	#14 AWG-2/0 AWG #10 AWG-2/0 AWG	(2) #10-1/0 AWG	29 ¹ / ₈ "	13 ¹ / ₄ "	6 ⁵ / ₈ "	Fig. 1
125 Amp Continuous, 2 Pole 100 Amp Plug-in Circuit Breaker (AIC Rated per Table RL2 on page 41)												
78205138508	ENCB10L24A3GRST	OH/UG	AWCAP	1Ø/3W	4	No Bypass	#14 AWG-2/0 AWG #10 AWG-2/0 AWG	(2) #10-1/0 AWG	29 ¹ / ₈ "	13 ¹ / ₄ "	6 ⁵ / ₈ "	Fig. 1
125 Amp Continuous, 2 Pole 100 Amp Plug-in Circuit Breaker & (2) 1 Pole Plug-in Circuit Breaker Provisions (AIC Rated per Table RL2 on page 41)												
78205159267	EN4C10L24A3GRST	OH/UG	AWCAP	1Ø/3W	4	No Bypass	#14 AWG-2/0 AWG #10 AWG-2/0 AWG	(2) #10-1/0 AWG	29 ¹ / ₈ "	13 ¹ / ₄ "	6 ⁵ / ₈ "	Fig. 1
200 Amp Continuous, 2 Pole 150 Amp Bolt-on Circuit Breaker (AIC Rated per Table RL3 on page 41)												
78205138509	ENCB15L24A3GRST	OH/UG	AWCAP	1Ø/3W	4	No Bypass	#6 AWG-350 KCMIL #4 AWG-4/0 AWG	(2) #10-1/0 AWG	34 ¹ / ₈ "	13 ¹ / ₄ "	6 ⁵ / ₈ "	Fig. 2
200 Amp Continuous, 2 Pole 200 Amp Bolt-on Circuit Breaker (AIC Rated per Table RL3 on page 41)												
78205138510	ENCB20L24A3GRST	OH/UG	AWCAP	1Ø/3W	4	No Bypass	#6 AWG-350 KCMIL 2/0 AWG-300KCMIL	(2) #10-1/0 AWG	34 ¹ / ₈ "	13 ¹ / ₄ "	6 ⁵ / ₈ "	Fig. 2
78205158371	ENCB20L24A4GRST	OH/UG Bussed Offset	AWCAP	1Ø/3W	4	No Bypass	#6 AWG-350 KCMIL 2/0 AWG-300KCMIL	(2) #10-1/0 AWG	34 ¹ / ₈ "	16 ¹ / ₄ "	6 ⁵ / ₈ "	Fig. 3
78205158372	ENCB20C24A4GRST	UG Bussed Offset	None	1Ø/3W	4	No Bypass	³ / ₈ "-16 stud 2/0 AWG-300KCMIL	(2) #10-1/0 AWG	34 ¹ / ₈ "	16 ¹ / ₄ "	6 ⁵ / ₈ "	Fig. 4

Data subject to change without notice. Consult local utility for area acceptance. All dimensions are in inches.

Self Contained, Meter Mains - Non Lever Bypass

125, 150, & 200 Amp - 240 VAC

Knockout Layouts



Knockouts - Conduit Sizes

- 1W = 1/4" dia.
- 2B = 3/4" - 1/2"
- 4H = 3" - 2 1/2" - 2" - 1 1/2"
- 5G = 2 1/2" - 2" - 1 1/2" - 1 1/4" - 1"
- HAW = AW Hub Opening (Small)

Data subject to change without notice. Consult local utility for area acceptance. All dimensions are in inches.