

Self Contained, Meter Mains - Non Jaw Clamping Lever Bypass

100 Amp - 240 VAC

Meter Mains



ECCB10L27A3GR1N
shown open & closed



Application

- Single meter position
- Designed for watt hour meters that meet ANSI C12.10
- Overhead or underground feed
- Surface mount

Construction

- Ringless cover
- Type 3R construction
- 16 Ga. galvaneal/galvanized steel

Standards

- UL 67 listed
- Complies with ANSI C12.7

Finish

- ANSI 61 gray painted finish

Accessories

- Replacement sockets
- AW hub assemblies
- Cap setscrew assemblies
- 5th jaw terminal kits
- Lug kits
- Closing plates
- Touch-up paint

Part/UPC Number	Catalog Number	Service	Top Provision	Service Type	No. of Terminals	Bypass	Conductors Line/Load	Ground Prov. (Qty)	Overall Dimensions			Knockout Layout
									Height	Width	Depth	
125 Amp Continuous, 2 & 3 Pole 100 Amp Plug-in Circuit Breaker (AIC Rated per Table RL2 on page 41)												
78205138497	ECCB10L24A3GR1N ¹	OH/UG	AWCAP	1Ø/3W	4 †	NJCLB *	#14 AWG-2/0 AWG #14 AWG-1/0 AWG	(2) #10-1/0 AWG	29 1/8"	13 3/4"	6 5/8"	Fig. 1
78205138498	ECCB10L27A3GRST ²	OH/UG	AWCAP	3Ø/4W	7	NJCLB *	#14 AWG-2/0 AWG #14 AWG-1/0 AWG	(1) #10-1/0 AWG	29 1/8"	13 3/4"	6 5/8"	Fig. 2
78205162268	ECCB10L27A3GR1N ²	OH/UG	AWCAP	3Ø/4W	7	NJCLB *	#14 AWG-2/0 AWG #14 AWG-1/0 AWG	(1) #10-1/0 AWG	29 1/8"	13 3/4"	6 5/8"	Fig. 2

* Bypass lever operates bypass only, non-jaw clamping

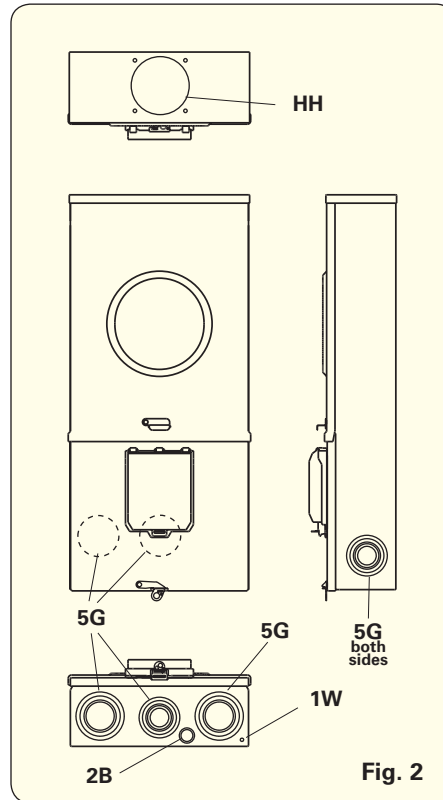
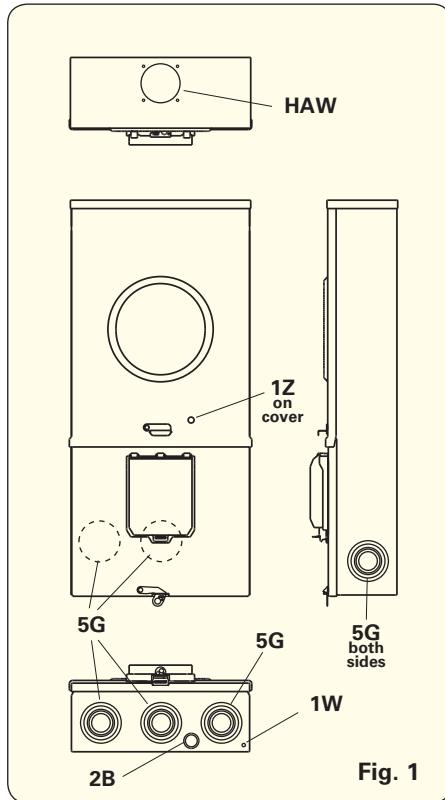
† 5th jaw provisions at six (6) o'clock and nine (9) o'clock

¹ 2 Pole 100 Amp Plug-in Circuit Breaker

² 3 Pole 100 Amp Plug-in Circuit Breaker

Data subject to change without notice. Consult local utility for area acceptance. All dimensions are in inches.

Knockout Layouts



Knockouts - Conduit Sizes

- 1W = 1/4" dia.
- 1Z = 7/16" dia.
- 2B = 3/4" - 1/2"
- 5G = 2 1/2" - 2" - 1 1/2" - 1 1/4" - 1"
- HAW = AW Hub Opening (Small)
- HH = H Hub Opening (Large)

Self Contained, Meter Mains - Lever Bypass

200 Amp & 320 Amp - 240 VAC



ELCB20L24A5GR1N
shown open & closed



ELCB32C24A4GRST
shown open & closed

Application

- Single meter position
- Designed for watt hour meters that meet ANSI C12.10
- Overhead or underground feed
- Surface mount

Construction

- Ringless cover
- Type 3R construction
- 16 Ga. galvaneal/galvanized steel

Standards

- UL 67 listed
- Complies with ANSI C12.7

Finish

- ANSI 61 gray painted finish

Accessories

- Replacement sockets
- AW & H-Base hub assemblies
- Cap setscrew assemblies
- 5th jaw terminal kits
- Lug/stud landing pads
- Lug kits
- Closing plates
- Touch-up paint

Part/UPC Number	Catalog Number	Service	Top Provision	Service Type	No. of Terminals	Bypass	Conductors Line/Load	Ground Prov. (Qty)	Overall Dimensions			Knockout Layout
									Height	Width	Depth	
200 Amp Continuous, 2 Pole 200 Amp Bolt-On Circuit Breaker (AIC Rated per Table RL3 on page 41)												
78205138500	ELCB20L24A5GR1N	OH/UG Non-Bussed Offset	AW CAP H7	1Ø/3W	4 †	Lever	#6 AWG-350 KCMIL 2/0 AWG-300 KCMIL	(3) #10-1/0 AWG	34 ¹ / ₈ "	16 ¹ / ₄ "	6 ⁵ / ₈ "	Fig. 1
200 Amp Continuous, 2 Pole 200 Amp Bolt-On Circuit Breaker & (4) 1 Pole or (2) 2 Pole Circuit Breaker Provisions (AIC Rated per Table RL7 on page 42)												
78205158421	EL6C20L24A6GRST	OH/UG Bussed Offset	H7	1Ø/3W	4 †	Lever	#6 AWG-350 KCMIL 2/0 AWG-300 KCMIL	(3) #10-1/0 AWG	37 ¹ / ₄ "	16 ¹ / ₄ "	5"	Fig. 2
200 Amp Continuous, 3 Pole 200 Amp Bolt-On Circuit Breaker (AIC Rated per Table RL3 on page 41)												
78205138499	ELCB20L27A5GR1N	OH/UG Non-Bussed Offset	AW CAP H7	3Ø/4W	7	Lever	#6 AWG-350 KCMIL 2/0 AWG-300 KCMIL	(3) #10-1/0 AWG	34 ¹ / ₈ "	16 ¹ / ₄ "	6 ⁵ / ₈ "	Fig. 1
320 Amp Continuous, (2) 2 Pole 200 Amp Bolt-On Circuit Breaker (AIC Rated per Table RL3 on page 41)												
78205138501	ELCB32C24A4GRST	UG Bussed Offset	None	1Ø/3W	4 †	Lever	³ / ₈ "-16 stud 2/0 AWG-300 KCMIL	(3) #10-1/0 AWG	30 ¹ / ₈ "	25 ¹ / ₂ "	7 ⁵ / ₈ "	Fig. 3
78205138502	ELCB32C24A5GR1N	OH/UG Non-Bussed Offset	H7	1Ø/3W	4 †	Lever	³ / ₈ "-16 stud 2/0 AWG-300 KCMIL	(3) #10-1/0 AWG	30 ¹ / ₈ "	25 ¹ / ₂ "	7 ⁵ / ₈ "	Fig. 4

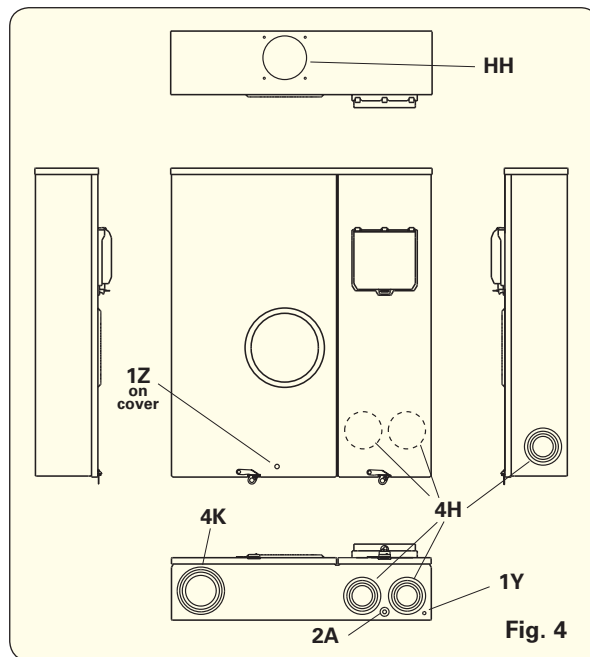
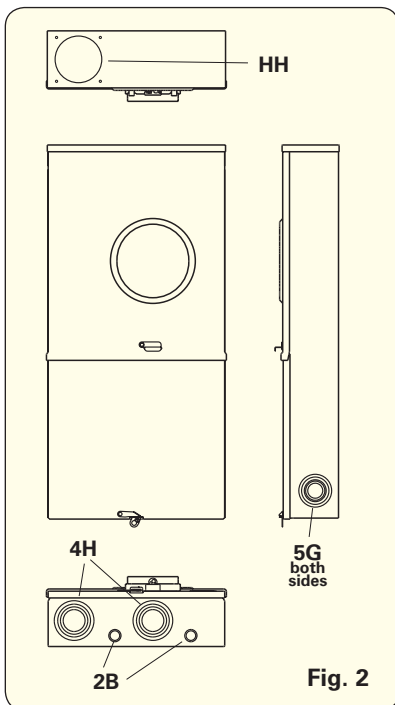
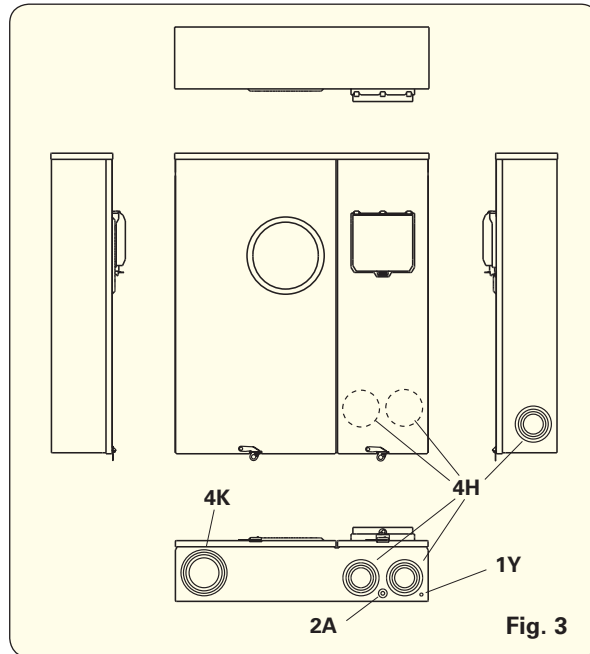
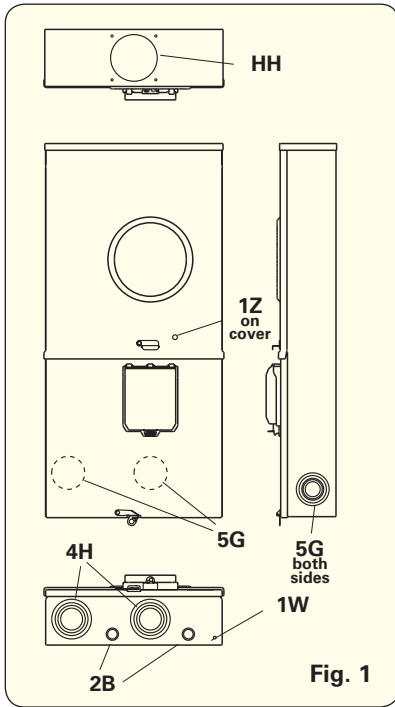
† 5th jaw provisions at six (6) o'clock and nine (9) o'clock

Data subject to change without notice. Consult local utility for area acceptance. All dimensions are in inches.

Self Contained, Meter Mains - Lever Bypass

200 Amp & 320 Amp - 240 VAC

Knockout Layouts



Knockouts - Conduit Sizes

- 1Y = 5/16" dia.
- 1W = 1/4" dia.
- 1Z = 7/16" dia.
- 2A = 3/8" dia. - 1/2"
- 2B = 3/4" - 1/2"
- 4H = 3" - 2 1/2" - 2" - 1 1/2"
- 4K = 4" - 3 1/2" - 3" - 2 1/2"
- 5G = 2 1/2" - 2" - 1 1/2" - 1 1/4" - 1"
- HH = H Hub Opening (Large)

Data subject to change without notice. Consult local utility for area acceptance. All dimensions are in inches.