



ENC20L24A3GR1F
(closed)



ENC20L24A3GR1F
(open)

Application

- Single meter position
- Receive ANSI C12.10 watt-hour meters
- Surface mount

Construction

- Ringless cover
- NEMA Type 3R
- ANSI 61 gray E-coat finish



Standards

- UL 414 Listed
- ANSI C12.7

Accessories

- 5th Jaw Kit - 50365
- AW Hub

Part/UPC Number	Catalog Number	Amp Rating	Jaws	Service Type	Access	Main Breaker		
						Voltage	AIC	Main
79903855171	ENC20L25A3GR1F	125	5	1Ø/3W	OH/UG	120/240	10K	(1) 100A, 2P
79903855172	ENC20L25A3GR1F	200	5	1Ø/3W	OH/UG	120/240	10K	(1) 150A, 2P
79903855173	ENC20L25A3GR1F	200	5	1Ø/3W	OH/UG	120/240	10K	(1) 200A, 2P

Part/UPC Number	Catalog Number	Connections			Overall Dimensions			Top Provision	Knockout Layout
		Line	Load	Neutral	Height	Width	Depth		
79903855171	ENC20L25A3GR1F	#14 - 2/0	#10 - 2/0	#14 - 2/0	29 1/8"	13"	5"	AW Hub, Cap	Fig. 1
79903855172	ENC20L25A3GR1F	#6 - 350MCM	#4 - 4/0	#6 - 350MCM	34 1/8"	13"	5"	AW Hub, Cap	Fig. 2
79903855173	ENC20L25A3GR1F	#6 - 350MCM	2/0 - 300MCM	#6 - 350MCM	34 1/8"	13"	5"	AW Hub, Cap	Fig. 2

Data subject to change without notice. Consult local utility for area acceptance. All dimensions are in inches.

Meter Mains - Without Bypass

125 & 200 Amp

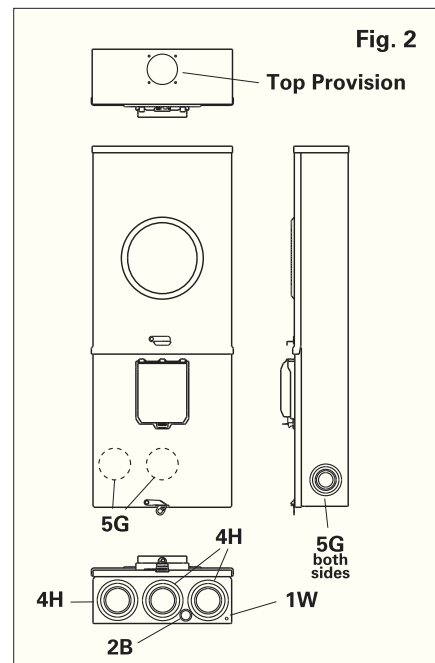
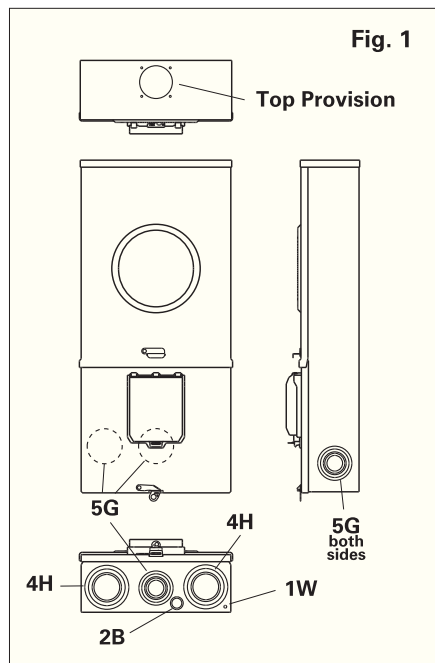
Main Breaker Data

Catalog Number	B-Line Breaker #	Eaton Breaker #	Amps	Voltage	Poles	AIC
ENCB10L25A3GR1F	CBLA047458	BR2100	100	240	2P	10K
ENCB15L25A3GR1F	CBLC019307	CC2150X	150	240	2P	10K
ENCB20L25A3GR1F	CBLC019301	CCV2200X	200	240	2P	10K

Knockouts - Conduit Sizes

1W = 1/4"
 2B = 3/4" - 1/2"
 4H = 3" - 2 1/2" - 2" - 1 1/2"
 5G = 2 1/2" - 2" - 1 1/2" - 1 1/4" - 1"
 Top Provision = See Chart

Knockout Layouts



Data subject to change without notice. Consult local utility for area acceptance. All dimensions are in inches.