



**ECCB10L27A3GR1F**  
(closed)



**ECCB10L27A3GR1F**  
(open)

### Application

- Single meter position
- Receive ANSI C12.10 watt-hour meters
- Surface mount

### Construction

- Ringless cover
- NEMA Type 3R
- ANSI 61 gray E-coat finish



### Standards

- UL 414 Listed
- ANSI C12.7

### Accessories

- 5th Jaw Kit - 50366
- 7th Jaw Kit - 50368
- AW Hub

Part/UPC Number	Catalog Number	Amp Rating	Jaws	Service Type	Bypass	Access	Main Breaker		
							Voltage	AIC	Main
79903855176	<b>ELCB20L25A3GR1F</b>	200	5	1Ø/3W	Lever	OH/UG	120/240	10K	(1) 200A, 2P
79903855177	<b>ELCB20L27A3GR1F</b>	200	7	3Ø/4W	Lever	OH/UG	120/240	10K	(1) 200A, 3P
79903855178	<b>ELCB32C25A5GR1F</b>	320	5	1Ø/3W	Lever	OH/UG	120/240	10K	(2) 200A, 2P

Part/UPC Number	Catalog Number	Connections			Overall Dimensions			Top Provision	Knockout Layout
		Line	Load	Neutral	Height	Width	Depth		
79903855176	<b>ELCB20L25A3GR1F</b>	#6 - 350MCM	2/0 - 300MCM	#6 - 350MCM	34 <sup>1</sup> / <sub>8</sub> "	13"	5"	AW Hub, Cap	Fig. 1
79903855177	<b>ELCB20L27A3GR1F</b>	#6 - 350MCM	2/0 - 300MCM	#6 - 350MCM	34 <sup>1</sup> / <sub>8</sub> "	13"	5"	AW Hub, Cap	Fig. 1
79903855178	<b>ELCB32C25A5GR1F</b>	<sup>3</sup> / <sub>8</sub> " Studs	2/0 - 300MCM	<sup>3</sup> / <sub>8</sub> " Studs / #6 - 350MCM	34 <sup>1</sup> / <sub>8</sub> "	13"	5"	AW Hub, Cap	Fig. 2

Data subject to change without notice. Consult local utility for area acceptance. All dimensions are in inches.

# Meter Mains - With Lever Bypass

125 - 320 Amp

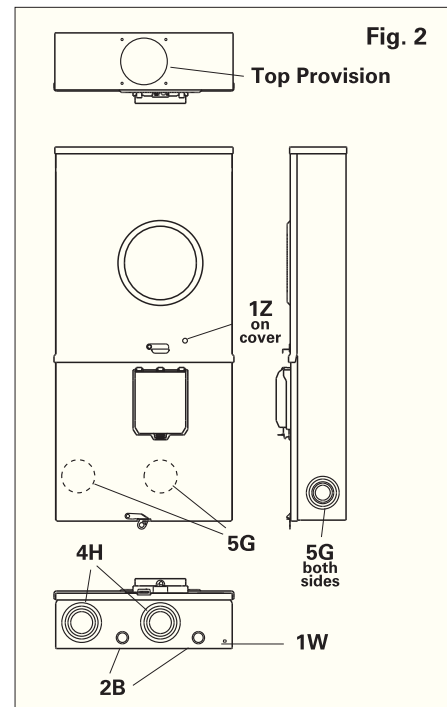
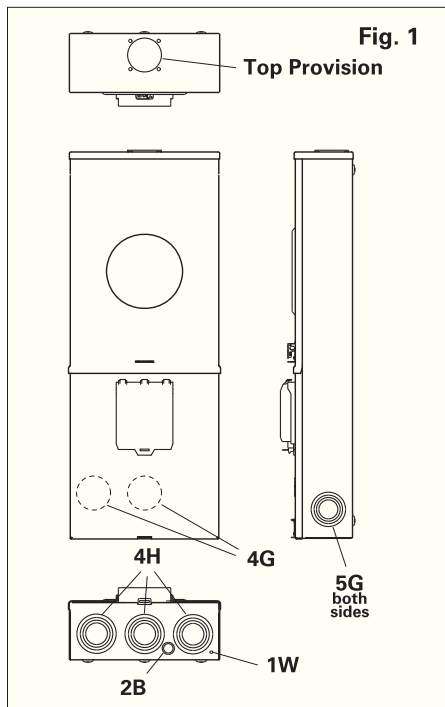
## Main Breaker Data

Catalog Number	B-Line Breaker #	Eaton Breaker #	Amps	Voltage	Poles	AIC
ELCB20L25A3GR1F	CBLC019301	CCV2200X	200	240	2P	10K
ELCB20L27A3GR1F	CBLC019306	CC3200X	200	240	3P	10K
ELCB32C24A5GR1F	CBLA047485	CCV2200	200	240	2P	10K

## Knockouts - Conduit Sizes

1W = 1/4"  
 1Z = 7/16"  
 2B = 3/4" - 1/2"  
 4G = 2 1/2" - 2" - 1 1/2" - 1 1/4"  
 4H = 3" - 2 1/2" - 2" - 1 1/2"  
 5G = 2 1/2" - 2" - 1 1/2" - 1 1/4" - 1"  
 Top Provision = See Chart

## Knockout Layouts



Data subject to change without notice. Consult local utility for area acceptance. All dimensions are in inches.