

Group Meter Sockets - Without Bypass

100 Amp Vertical

Multiple Metering



014 (closed)



014 (open)

Application

- For horizontal ganging of meter sockets - 6 position maximum 225A main buss
- Receive ANSI C12.10 watthour meters
- Overhead or underground feed (see chart)
- Surface mount

Construction

- Ring type
- NEMA Type 3R
- ANSI 61 gray E-coat finish
- Aluminum snap ring included



Standards

- UL 414 Listed
- ANSI C12.7

Accessories

- 5th Jaw Kit - 50365
- AW Hubs & H Hubs

Part/UPC Number	Catalog Number	Number of Positions	Buss Amps	Amp Rating	Jaws	Service Type	Access
78205141370	012	2	225	100	4	1Ø/3W	OH/UG
78205141380	013	3	225	100	4	1Ø/3W	OH/UG
78205141395	014	4	225	100	4	1Ø/3W	OH/UG
78205141480	014 H	4	400	100	3	1Ø/3W	OH/UG
78205141475	015	5	225	100	4	1Ø/3W	OH/UG
78205141490	015 H	5	400	100	4	1Ø/3W	OH/UG
78205143149	016	6	225	100	4	1Ø/3W	OH/UG
78205141500	016 H	6	400	100	4	1Ø/3W	OH/UG

AIC Note:
For short circuit current ratings see page 131.

Part/UPC Number	Catalog Number	Connections			Overall Dimensions			Top Provision	Knockout Layout
		Line	Load	Neutral	Height	Width	Depth		
78205141370	012	#6 - 250 MCM	#14 - 2/0	#6 - 250 MCM	21 ¹ / ₂ "	14"	4 ⁵ / ₈ "	AW Hub	Fig. 1
78205141380	013	#6 - 250 MCM	#14 - 2/0	#6 - 250 MCM	30"	14"	4 ⁵ / ₈ "	AW Hub	Fig. 2
78205141395	014	#6 - 250 MCM	#14 - 2/0	#6 - 250 MCM	21 ¹ / ₂ "	24 ¹ / ₃ "	4 ⁵ / ₈ "	AW Hub	Fig. 3
78205141480	014 H	#6 - 600 MCM	#14 - 2/0	#6 - 600 MCM	21 ¹ / ₂ "	32 ¹ / ₂ "	4 ⁵ / ₈ "	H Hub	Fig. 4
78205141475	015	#6 - 250 MCM	#14 - 2/0	#6 - 250 MCM	21 ¹ / ₂ "	32 ¹ / ₂ "	4 ⁵ / ₈ "	AW Hub	Fig. 5
78205141490	015 H	#6 - 600 MCM	#14 - 2/0	#6 - 600 MCM	21 ¹ / ₂ "	32 ¹ / ₂ "	4 ⁵ / ₈ "	H Hub	Fig. 6
78205143149	016	#6 - 250 MCM	#14 - 2/0	#6 - 250 MCM	30"	24 ¹ / ₃ "	4 ⁵ / ₈ "	AW Hub	Fig. 5
78205141500	016 H	#6 - 600 MCM	#14 - 2/0	#6 - 600 MCM	30"	32 ¹ / ₂ "	6"	H Hub	Fig. 6

Group Meter Sockets - Without Bypass

100 Amp Vertical

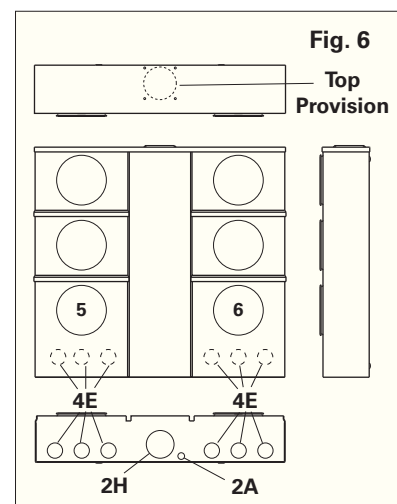
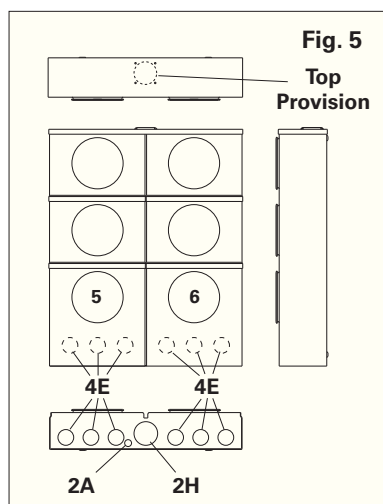
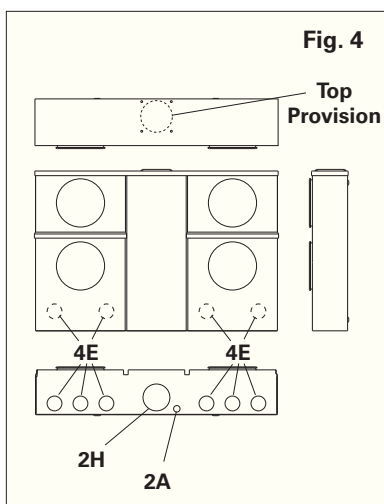
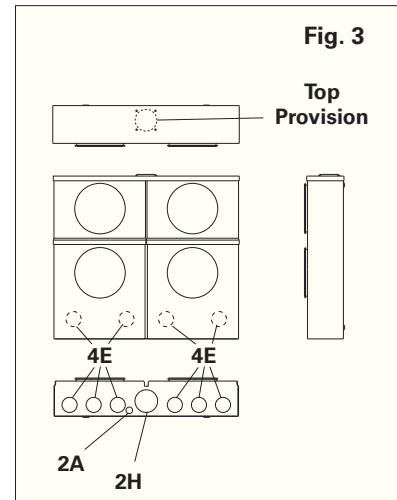
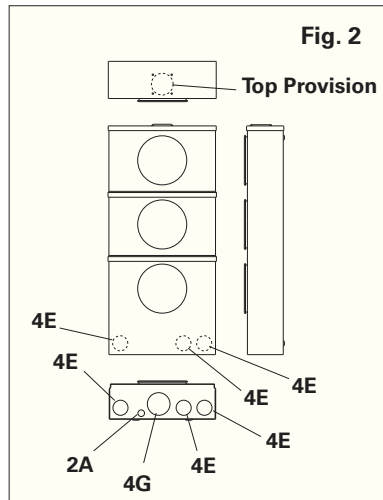
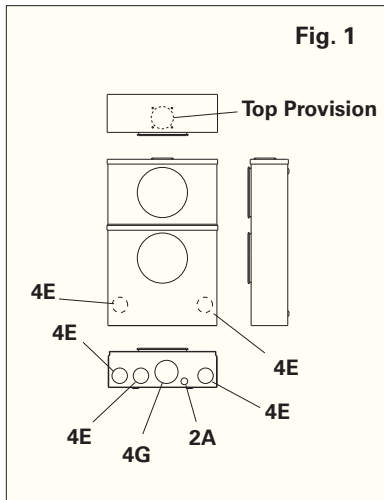
Style #	Suffixes
012	SS - Stainless Steel
013	
014	
015	
016	

Knockouts - Conduit Sizes

2A = 1/2" - 1/4"
 4E = 1 1/2" - 1 1/4" - 1" - 3/4"
 4F = 2" - 1 1/2" - 1 1/4" - 1"
 4G = 2 1/2" - 2" - 1 1/2" - 1 1/4"
 2H = 3" - 2 1/2"
 Top Provision = See Chart

Multiple Metering

Knockout Layouts



Data subject to change without notice. Consult local utility for area acceptance. All dimensions are in inches.

Group Meter Sockets - Without Bypass

100 Amp Horizontal

Multiple Metering



H012 (closed)



H012 (open)

Application

- For horizontal multi-meter installations - 4 position maximum 225A main buss
- Receive ANSI C12.10 watt-hour meters
- Overhead or underground feed (see chart)
- Surface mount

Construction

- Ring type
- NEMA Type 3R
- ANSI 61 gray E-coat finish
- Aluminum snap ring included



Standards

- UL 414 Listed
- ANSI C12.7

Accessories

- 5th Jaw Kit - 50365
- AW Hubs

Part/UPC Number	Catalog Number	Number of Positions	Buss Amps	Amp Rating	Jaws	Service Type	Access
78205141112	H012	2	225	100	4	1Ø/3W	OH/UG
78205141113	H013	3	225	100	7	1Ø/3W	OH/UG
78205141114	H014	4	225	100	4	1Ø/3W	OH/UG

Part/UPC Number	Catalog Number	Connections			Height	Overall Dimensions		Top Provision	Knockout Layout
		Line	Load	Neutral		Width	Depth		
78205141112	H012	#6 - 250 MCM	#14 - 2/0	#6 - 250 MCM	12"	26 ¹ / ₂ "	4 ⁵ / ₈ "	AW Hub	Fig. 1
78205141113	H013	#6 - 250 MCM	#14 - 2/0	#6 - 250 MCM	12"	34 ³ / ₄ "	4 ⁵ / ₈ "	AW Hub	Fig. 2
78205141114	H014	#6 - 250 MCM	#14 - 2/0	#6 - 250 MCM	12"	43"	4 ⁵ / ₈ "	AW Hub	Fig. 3

AIC Note:
For short circuit current ratings see page 131.

Group Meter Sockets - Without Bypass

100 Amp Horizontal

Style #	Suffixes
---------	----------

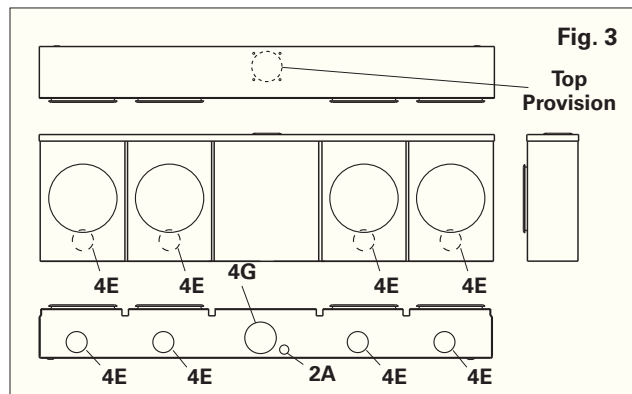
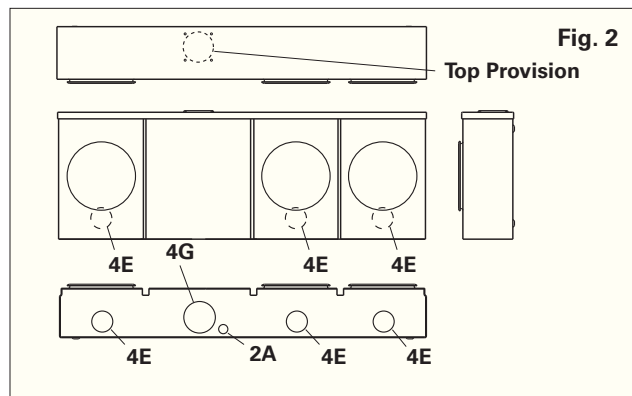
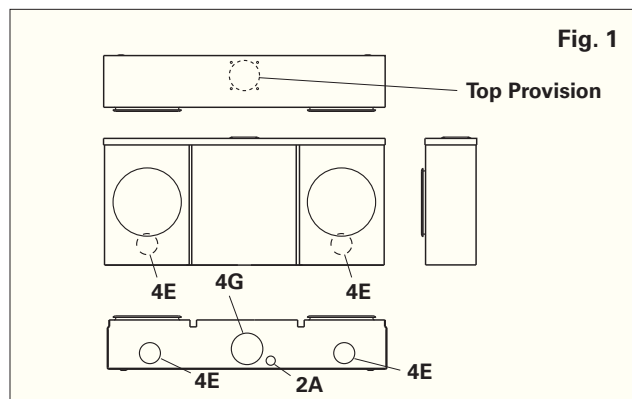
H012	SS - Stainless Steel
H013	
H014	

Knockouts - Conduit Sizes

2A = 1/2" - 1/4"
 4E = 1 1/2" - 1 1/4" - 1" - 3/4"
 4G = 2 1/2" - 2" - 1 1/2" - 1 1/4"
 Top Provision = See Chart

Multiple Metering

Knockout Layouts



Data subject to change without notice. Consult local utility for area acceptance. All dimensions are in inches.

Group Meter Sockets - With MCC Bypass

100 Amp Horizontal

Multiple Metering



142 MCC (closed)



Application

- For horizontal multi-meter installations - 4 position maximum
- Manual circuit closing (link type) bypasses under separate sealable covers
- 225A main buss
- Receive ANSI C12.10 watt-hour meters
- Overhead or underground feed (see chart)
- Surface mount

Construction

- Ring type
- NEMA Type 3R
- ANSI 61 gray E-coat finish
- Aluminum snap ring included

Standards

- UL 414 Listed
- ANSI C12.7

Accessories

- 5th Jaw Kit - 50365
- AW Hubs

Part/UPC Number	Catalog Number	Number of Positions	Buss Amps	Amp Rating	Jaws	Service Type	Access	Bypass
78205107766	142 MCC	2	225	100	4	1Ø/3W	OH/UG	MCC
78205107767	143 MCC	3	225	100	4	1Ø/3W	OH/UG	MCC
78205107768	144 MCC	4	225	100	4	1Ø/3W	OH/UG	MCC

Part/UPC Number	Catalog Number	Connections			Height	Overall Dimensions			Top Provision	Knockout Layout
		Line	Load	Neutral		Width	Depth			
78205107766	142 MCC	#6 - 250 MCM	#14 - 2/0	#6 - 250 MCM	17"	26 ¹ / ₂ "	4 ⁵ / ₈ "	AW Hub	Fig. 1	
78205107767	143 MCC	#6 - 250 MCM	#14 - 2/0	#6 - 250 MCM	17"	34 ³ / ₄ "	4 ⁵ / ₈ "	AW Hub	Fig. 2	
78205107768	144 MCC	#6 - 250 MCM	#14 - 2/0	#6 - 250 MCM	17"	43"	4 ⁵ / ₈ "	AW Hub	Fig. 3	

AIC Note:
For short circuit current ratings see page 131.

Group Meter Sockets - With MCC Bypass

100 Amp Horizontal

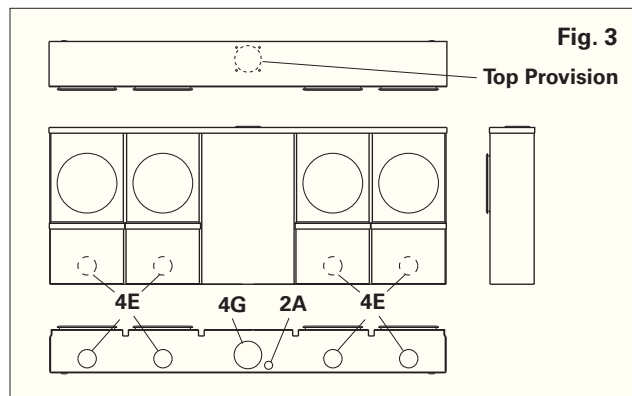
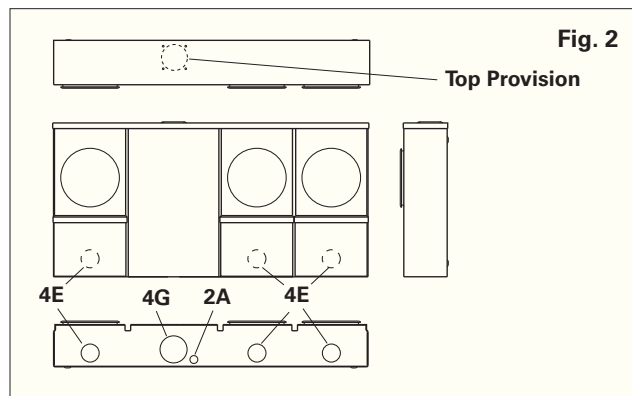
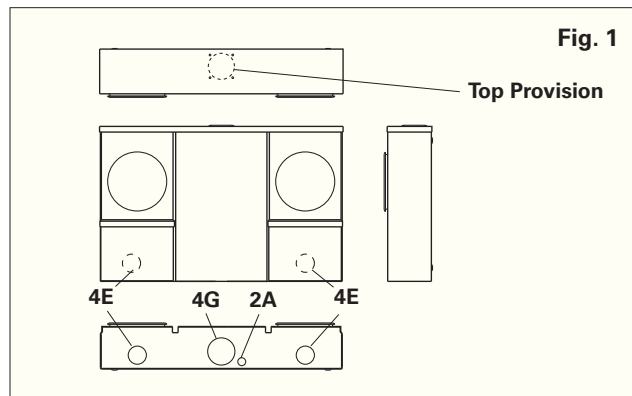
Style #	Suffixes
142 MCC	SS - Stainless Steel
143 MCC	
144 MCC	

Knockouts - Conduit Sizes

2A = 1/2" - 1/4"
 4E = 1 1/2" - 1 1/4" - 1" - 3/4"
 4G = 2 1/2" - 2" - 1 1/2" - 1 1/4"
 Top Provision = See Chart

Multiple Metering

Knockout Layouts



Data subject to change without notice. Consult local utility for area acceptance. All dimensions are in inches.

Group Meter Sockets - Without Bypass

200 Amp Vertical

Multiple Metering



202 H (closed)



202 H (open)

Application

- For vertical multi-meter installations - 4 position maximum 400A main buss
- Receive ANSI C12.10 watt-hour meters
- Overhead or underground feed (see chart)
- Surface mount

Construction

- Ring type
- NEMA Type 3R
- ANSI 61 gray E-coat finish
- Aluminum snap ring included



Standards

- UL 414 Listed
- ANSI C12.7
- EUSERC 342

Accessories

- 5th Jaw Kit - 50365
- H Hubs

Part/UPC Number	Catalog Number	Number of Positions	Buss Amps	Amp Rating	Jaws	Service Type	Access
78205155060	202 H	2	400	200	4	1Ø/3W	OH/UG
78205155070	203 H	3	400	200	4	1Ø/3W	OH/UG
78205155080	204 H	4	400	200	4	1Ø/3W	OH/UG

Part/UPC Number	Catalog Number	Connections			Overall Dimensions	Top Provision	Knockout Layout		
		Line	Load	Neutral				Height	Width
78205155060	202 H	#4 - 600 MCM	#6 - 250 MCM	#4 - 600 MCM	32"	14"	6"	H Hub	Fig. 1
78205155070	203 H	#4 - 600 MCM	#4 - 250 MCM	#6 - 600 MCM	32"	28 ¹ / ₄ "	6"	H Hub	Fig. 2
78205155080	204 H	#4 - 600 MCM	#4 - 250 MCM	#6 - 600 MCM	32"	28 ¹ / ₄ "	6"	H Hub	Fig. 3

AIC Note:
For short circuit current ratings see page 131.

Group Meter Sockets - Without Bypass

200 Amp Vertical

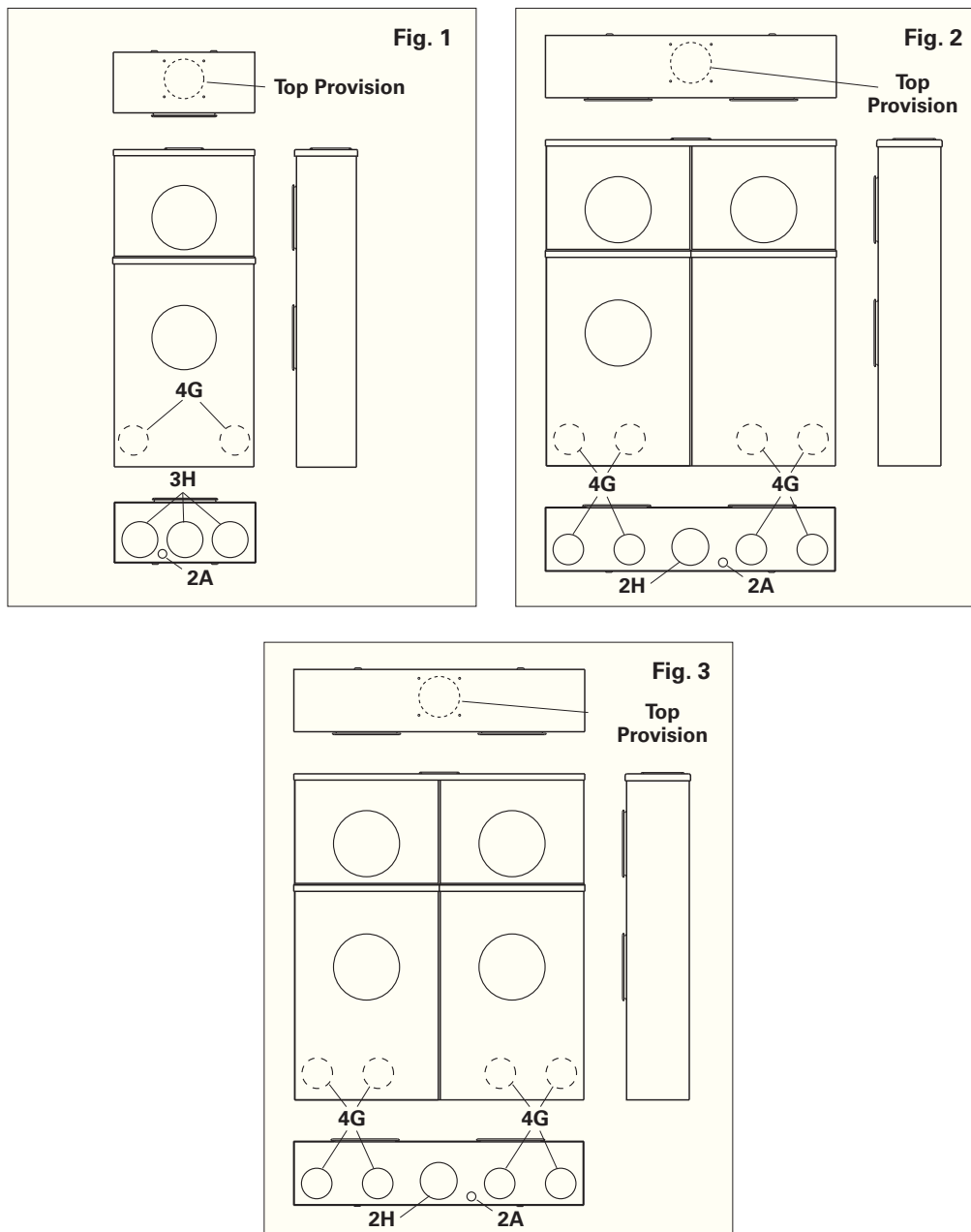
Style #	Suffixes
202	SS - Stainless Steel
202 H	
203 H	
204 H	

Knockouts - Conduit Sizes

2A = 1/2" - 1/4"
 4G = 2 1/2" - 2" - 1 1/2" - 1 1/4"
 2H = 3" - 2 1/2"
 Top Provision = See Chart

Multiple Metering

Knockout Layouts



Data subject to change without notice. Consult local utility for area acceptance. All dimensions are in inches.

Group Meter Sockets - With MCC Bypass

200 Amp Horizontal

Multiple Metering



242 MCC (closed)



242 MCC (open)



Application

- For horizontal multi-meter installations - 6 position maximum
- Manual circuit closing (link type) bypasses under separate sealable covers
- 400A main buss
- Receive ANSI C12.10 watt-hour meters
- Overhead or underground feed (see chart)
- Surface mount

Construction

- Ring type
- NEMA Type 3R
- ANSI 61 gray E-coat finish
- Aluminum snap ring included

Standards

- UL 414 Listed
- ANSI C12.7

Accessories

- 5th Jaw Kit - 50365
- H Hubs

Part/UPC Number	Catalog Number	Number of Positions	Buss Amps	Amp Rating	Jaws	Service Type	Access	Bypass
78205107296	242 MCC	2	400	200	4	1Ø/3W	OH/UG	MCC
78205107297	243 MCC	3	400	200	4	1Ø/3W	OH/UG	MCC
78205107298	244 MCC	4	400	200	4	1Ø/3W	OH/UG	MCC
78205107299	245 MCC	5	400	200	4	1Ø/3W	OH/UG	MCC
78205107300	246 MCC	6	400	200	4	1Ø/3W	OH/UG	MCC

Part/UPC Number	Catalog Number	Connections			Overall Dimensions			Top Provision	Knockout Layout
		Line	Load	Neutral	Height	Width	Depth		
78205107296	242 MCC	#4 - 600 MCM	#6 - 250 MCM	#4 - 600 MCM	23"	30"	4 ⁵ / ₈ "	H Hub	Fig. 1
78205107297	243 MCC	#4 - 600 MCM	#6 - 250 MCM	#4 - 600 MCM	23"	40"	4 ⁵ / ₈ "	H Hub	Fig. 2
78205107298	244 MCC	#4 - 600 MCM	#6 - 250 MCM	#4 - 600 MCM	23"	50"	4 ⁵ / ₈ "	H Hub	Fig. 3
78205107299	245 MCC	#4 - 600 MCM	#6 - 250 MCM	#4 - 600 MCM	23"	60"	4 ⁵ / ₈ "	H Hub	Fig. 4
78205107300	246 MCC	#4 - 600 MCM	#6 - 250 MCM	#4 - 600 MCM	23"	70"	4 ⁵ / ₈ "	H Hub	Fig. 5

AIC Note:
For short circuit current ratings see page 131.

Group Meter Sockets - With MCC Bypass

200 Amp Horizontal

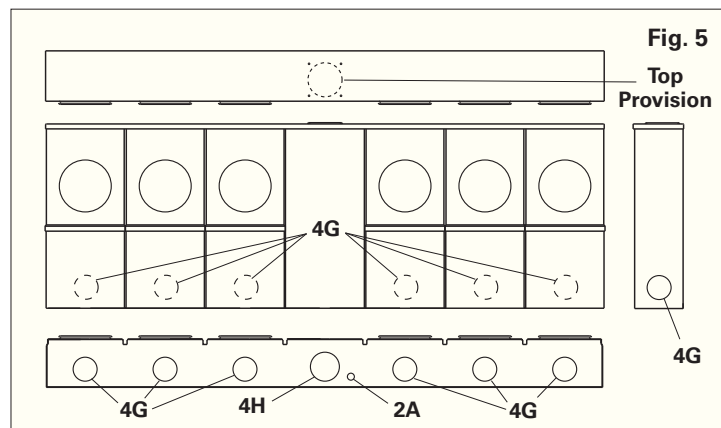
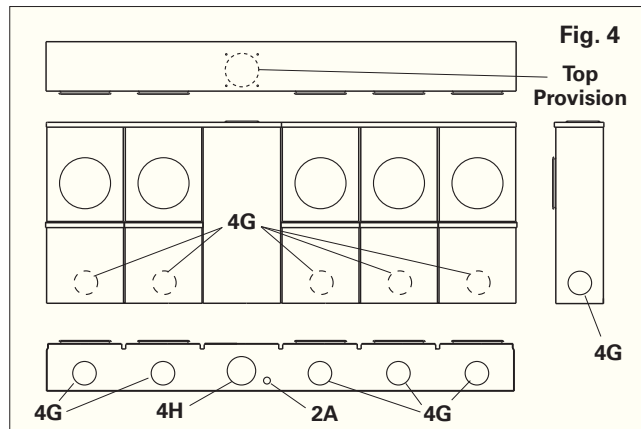
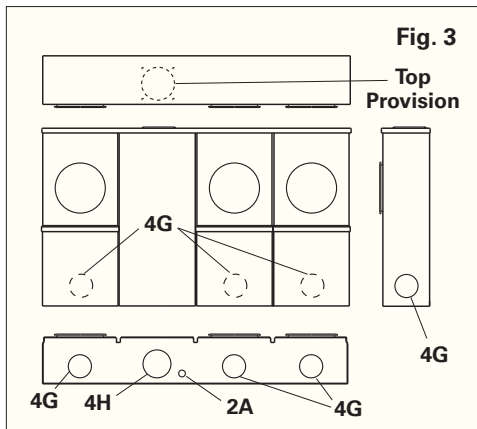
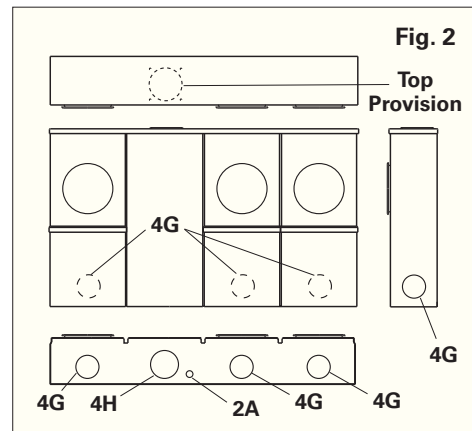
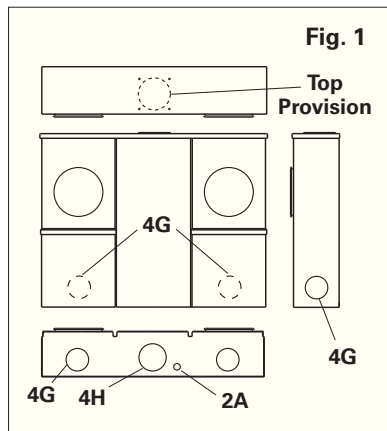
Style #	Suffixes
242 MCC	SS - Stainless Steel
243 MCC	
244 MCC	
245 MCC	
246 MCC	

Knockouts - Conduit Sizes

2A = 1/2" - 1/4"
 4G = 2 1/2" - 2" - 1 1/2" - 1 1/4"
 4H = 3" - 2 1/2" - 2" - 1 1/2"
 Top Provision = See Chart

Multiple Metering

Knockout Layouts



Data subject to change without notice. Consult local utility for area acceptance. All dimensions are in inches.