

# Group Meter Sockets - Gangable

## 100 Amp Horizontal - Indoor Use Only

Multiple Metering



**172 HSHDB (closed)**



**172 HSHDB (open)**

### Application

- For horizontal ganging of meter sockets - 6 position maximum 225A main buss
- Receive ANSI C12.10 watt-hour meters
- Surface mount

### Construction

- Ring type
- NEMA Type 1
- ANSI 61 gray E-coat finish
- Aluminum snap ring included



### Standards

- UL 414 Listed
- ANSI C12.7

### Accessories

- 5th Jaw Kit - 50365
- Screw Type Ring - 25016D

Part/UPC Number	Catalog Number	Number of Positions	Buss Amps	Amp Rating	Jaws	Service Type	Access
78205140010	<b>171 HS</b>	1	225	100	4	1Ø/3W	OH/UG
78205140170	<b>172 HSHDB</b>	2	225	100	4	1Ø/3W	OH/UG
78205140180	<b>173 HSHDB</b>	3	225	100	4	1Ø/3W	OH/UG
78205140190	<b>174 HSHDB</b>	4	225	100	4	1Ø/3W	OH/UG

Part/UPC Number	Catalog Number	Connections			Overall Dimensions			Knockout Layout
		Line	Load	Neutral	Height	Width	Depth	
78205140010	<b>171 HS</b>	#14 - 2/0	#14 - 2/0	#14 - 1/0	12"	12"	4 <sup>5</sup> / <sub>8</sub> "	Fig. 1
78205140170	<b>172 HSHDB</b>	#6 - 250 MCM	#14 - 2/0	#6 - 250 MCM	12"	24"	4 <sup>5</sup> / <sub>8</sub> "	Fig. 2
78205140180	<b>173 HSHDB</b>	#6 - 250 MCM	#14 - 2/0	#6 - 250 MCM	12"	36"	4 <sup>5</sup> / <sub>8</sub> "	Fig. 3
78205140190	<b>174 HSHDB</b>	#6 - 250 MCM	#14 - 2/0	#6 - 250 MCM	12"	48"	4 <sup>5</sup> / <sub>8</sub> "	Fig. 4

### Equipment Accessories

Part/UPC Number	Catalog Number	Description
78205140280	<b>171 E</b>	End Closure w/ KO's
78205140250	<b>171 EXT</b>	Extension Pull Box
78205140260	<b>LK171B</b>	Connecting Link Kit

AIC Note:  
For short circuit current ratings see page 131.

# Group Meter Sockets - Gangable

100 Amp - Indoor Use Only

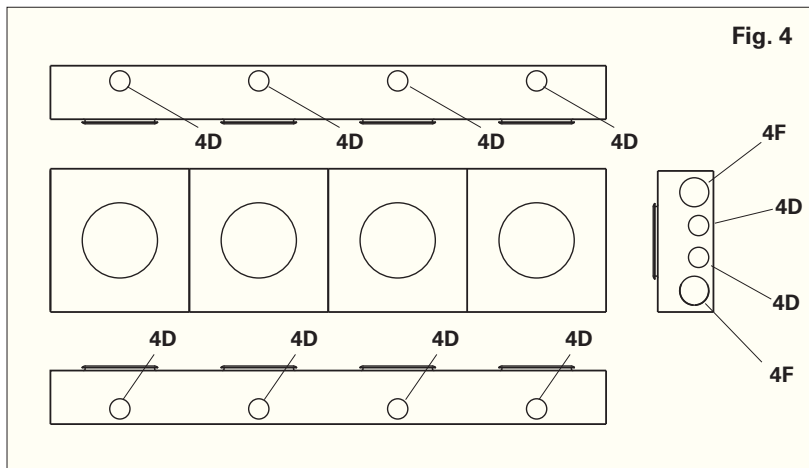
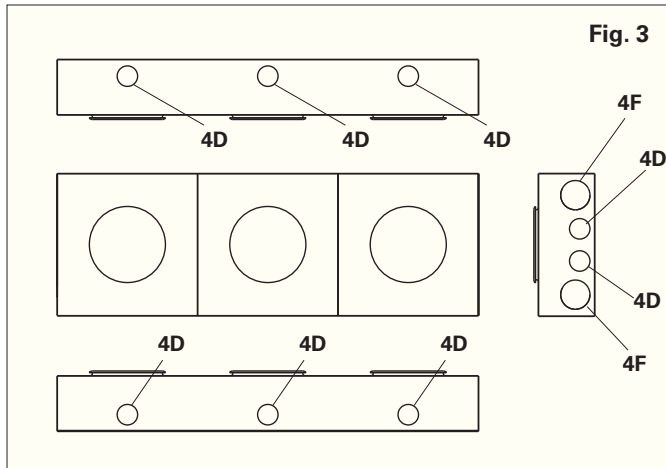
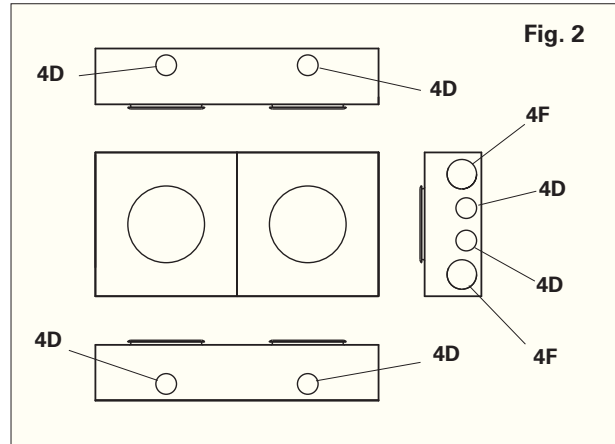
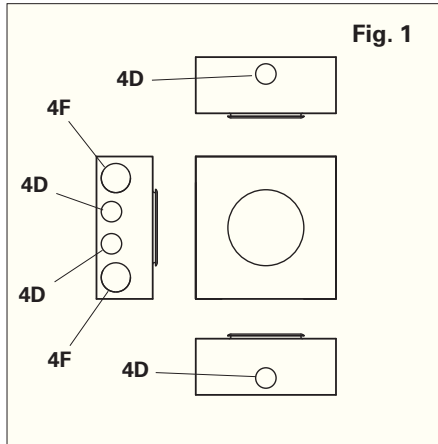
Style #	Suffixes
171	SS - Stainless Steel
172	
173	
174	

### Knockouts - Conduit Sizes

4D = 1 1/4" - 1" - 3/4" - 1/2"  
 4F = 2" - 1 1/2" - 1 1/4" - 1"

Multiple Metering

### Knockout Layouts



Data subject to change without notice. Consult local utility for area acceptance. All dimensions are in inches.