

# Multiple Metering, Horizontal Gang - Non Lever Bypass

100 Amp & 200 Amp Continuous per Position - 600 VAC



**HEN10434LGRST**  
shown open & closed



## Application

- 2 - 6 meter position
- Designed for watt hour meters that meet ANSI C12.10
- Overhead or underground feed
- Surface mount

## Construction

- Ringless cover
- Type 3R construction
- 16 Ga. galvanized/galvanized steel
- 5th jaw provision at nine (9) o'clock

## Standards

- UL 414 listed
- Complies with ANSI C12.7

## Finish

- ANSI 61 gray painted finish

## Accessories

- Replacement sockets
- AW hub assemblies
- Cap setscrew assemblies
- 5th jaw terminal kits
- Lug kits
- Jumper links
- Closing plates
- Touch-up paint

Multiple Metering Horiz.

Part/UPC Number	Catalog Number	Gang	Service	Top Prov.	Service Type	No. of Terminals	Bypass	Conductors Line/Load	Ground Prov. (Qty)	Overall Dimensions			Knockout Layout
										Height	Width	Depth	
100 Amp Continuous Per Position, 225 Amp Max. Overall Rating - Left Feed (AIC Rated per Table RL5 on page 41)													
78205140876	HEN10412LGRST MS68	2	OH	AW200 AWCAP	1Ø/3W	4	None	#6 AWG-350 KCMIL #14 AWG-2/0 AWG	(1) #10 AWG-#2 AWG	18 <sup>1</sup> / <sub>8</sub> "	16 <sup>1</sup> / <sub>2</sub> "	5 <sup>1</sup> / <sub>4</sub> "	Fig. 1
78205140877	HEN10413LGRST MS68	3	OH	AW200 AWCAP	1Ø/3W	4	None	#6 AWG-350 KCMIL #14 AWG-2/0 AWG	(1) #10 AWG-#2 AWG	18 <sup>1</sup> / <sub>8</sub> "	24 <sup>3</sup> / <sub>4</sub> "	5 <sup>1</sup> / <sub>4</sub> "	Fig. 2
78205158370	HEN10414LGRST MS68	4	OH	AW200 AWCAP	1Ø/3W	4	None	#6 AWG-350 KCMIL #14 AWG-2/0 AWG	(1) #10 AWG-#2 AWG	18 <sup>1</sup> / <sub>8</sub> "	33"	5 <sup>1</sup> / <sub>4</sub> "	Fig. 3
78205140878	HEN10432LGRST	2	OH/UG	AWCAP	1Ø/3W	4	None	#6 AWG-350 KCMIL #14 AWG-2/0 AWG	None	18 <sup>1</sup> / <sub>8</sub> "	20 <sup>1</sup> / <sub>2</sub> "	5 <sup>1</sup> / <sub>4</sub> "	Fig. 4
78205140879	HEN10433LGRST	3	OH/UG	AWCAP	1Ø/3W	4	None	#6 AWG-350 KCMIL #14 AWG-2/0 AWG	None	18 <sup>1</sup> / <sub>8</sub> "	28 <sup>3</sup> / <sub>4</sub> "	5 <sup>1</sup> / <sub>4</sub> "	Fig. 5
78205140881	HEN10434LGRST	4	OH/UG	AWCAP	1Ø/3W	4	None	#6 AWG-350 KCMIL #14 AWG-2/0 AWG	None	18 <sup>1</sup> / <sub>8</sub> "	37"	5 <sup>1</sup> / <sub>4</sub> "	Fig. 6
200 Amp Continuous Per Position, 400 Amp Max. Overall Rating - Center Feed (AIC Rated per Table RL6 on page 41)													
78205140882	HEN20432CGRST	2	OH/UG	AWCAP	1Ø/3W	4	None	<sup>3</sup> / <sub>8</sub> "-16 stud #6 AWG-350 KCMIL	(1) #10 AWG-#2 AWG	18 <sup>1</sup> / <sub>8</sub> "	24 <sup>3</sup> / <sub>4</sub> "	5 <sup>1</sup> / <sub>2</sub> "	Fig. 7
200 Amp (Left Hand Socket) / 125 Amp (Right Hand Socket) Max., 225 Amp Continuous Overall Rating - Left Feed (AIC Rated per Table RL6 on page 41)													
78205139786	HEN21432LGRST	2	OH/UG	AWCAP (2)	1Ø/3W	4	None	#6 AWG-350 KCMIL #14 AWG-2/0 AWG (*) #6 AWG-350 KCMIL (**)	None	18 <sup>1</sup> / <sub>8</sub> "	20 <sup>1</sup> / <sub>2</sub> "	5 <sup>1</sup> / <sub>4</sub> "	Fig. 4

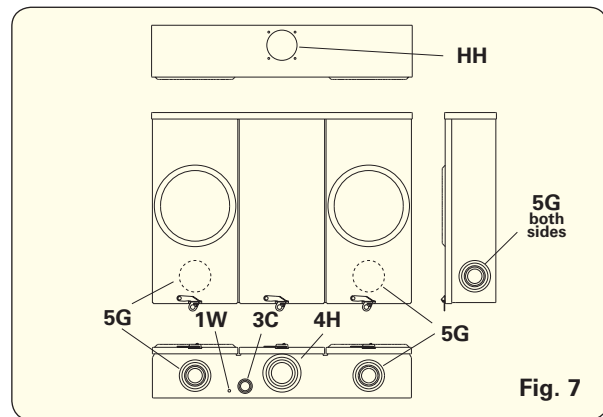
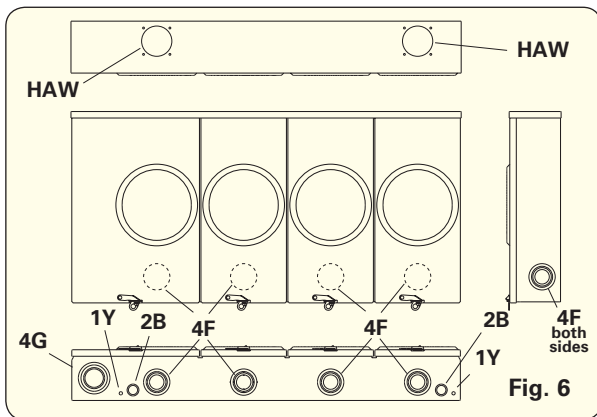
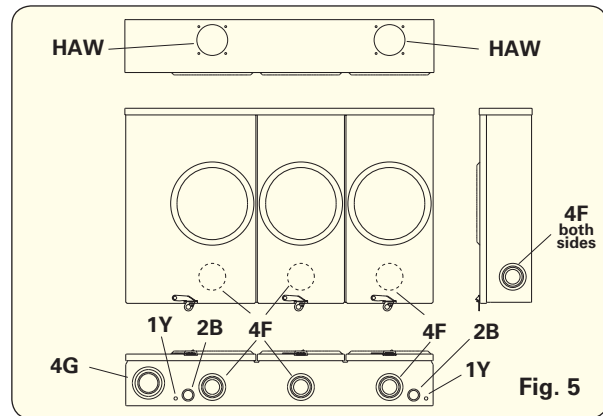
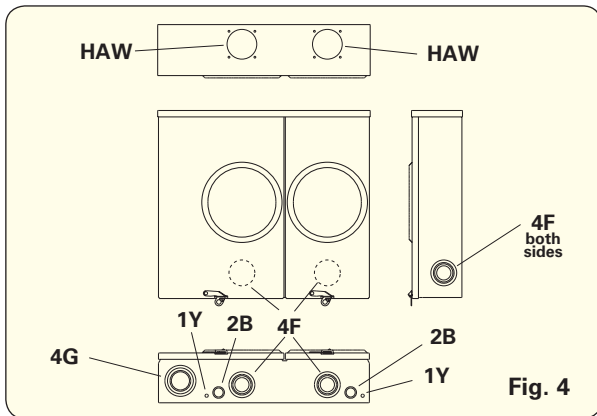
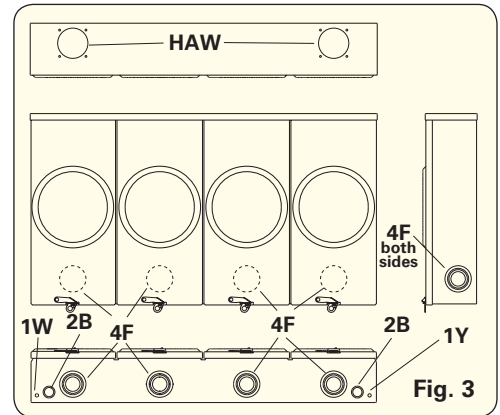
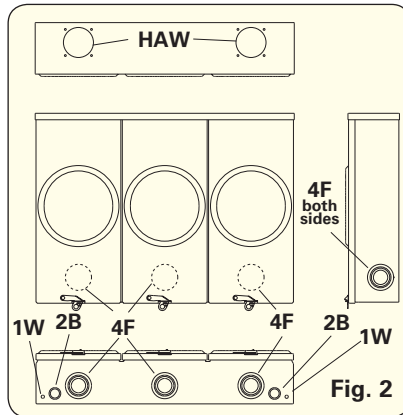
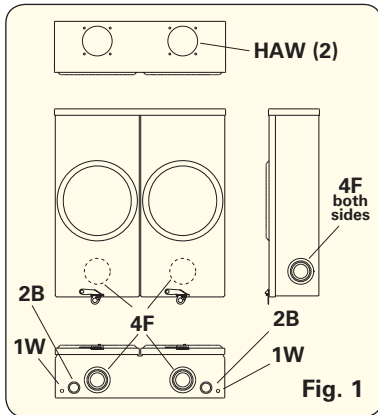
(\*) Load conductor for 125A socket    (\*\*) Load conductor for 200A socket

Data subject to change without notice. Consult local utility for area acceptance. All dimensions are in inches.

# Multiple Metering, Horizontal Gang - Non Lever Bypass

100 Amp & 200 Amp Continuous per Position - 600 VAC

## Knockout Layouts



Instruction label, found in left/right feed enclosures, to convert left feed unit to right feed.

### TO CONVERT OH LEFT FEED TO OH RIGHT-FEED:

- 1) REMOVE LINE-SIDE LUGS FROM LEFT SIDE OF MAIN BUSES.
- 2) REINSTALL ON RIGHT SIDE OF MAIN BUSES USING SAME HARDWARE.
- 3) REMOVE NEUTRAL LUG FROM LEFT SIDE OF NEUTRAL BUSS.
- 4) REMOVE SCREW FROM FAR RIGHT OF NEUTRAL BUSS AND REINSTALL IN HOLE ON FAR LEFT NEUTRAL BUSS USING SAME HARDWARE.
- 5) REINSTALL NEUTRAL LUG IN HOLE ON FAR RIGHT OF NEUTRAL BUSS.
- 6) TORQUE ALL SCREWS TO 132 IN-LBS.

### Knockouts - Conduit Sizes

- 1W = 1/4" dia.
- 1Y = 5/16" dia.
- 2B = 3/4" - 1/2"
- 3C = 1" - 3/4" - 1/2"
- 4F = 2" - 1 1/2" - 1 1/4" - 1"
- 4G = 2 1/2" - 2" - 1 1/2" - 1 1/4"
- 4H = 3" - 2 1/2" - 2" - 1 1/2"
- 5G = 2 1/2" - 2" - 1 1/2" - 1 1/4" - 1"
- HAW = AW Hub Opening (Small)
- HH = H Hub Opening (Large)

Data subject to change without notice. Consult local utility for area acceptance. All dimensions are in inches.

# Multiple Metering, Horizontal Gang - Non-Jaw Clamping Lever Bypass

100 Amp Continuous per Position - 600 VAC



**HEC10434CGR1N**  
shown open & closed



## Application

- 2 - 6 meter position
- Designed for watt hour meters that meet ANSI C12.10
- Overhead or underground feed
- Surface mount

## Construction

- Ringless cover
- Type 3R construction
- 16 Ga. galvaneal/galvanized steel
- Includes 5th jaw at nine (9) o'clock, may be replaced to six (6) o'clock

## Standards

- UL 414 listed
- Complies with ANSI C12.7

## Finish

- ANSI 61 gray painted finish

## Accessories

- Replacement sockets
- AW & H-Base hub assemblies
- Cap setscrew assemblies
- Lug kits
- Jumper links
- Closing plates
- Touch-up paint

Multiple Metering Horiz.

Part/UPC Number	Catalog Number	Gang	Service	Top Prov.	Service Type	No. of Terminals	Bypass	Conductors Line/Load	Ground Prov. (Qty)	Overall Dimensions			Knockout Layout
										Height	Width	Depth	
100 Amp Continuous Per Position, 225 Amp Max. Overall Rating - Center Feed (AIC Rated per Table RL5 on page 41)													
78205140869	HEC10432CGR1N	2	OH/UG	AW CAP	1Ø/3W	5	NJCLB *	3/8"-16 UNC stud #14 AWG-2/0 AWG	(1) #10 AWG-#2 AWG	19 1/8"	30 3/4"	5 5/8"	Fig. 1
78205140874	HEC10433CGR1N	3	OH/UG	AW CAP	1Ø/3W	5	NJCLB *	3/8"-16 UNC stud #14 AWG-2/0 AWG	(1) #10 AWG-#2 AWG	19 1/8"	41"	5 5/8"	Fig. 2
78205140875	HEC10434CGR1N	4	OH/UG	AW CAP	1Ø/3W	5	NJCLB *	3/8"-16 UNC stud #14 AWG-2/0 AWG	(1) #10 AWG-#2 AWG	19 1/8"	51 1/4"	5 5/8"	Fig. 3
100 Amp Continuous Per Position, 400 Amp Max. Overall Rating - Center Feed (AIC Rated per Table RL5 on page 41)													
78205163120	HEC10435CGR1N	5	OH/UG	H10	1Ø/3W	5	NJCLB *	3/8"-16 UNC stud #14 AWG-2/0 AWG	(1) #10 AWG-#2 AWG	19 1/8"	60 1/2"	5 1/4"	Fig. 4
78205163121	HEC10436CGR1N	6	OH/UG	H10	1Ø/3W	5	NJCLB *	3/8"-16 UNC stud #14 AWG-2/0 AWG	(1) #10 AWG-#2 AWG	19 1/8"	71 3/4"	5 1/4"	Fig. 5

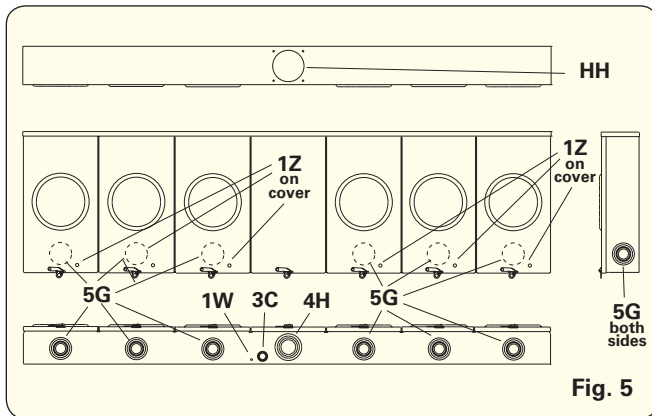
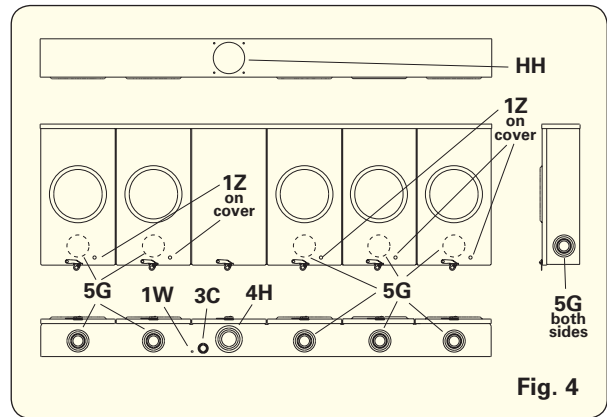
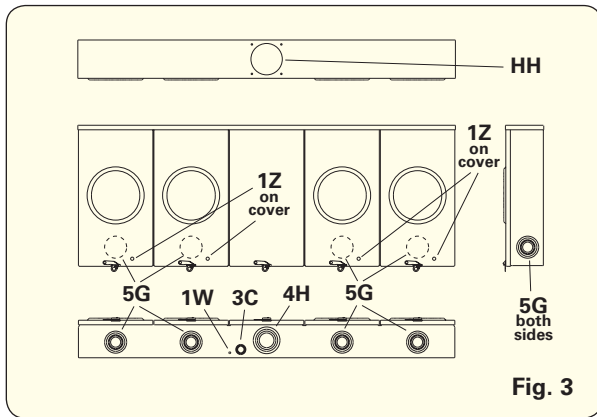
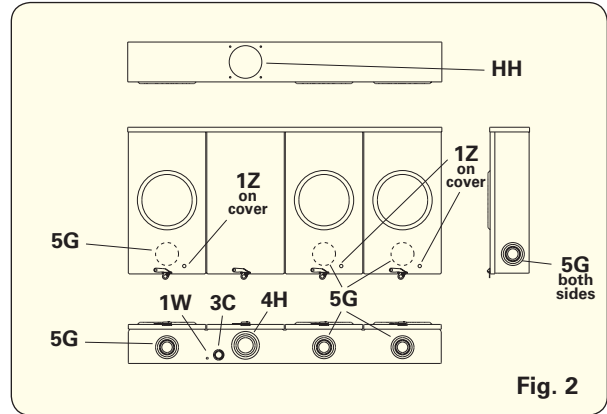
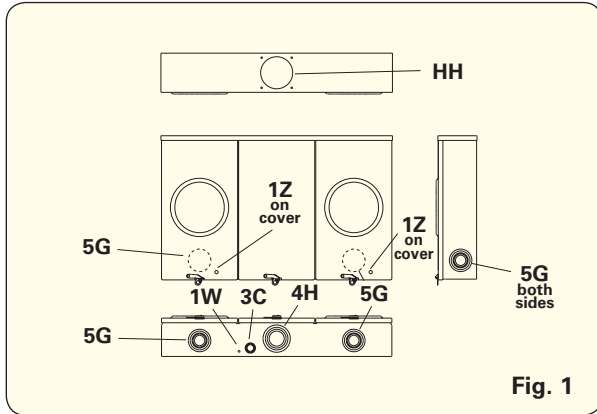
\* Bypass lever operates bypass only, non jaw clamping

Data subject to change without notice. Consult local utility for area acceptance. All dimensions are in inches.

# Multiple Metering, Horizontal Gang - Non-Jaw Clamping Lever Bypass

100 Amp Continuous per Position - 600 VAC

## Knockout Layouts



### Knockouts - Conduit Sizes

- 1W = 1/4" dia.
- 1Z = 7/16" dia.
- 3C = 1" - 3/4" - 1/2"
- 4H = 3" - 2 1/2" - 2" - 1 1/2"
- 5G = 2 1/2" - 2" - 1 1/2" - 1 1/4" - 1"
- HH = H Hub Opening (Large)

Data subject to change without notice. Consult local utility for area acceptance. All dimensions are in inches.

# Multiple Metering, Horizontal Gang - Lever Bypass

200 Amp Continuous per Position - 600 VAC



HEL20434CGR1N  
shown open & closed



## Application

- 2 - 6 meter position
- Designed for watt hour meters that meet ANSI C12.10
- Overhead or underground feed
- Surface mount

## Construction

- Ringless cover
- Type 3R construction
- 16 Ga. galvanized/galvanneal steel

## Standards

- UL 414 listed
- Complies with ANSI C12.7

## Finish

- ANSI 61 gray painted finish

## Accessories

- Replacement sockets
- AW and H-base hub assemblies
- Cap setscrew assemblies
- Lug kits
- Jumper links
- Closing plates
- Touch-up paint

Multiple Metering Horiz.

Part/UPC Number	Catalog Number	Gang	Service	Top Prov.	Service Type	No. of Terminals	Bypass	Conductors Line/Load	Ground Prov. (Qty)	Overall Dimensions Height	Overall Dimensions Width	Overall Dimensions Depth	Knockout Layout
200 Amp Continuous Per Position, 400 Amp Max. Overall Rating - Center Feed (AIC Rated per Table RL4 on page 41)													
78205139772	HEL20432CGR1N	2	OH/UG	AW CAP (2)	1Ø/3W	5 ††	Lever Bypass	3/8"-16 UNC stud #6 AWG-350 KCMIL	(1) #10 AWG-#2 AWG	25"	30 3/4"	6 5/8"	Fig. 1
78205139774	HEL20433CGR1N	3	OH/UG	AW CAP (2)	1Ø/3W	5 ††	Lever Bypass	3/8"-16 UNC stud #6 AWG-350 KCMIL	(1) #10 AWG-#2 AWG	25"	41"	6 5/8"	Fig. 2
78205139775	HEL20434CGR1N	4	OH/UG	AW CAP (2)	1Ø/3W	5 ††	Lever Bypass	3/8"-16 UNC stud #6 AWG-350 KCMIL	(1) #10 AWG-#2 AWG	25"	51 1/4"	6 5/8"	Fig. 3
200 Amp Continuous Per Position, 600 Amp Max. Overall Rating - Center Feed (AIC Rated per Table RL4 on page 41)													
78205163151	HEL20435CGR1N	5	OH/UG	H10 (2)	1Ø/3W	5 ††	Lever Bypass	3/8"-16 UNC stud #6 AWG-350 KCMIL	(1) #10 AWG-#2 AWG	25"	61 1/2"	6 1/4"	Fig. 4
78205163152	HEL20436CGR1N	6	OH/UG	H10 (2)	1Ø/3W	5 ††	Lever Bypass	3/8"-16 UNC stud #6 AWG-350 KCMIL	(1) #10 AWG-#2 AWG	25"	71 3/4"	6 1/4"	Fig. 5
200 Amp Continuous Per Position, 400 Amp Max. Overall Rating - Center Feed (AIC Rated per Table RL1 on page 41)													
78205140301	HEL20732CGR1N	2	OH/UG	AW CAP (2)	3Ø/4W	7	Lever Bypass	3/8"-16 UNC stud #6 AWG-350 KCMIL	(1) #10 AWG-#2 AWG	25"	30 3/4"	6 5/8"	Fig. 1
78205163153	HEL20733CGR1N	3	OH/UG	H10 (2)	3Ø/4W	7	Lever Bypass	3/8"-16 UNC stud #6 AWG-350 KCMIL	(1) #10 AWG-#2 AWG	25"	41"	6 1/4"	Fig. 2
78205163154	HEL20734CGR1N	4	OH/UG	H10 (2)	3Ø/4W	7	Lever Bypass	3/8"-16 UNC stud #6 AWG-350 KCMIL	(1) #10 AWG-#2 AWG	25"	51 1/4"	6 1/4"	Fig. 3
200 Amp Continuous Per Position, 600 Amp Max. Overall Rating - Center Feed (AIC Rated per Table RL1 on page 41)													
78205163169	HEL20735CGR1N	5	OH/UG	H10 (2)	3Ø/4W	7	Lever Bypass	3/8"-16 UNC stud #6 AWG-350 KCMIL	(1) #10 AWG-#2 AWG	25"	61 1/2"	6 1/4"	Fig. 4
78205163170	HEL20736CGR1N	6	OH/UG	H10 (2)	3Ø/4W	7	Lever Bypass	3/8"-16 UNC stud #6 AWG-350 KCMIL	(1) #10 AWG-#2 AWG	25"	71 3/4"	6 1/4"	Fig. 5

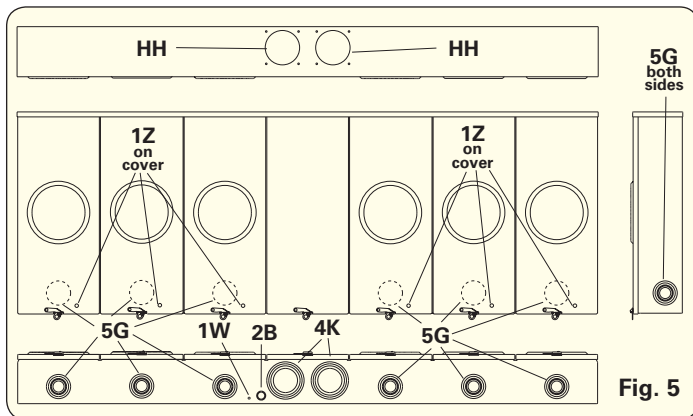
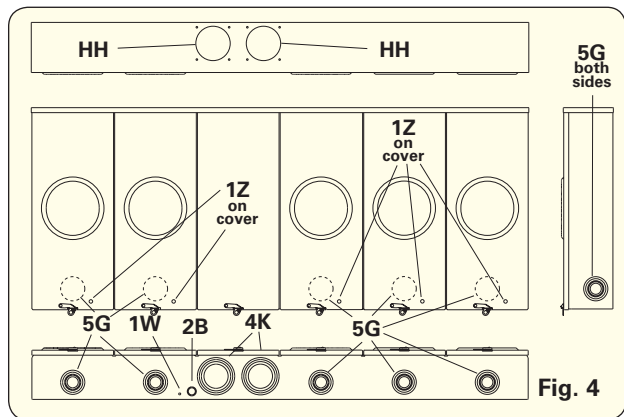
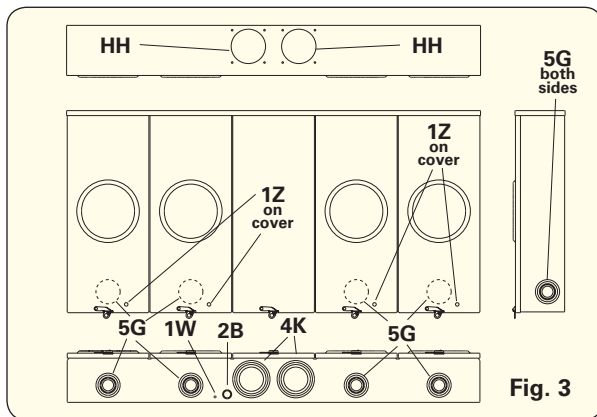
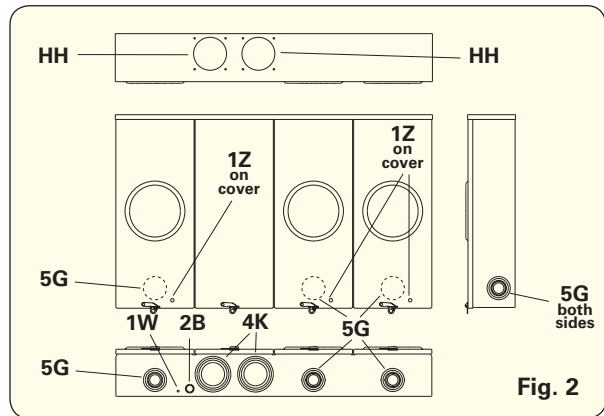
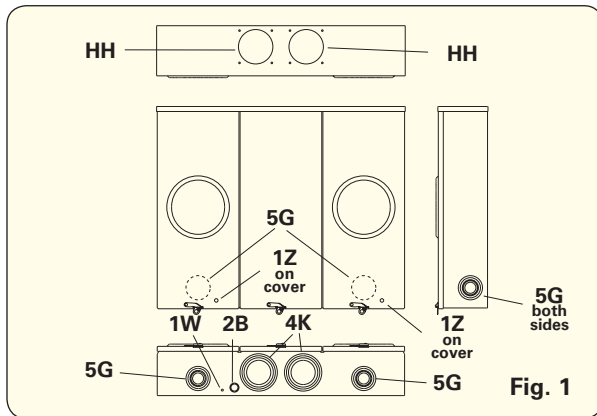
†† Includes 5th jaw installed at nine (9) o'clock. May be relocated to six (6) o'clock.

Data subject to change without notice. Consult local utility for area acceptance. All dimensions are in inches.

# Multiple Metering, Horizontal Gang - Lever Bypass

200 Amp Continuous per Position - 600 VAC

## Knockout Layouts



### Knockouts - Conduit Sizes

- 1W = 1/4" dia.
- 1Z = 7/16" dia.
- 2B = 3/4" - 1/2"
- 4K = 4" - 3 1/2" - 3" - 2 1/2"
- 5G = 2 1/2" - 2" - 1 1/2" - 1 1/4" - 1"
- HH = H Hub Opening (Large)

Multiple Metering Horiz.

Data subject to change without notice. Consult local utility for area acceptance. All dimensions are in inches.

# Multiple Metering, Horizontal Gang - Owner's Loop

125 Amp Continuous per Position - 600 VAC



**HEN12435CGRSTOL**  
shown open & closed



## Application

- 2 - 5 meter position
- Designed for watt hour meters that meet ANSI C12.10
- Overhead or underground feed
- Surface mount

## Construction

- Ringless cover
- Type 3R construction
- 16 Ga. galvanized/galvanized steel
- 5th jaw provision at nine (9) o'clock
- 125 Amp non jaw clamping socket assembly on right only, remaining socket assemblies are non lever bypass

## Standards

- UL 414 listed
- Complies with ANSI C12.7

## Finish

- ANSI 61 gray Painted finish

## Accessories

- Replacement sockets
- AW & H-Base hub assemblies
- Cap setscrew assemblies
- 5th jaw terminal kits
- Lug kits
- Jumper links
- Closing plates
- Touch-up paint

Part/UPC Number	Catalog Number	Gang	Service	Top Prov.	Service Type	No. of Terminals	Bypass	Conductors Line/Load	Ground Prov. (Qty)	Overall Dimensions			Knockout Layout
										Height	Width	Depth	
125 Amp Continuous Per Position, 225 Amp Max. Overall Rating - Center Feed (AIC Rated per Table RL1 on page 41)													
78205139782	HEN12433CGRSTOL	3	OH/UG	AW CAP	1Ø/3W	4	NJCLB (owner's meter only)	3/8"-16 stud #14 AWG-2/0 AWG	(1) #10 AWG-#2 AWG	18 1/8"	35"	5 1/2"	Fig. 1
78205139783	HEN12434CGRSTOL	4	OH/UG	AW CAP	1Ø/3W	4	NJCLB (owner's meter only)	3/8"-16 stud #14 AWG-2/0 AWG	(1) #10 AWG-#2 AWG	18 1/8"	43 1/4"	5 1/2"	Fig. 2
125 Amp Continuous Per Position, 400 Amp Max. Overall Rating - Center Feed (AIC Rated per Table RL1 on page 41)													
78205139784	HEN12435CGRSTOL	5	OH/UG	H10	1Ø/3W	4	NJCLB (owner's meter only)	#6 AWG-350 KCMIL #14 AWG-2/0 AWG	(1) #10 AWG-#2 AWG	18 1/8"	51 1/2"	5 1/8"	Fig. 3

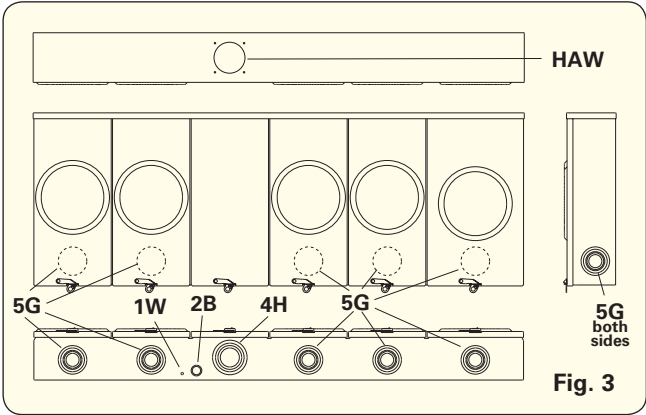
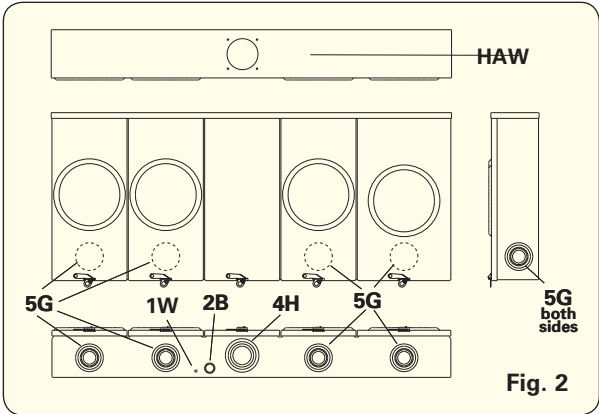
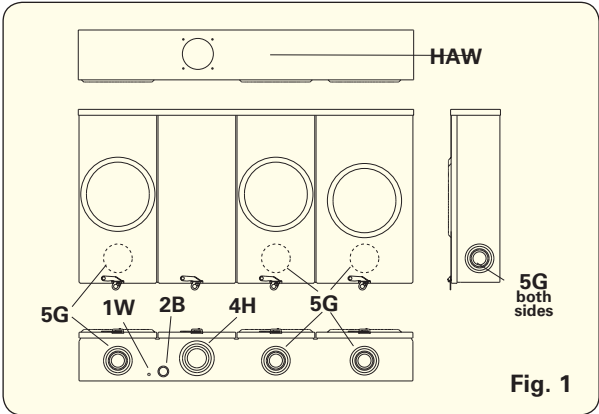
Data subject to change without notice. Consult local utility for area acceptance. All dimensions are in inches.



# Multiple Metering, Horizontal Gang - Owner's Loop

125 Amp Continuous per Position - 600 VAC

## Knockout Layouts



**Knockouts - Conduit Sizes**

- 1W = 1/4" dia.
- 2B = 3/4" - 1/2"
- 4H = 3" - 2 1/2" - 2" - 1 1/2"
- 5G = 2 1/2" - 2" - 1 1/2" - 1 1/4" - 1"
- HAW = AW Hub Opening (Small)

Multiple Metering Horiz.

Data subject to change without notice. Consult local utility for area acceptance. All dimensions are in inches.



# Multiple Metering, Vertical Gang

Non Lever 100 Amp Continuous - 600 VAC  
200 Amp / 100 Amp Owner's Loop - 600 VAC



**VEN10432CGRST**  
shown open & closed



### Application

- 2 - 3 meter position
- Designed for watt hour meters that meet ANSI C12.10
- Overhead or underground feed
- Surface mount

### Construction

- Ringless cover
- Type 3R construction
- 16 Ga. galvaneal / galvanized steel
- 5th jaw provision at nine (9) o'clock

### Standards

- UL 414 listed
- Complies with ANSI C12.7

### Finish

- ANSI 61 gray painted finish

### Accessories

- Replacement sockets
- AW hub assemblies
- Cap setscrew assemblies
- 5th jaw terminal kits
- Lug kits
- Jumper links
- Closing plates
- Touch-up paint

Part/UPC Number	Catalog Number	Gang	Service	Top Prov.	Service Type	No. of Terminals	Bypass	Conductors Line/Load	Ground Prov. (Qty)	Overall Dimensions			Knockout Layout
										Height	Width	Depth	
100 Amp Continuous Per Position, 225 Amp Max. Overall Rating - Center Feed (AIC Rated per Table RL5 on page 41)													
78205141426	VEN10432CGRST	2	OH/UG	AWCAP	1Ø/3W	4	Non Lever Bypass	#6 AWG-350 KCMIL #6 AWG-350 KCMIL (***) #14 AWG-2/0 AWG (**)	(3) #10 AWG-1/0 AWG	34 <sup>1</sup> / <sub>8</sub> "	13 <sup>1</sup> / <sub>4</sub> "	6 <sup>1</sup> / <sub>2</sub> "	Fig. 1
78205141544	VEN10433CGRST	3	OH/UG	AWCAP	1Ø/3W	4	Non Lever Bypass	#6 AWG-350 KCMIL #6 AWG-350 KCMIL (***) #14 AWG-2/0 AWG (**)	(3) #10 AWG-1/0 AWG	49 <sup>1</sup> / <sub>8</sub> "	13 <sup>1</sup> / <sub>4</sub> "	6 <sup>1</sup> / <sub>2</sub> "	Fig. 2
Owner's Loop, 200 Amp Continuous (Top Socket) / 100 Amp Continuous (Bottom Socket), 225 Amp Max. Overall Rating - Center Feed (AIC Rated per Table RL6 on page 41)													
78205141437	VEN21432CGRSTOL	2	OH/UG	AWCAP	1Ø/3W	4	NJCLB *	#6 AWG-350 KCMIL #6 AWG-350 KCMIL (***) #14 AWG-2/0 AWG (**)	(3) #10 AWG-1/0 AWG	34 <sup>1</sup> / <sub>4</sub> "	13 <sup>1</sup> / <sub>4</sub> "	6 <sup>1</sup> / <sub>2</sub> "	Fig. 1

Owner's meter is lever bypass, all other positions are non lever bypass

\* Bypass lever operates bypass only, non-jaw clamping

(\*\*) Load conductor for 100 amp socket

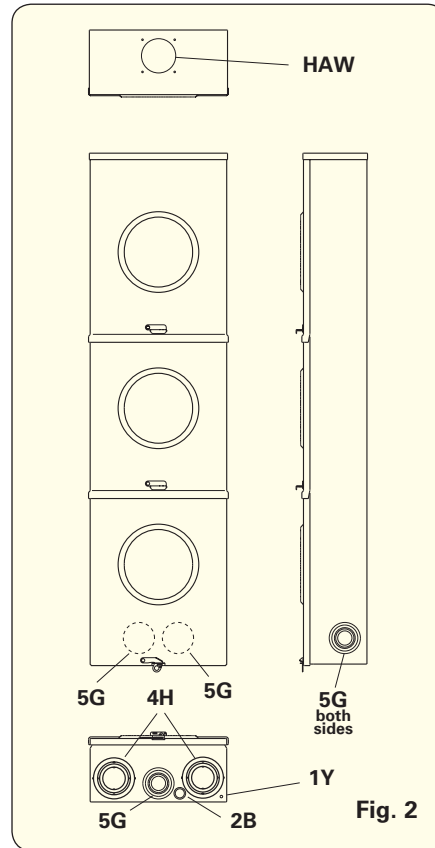
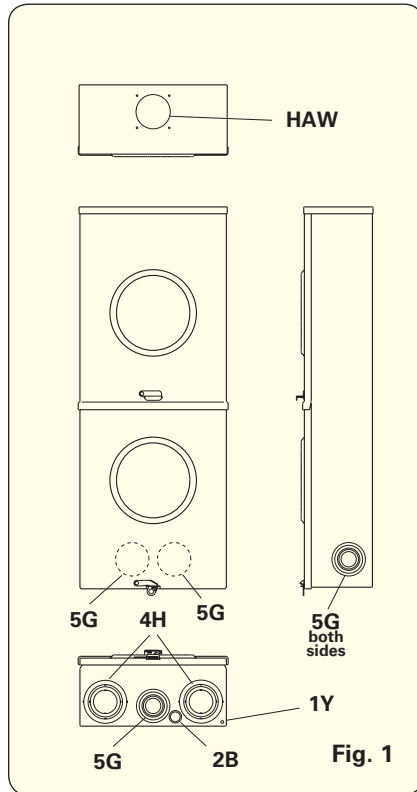
(\*\*\*) Load side neutral

Data subject to change without notice. Consult local utility for area acceptance. All dimensions are in inches.

# Multiple Metering, Vertical Gang

Non Lever 100 Amp Continuous - 600 VAC  
200 Amp / 100 Amp Owner's Loop - 600 VAC

## Knockout Layouts



### Knockouts - Conduit Sizes

1Y =  $\frac{5}{16}$ " dia.  
2B =  $\frac{3}{4}$ " -  $\frac{1}{2}$ "  
4H = 3" - 2 $\frac{1}{2}$ " - 2" - 1 $\frac{1}{2}$ "  
5G = 2 $\frac{1}{2}$ " - 2" - 1 $\frac{1}{2}$ " - 1 $\frac{1}{4}$ " - 1"  
HAW = AW Hub Opening (Small)

Data subject to change without notice. Consult local utility for area acceptance. All dimensions are in inches.