

Multiple Metering, Vertical Gang - Non Lever Bypass

125 Amp & 200 Amp Condo Pak with Main Breaker Provisions - 600 VAC



VENMP20436CGRST
shown open & closed



Application

- 2 - 6 meter position
- Designed for watt hour meters that meet ANSI C12.10
- Overhead or underground feed
- Surface mount

Construction

- Ringless cover
- Type 3R construction
- 14 Ga. & 16 Ga. galvaneal/galvanized steel
- 5th jaw provision at nine (9) o'clock

Standards

- UL 67 listed
- Complies with ANSI C12.7

Finish

- ANSI 61 gray painted finish

Accessories

- Replacement sockets
- AW & H-base hub assemblies
- 5th jaw terminal kits
- Lug kits
- Closing plate
- Touch-up paint

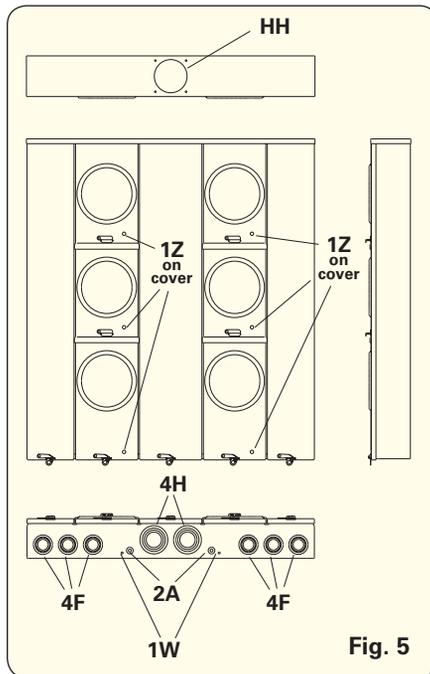
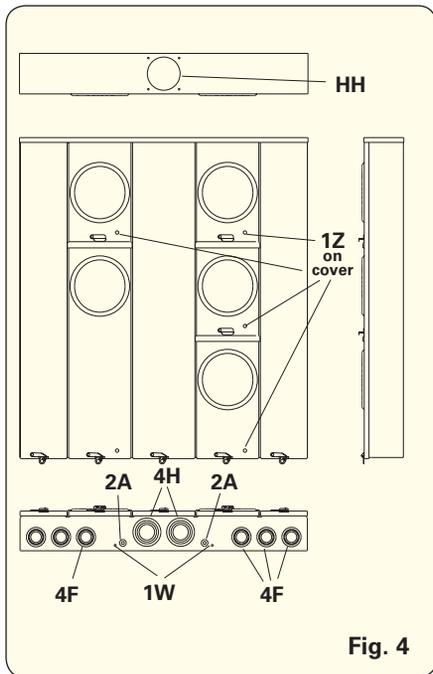
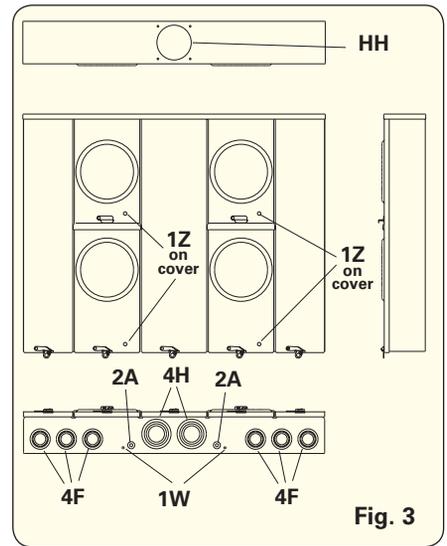
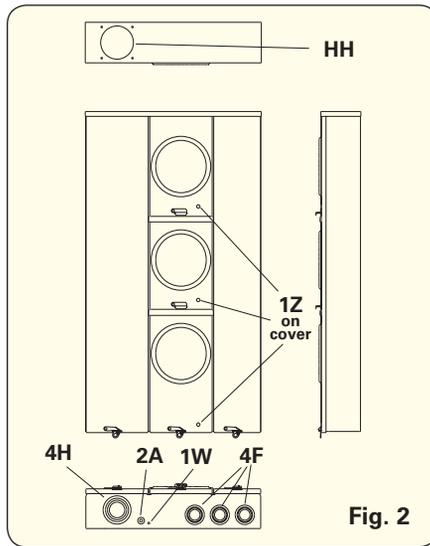
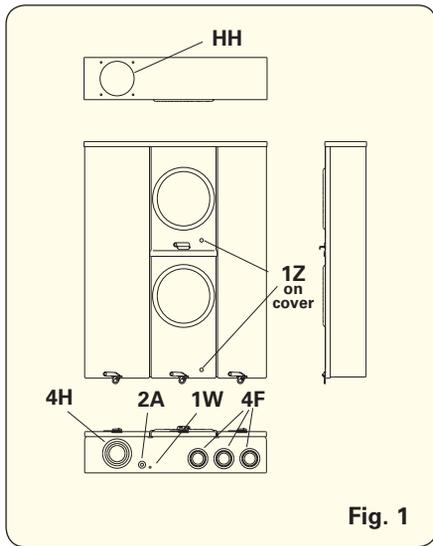
Part/UPC Number	Catalog Number	Gang	Service	Top Prov.	Service Type	No. of Terminals	Bypass	Conductors Line/Load	Ground Prov. (Qty)	Overall Dimensions Height	Width	Depth	Knockout Layout
125 Amp Continuous Per Position, 200 Amp Max. Overall Rating, 2-Pole 100 Amp Plug-In Provisions -Left Feed (AIC Rated per Table RL8 on page 42)													
78205141427	VENMP12432LGRST	2	OH/UG	H10	1Ø/3W	4	None	3/8"-16 UNC stud #6-350KCMIL & #10-1/0	(1) #10-2/0 (2) #10-1/0	29 1/4"	22 1/8"	5 1/8"	Fig. 1
78205141428	VENMP12433LGRST	3	OH/UG	H10	1Ø/3W	4	None	3/8"-16 UNC stud #6-350KCMIL & #10-1/0	(1) #10-2/0 --	41 1/4"	22 1/8"	5 1/8"	Fig. 2
125 Amp Continuous Per Position, 400 Amp Max. Overall Rating, 2-Pole 100 Amp Plug-In Provisions -Center Feed (AIC Rated per Table RL8 on page 42)													
78205141429	VENMP12434CGRST	4	OH/UG	H10	1Ø/3W	4	None	3/8"-16 UNC stud #6-350KCMIL & #10-1/0	(1) #10-2/0 (4) #10-1/0	29 1/4"	37 1/2"	5 1/8"	Fig. 3
78205141430	VENMP12435CGRST	5	OH/UG	H10	1Ø/3W	4	None	3/8"-16 UNC stud #6-350KCMIL & #10-1/0	(1) #10-2/0 (2) #10-1/0	41 1/4"	37 1/2"	5 1/8"	Fig. 4
78205141630	VENMP12436CGRST	6	OH/UG	H10	1Ø/3W	4	None	3/8"-16 UNC stud #6-350KCMIL & #10-1/0	(1) #10-2/0 --	41 1/4"	37 1/2"	5 1/8"	Fig. 5
200 Amp Continuous Per Position, 400 Amp Max. Overall Rating, 2-Pole 200 Amp Plug-In Provisions -Left Feed (AIC Rated per Table RL8 on page 42)													
78205141431	VENMP20432LGRST	2	OH/UG	H10	1Ø/3W	4	None	3/8"-16 UNC stud #6-350KCMIL & #10-1/0	(2) #6-350KCMIL (1) #10-1/0	29 1/4"	22 1/8"	5 1/8"	Fig. 1
78205141432	VENMP20433LGRST	3	OH/UG	H10	1Ø/3W	4	None	3/8"-16 UNC stud #6-350KCMIL & #10-1/0	(1) #6-350KCMIL --	41 1/4"	22 1/8"	5 1/8"	Fig. 2
200 Amp Continuous Per Position, 550 Amp Max. Overall Rating, 2-Pole 200 Amp Plug-In Provisions -Center Feed (AIC Rated per Table RL8 on page 42)													
78205141631	VENMP20434CGRST	4	OH/UG	H10	1Ø/3W	4	None	3/8"-16 UNC stud #6-350KCMIL & #10-1/0	(3) #6-350KCMIL (2) #10-1/0	29 1/4"	37 1/2"	5 1/8"	Fig. 3
78205141632	VENMP20435CGRST	5	OH/UG	H10	1Ø/3W	4	None	3/8"-16 UNC stud #6-350KCMIL & #10-1/0	(2) #6-350KCMIL (1) #10-1/0	41 1/4"	37 1/2"	5 1/8"	Fig. 4
78205141545	VENMP20436CGRST	6	OH/UG	H10	1Ø/3W	4	None	3/8"-16 UNC stud #6-350KCMIL & #10-1/0	(1) #6-350KCMIL --	41 1/4"	37 1/2"	5 1/8"	Fig. 5

Data subject to change without notice. Consult local utility for area acceptance. All dimensions are in inches.

Load side (all units) wiring sizes will depend on breaker that is installed, neutral size ranges are shown in the table

Multiple Metering, Vertical Gang - Non Lever Bypass

125 Amp & 200 Amp Condo Pak with Main Breaker Provisions - 600 VAC



Knockouts - Conduit Sizes

- 1W = 1/4" dia.
- 1Z = 7/16" dia.
- 2A = 3/8" dia. - 1/2"
- 4F = 2" - 1 1/2" - 1 1/4" - 1"
- 4H = 3" - 2 1/2" - 2" - 1 1/2"
- HH = H Hub Opening (Large)

Data subject to change without notice. Consult local utility for area acceptance. All dimensions are in inches.

Multiple Metering, Vertical Gang - Lever Bypass

200 Amp Condo Pak with Main Breaker Provisions - 600 VAC



VENMP20434CGRST5K9
shown open & closed



Application

- 2 - 6 meter position
- Designed for watt hour meters that meet ANSI C12.10
- Overhead or underground feed
- Surface mount

Construction

- Ringless cover
- Type 3R construction
- 14 Ga. & 16 Ga. galvaneal/galvanized steel
- Includes 5th jaw at nine (9) o'clock, may be relocated to six (6) o'clock

Standards

- UL 67 listed
- Complies with ANSI C12.7

Finish

- ANSI 61 gray painted finish

Accessories

- Replacement sockets
- AW & H-base hub assemblies
- Lug kit
- Closing plates
- Touch-up paint

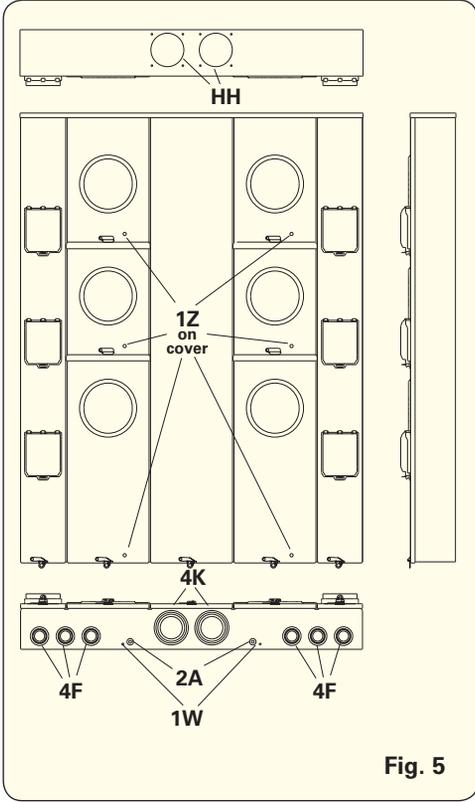
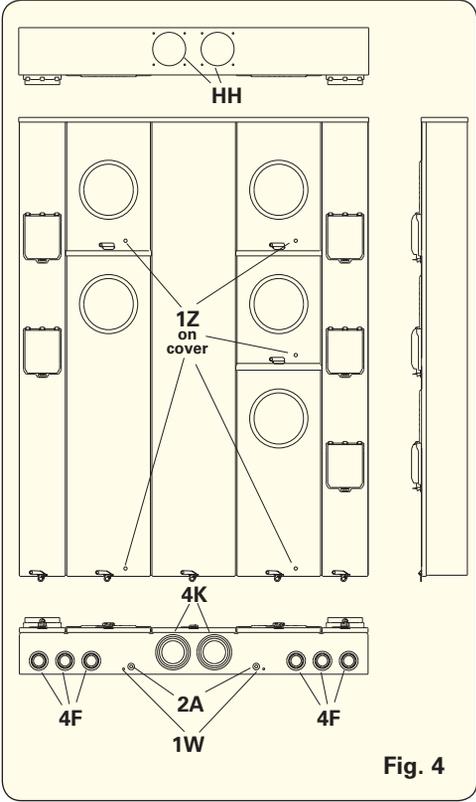
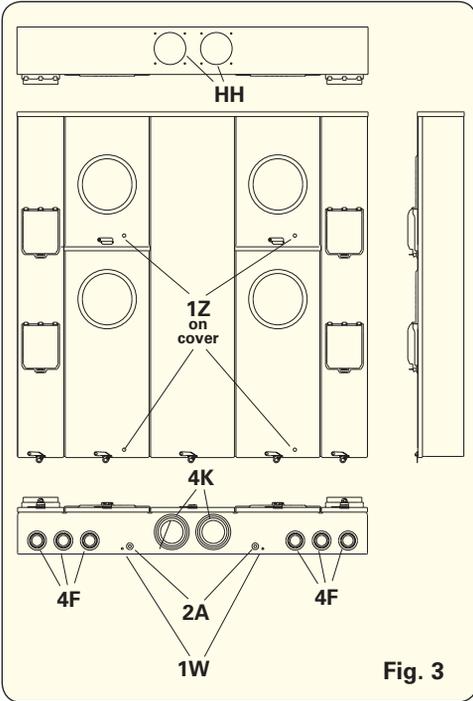
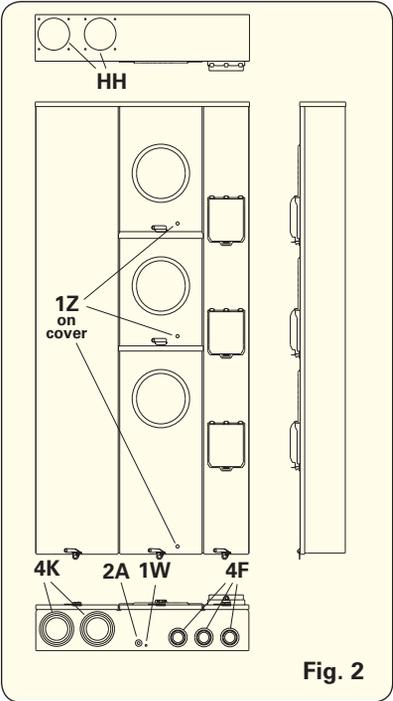
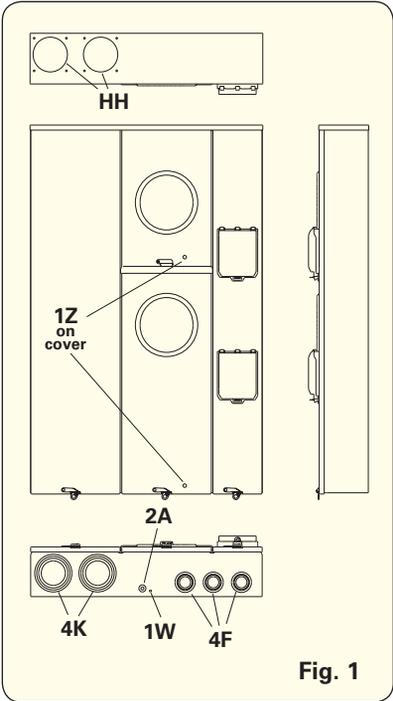
Part/UPC Number	Catalog Number	Gang	Service	Top Prov.	Service Type	No. of Terminals	Bypass	Conductors Line/Load	Ground Prov. (Qty)	Overall Dimensions			Knockout Layout
										Height	Width	Depth	
200 Amp Continuous Per Position, 400 Amp Max. Overall Rating, 2-Pole 200 Amp Plug-In Provisions - Left Feed (AIC Rated per Table RL8 on page 42)													
78205141433	VELMP20432LGRST5K9	2	OH/UG	H10 (2)	1Ø/3W	5	Lever Bypass	3/8"-16 UNC stud #6-350KCMIL & #10-1/0	(1) #6-350KCMIL (1) #10-1/0	45 1/4"	29"	7 5/8"	Fig. 1
78205141434	VELMP20433LGRST5K9	3	OH/UG	H10 (2)	1Ø/3W	5	Lever Bypass	3/8"-16 UNC stud #6-350KCMIL & #10-1/0	(1) #6-350KCMIL --	60 1/4"	28 7/8"	7 5/8"	Fig. 2
200 Amp Continuous Per Position, 640 Amp Continuous Overall Rating, 2-Pole 200 Amp Plug-In Provisions - Center Feed (AIC Rated per Table RL8 on page 42)													
78205141435	VELMP20434CGRST5K9	4	OH/UG	H10 (2)	1Ø/3W	5	Lever Bypass	3/8"-16 UNC stud #6-350KCMIL & #10-1/0	(1) #6-350KCMIL (2) #10-1/0	45"	46 1/2"	7 5/8"	Fig. 3
78205141436	VELMP20435CGRST5K9	5	OH/UG	H10 (2)	1Ø/3W	5	Lever Bypass	3/8"-16 UNC stud #6-350KCMIL & #10-1/0	(1) #6-350KCMIL (1) #10-1/0	60 1/4"	46 1/2"	7 5/8"	Fig. 4
78205141546	VELMP20436CGRST5K9	6	OH/UG	H10 (2)	1Ø/3W	5	Lever Bypass	3/8"-16 UNC stud #6-350KCMIL & #10-1/0	(1) #6-350KCMIL --	60 1/4"	46 1/2"	7 5/8"	Fig. 5

Load side (all units) wiring sizes will depend on breaker that is installed, neutral size ranges are shown in table.

Data subject to change without notice. Consult local utility for area acceptance. All dimensions are in inches.

Multiple Metering, Vertical Gang - Lever Bypass

200 Amp Condo Pak with Main Breaker Provisions - 600 VAC



Knockouts - Conduit Sizes

- 1W = 1/4" dia.
- 1Z = 7/16" dia.
- 2A = 3/8" dia. - 1/2"
- 4F = 2" - 1 1/2" - 1 1/4" - 1"
- 4K = 4" - 3 1/2" - 3" - 2 1/2"
- HH = H Hub Opening (Large)

Multiple Metering Vert.

Data subject to change without notice. Consult local utility for area acceptance. All dimensions are in inches.