



HEN10433LGR1F (closed)



HEN10433LGR1F (open)

Application

- For multi-meter installations - 6 position maximum
- 225A and 400A main buss
- Receive ANSI C12.10 watt-hour meters
- Overhead & underground feed (see chart)
- Surface mount

Construction

- Ringless cover
- NEMA Type 3R
- ANSI 61 gray E-coat finish
- 16 ga. galvanized/galvaneal steel



Standards

- UL 414 Listed
- ANSI C12.7

Accessories

- AW Hub assemblies
- 5th jaw kits - 50365
- Horn bypass lug caps

Part/UPC Number	Catalog Number	# of Positions	Bus Amps	Amp Rating	Jaws	Service	Access	Phase & Neutral Conductors Line	Load
79903855214	HEN10432LGR1F	2	225	100	4	1Ø/3W	OH/UG	#6 - 350MCM	#14 - 2/0
79903855215	HEN10433LGR1F	3	225	100	4	1Ø/3W	OH/UG	#6 - 350MCM	#14 - 2/0
79903855216	HEN10434LGR1F	4	225	100	4	1Ø/3W	OH/UG	#6 - 350MCM	#14 - 2/0
79903855217	HEN10435LGR1F	5	400	100	4	1Ø/3W	OH/UG	#6 - 350MCM	#14 - 2/0
79903855218	HEN10436LGR1F	6	400	100	4	1Ø/3W	OH/UG	#6 - 350MCM	#14 - 2/0

Part/UPC Number	Catalog Number	Overall Dimensions Height	Overall Dimensions Width	Overall Dimensions Depth	Top Provision	Knockout Layout
79903855214	HEN10432LGR1F	18"	20 ¹ / ₂ "	4 ⁵ / ₈ "	(2) AW Hub, Cap	Fig. 1
79903855215	HEN10433LGR1F	18"	28 ³ / ₄ "	4 ⁵ / ₈ "	(2) AW Hub, Cap	Fig. 2
79903855216	HEN10434LGR1F	18"	37"	4 ⁵ / ₈ "	(2) AW Hub, Cap	Fig. 3
79903855217	HEN10435LGR1F	18"	49 ¹ / ₈ "	4 ⁵ / ₈ "	(2) AW Hub, Cap	Fig. 4
79903855218	HEN10436LGR1F	18"	57 ³ / ₈ "	4 ⁵ / ₈ "	(2) AW Hub, Cap	Fig. 5

Data subject to change without notice. Consult local utility for area acceptance. All dimensions are in inches.

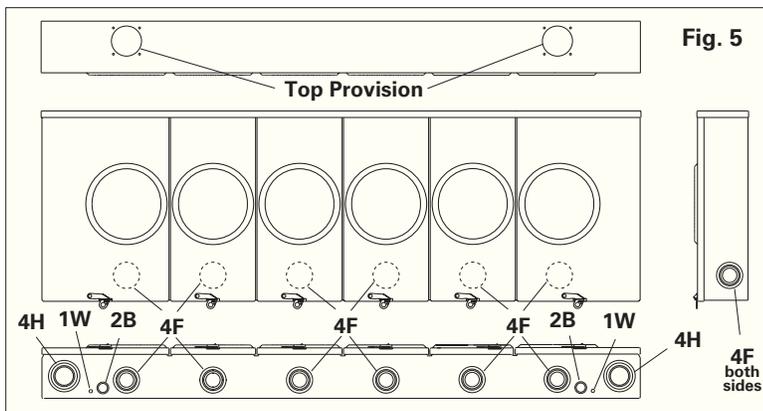
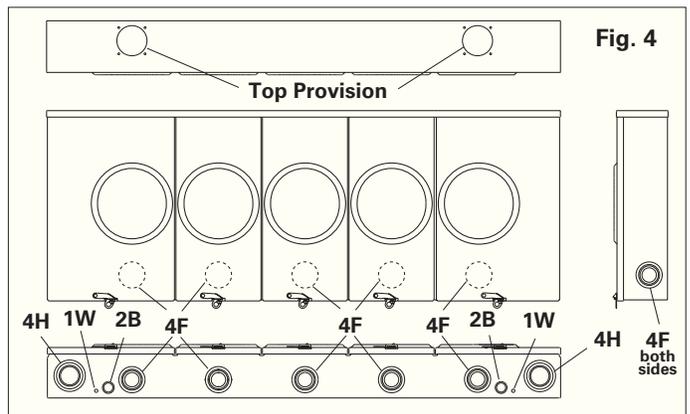
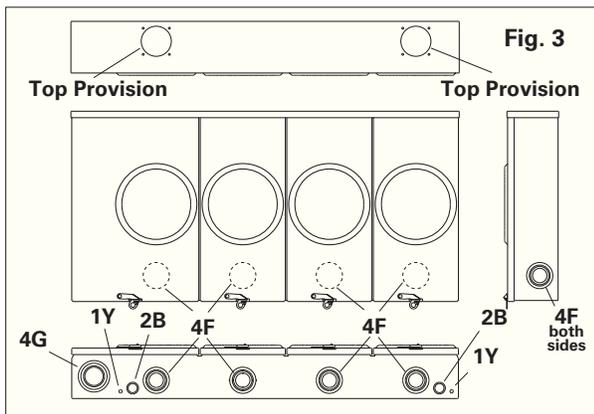
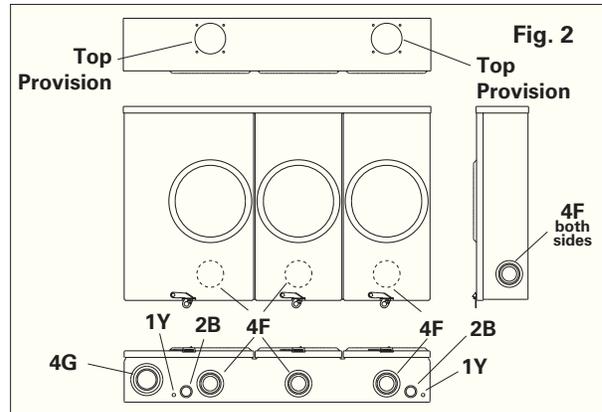
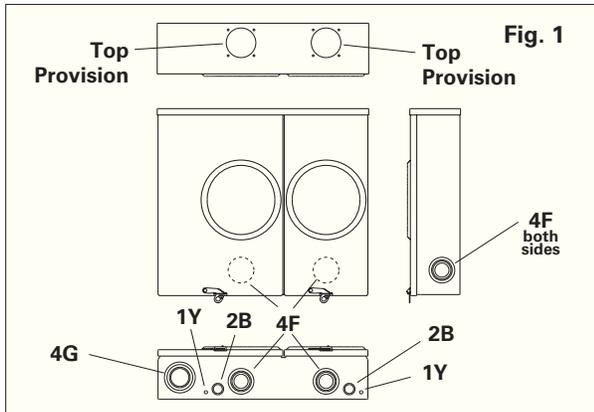
Group Meter Sockets - Without Bypass

100 Amp Horizontal

Knockouts - Conduit Sizes

1W = 1/4"
 1Y = 5/16"
 2B = 3/4" - 1/2"
 4F = 2" - 1 1/2" - 1 1/4" - 1"
 4G = 2 1/2" - 2" - 1 1/2" - 1 1/4"
 4H = 3" - 2 1/2" - 2" - 1 1/2"
 Top Provision = See Chart

Knockout Layouts



Data subject to change without notice. Consult local utility for area acceptance. All dimensions are in inches.



HEL20434CGR1F (closed)



HEL20434CGR1F (open)

Application

- For multi-meter installations - 6 position maximum
- 400A and 600A main buss
- Receive ANSI C12.10 watthour meters
- Overhead & underground feed (see chart)
- Surface mount

Construction

- Ringless cover
- NEMA Type 3R
- ANSI 61 gray E-coat finish
- 16 ga. galvanized/galvaneal steel
- 6 o'clock/9 o'clock positionable 5th jaw



Standards

- UL 414 Listed
- ANSI C12.7

Accessories

- AW & H hub assemblies
- 5th jaw kits - 50366

Part/UPC Number	Catalog Number	# of Positions	Bus Amps	Amp Rating	Jaws	Service Type	Bypass	Access
79902855234	HEL20432CGR1F	2	400	200	5	1Ø/3W	Lever	OH/UG
79902855235	HEL20433CGR1F	3	400	200	5	1Ø/3W	Lever	OH/UG
79902855236	HEL20434CGR1F	4	400	200	5	1Ø/3W	Lever	OH/UG
79902855237	HEL20435CGR1F	5	600	200	5	1Ø/3W	Lever	OH/UG
79902855239	HEL20436CGR1F	6	600	200	5	1Ø/3W	Lever	OH/UG
79902855222	HEL20732CGR1F	2	400	200	7	3Ø/4W	Lever	OH/UG
79902855223	HEL20733CGR1F	3	400	200	7	3Ø/4W	Lever	OH/UG
79902855224	HEL20734CGR1F	4	400	200	7	3Ø/4W	Lever	OH/UG
79902855225	HEL20735CGR1F	5	600	200	7	3Ø/4W	Lever	OH/UG
79902855226	HEL20736CGR1F	6	600	200	7	3Ø/4W	Lever	OH/UG

Part/UPC Number	Catalog Number	Phase & Line Conductors		Overall Dimensions			Top Provision	Knockout Layout
		Line	Load	Height	Width	Depth		
79902855234	HEL20432CGR1F	3/8" Studs	#6 - 350MCM	25"	30 ³ / ₄ "	6"	(2) H Hub, Cap	Fig. 1
79902855235	HEL20433CGR1F	3/8" Studs	#6 - 350MCM	25"	41"	6"	(2) H Hub, Cap	Fig. 2
79902855236	HEL20434CGR1F	3/8" Studs	#6 - 350MCM	25"	51 ¹ / ₄ "	6"	(2) H Hub, Cap	Fig. 3
79902855237	HEL20435CGR1F	3/8" Studs	#6 - 350MCM	25"	61 ¹ / ₂ "	6"	(2) H Hub, Cap	Fig. 4
79902855239	HEL20436CGR1F	3/8" Studs	#6 - 350MCM	25"	71 ³ / ₄ "	6"	(2) H Hub, Cap	Fig. 5
79902855222	HEL20732CGR1F	3/8" Studs	#6 - 350MCM	25"	30 ³ / ₄ "	6"	(2) H Hub, Cap	Fig. 1
79902855222	HEL20733CGR1F	3/8" Studs	#6 - 350MCM	25"	41"	6"	(2) H Hub, Cap	Fig. 2
79902855223	HEL20734CGR1F	3/8" Studs	#6 - 350MCM	25"	51 ¹ / ₄ "	6"	(2) H Hub, Cap	Fig. 3
79902855225	HEL20735CGR1F	3/8" Studs	#6 - 350MCM	25"	61 ¹ / ₂ "	6"	(2) H Hub, Cap	Fig. 4
79902855226	HEL20736CGR1F	3/8" Studs	#6 - 350MCM	25"	71 ³ / ₄ "	6"	(2) H Hub, Cap	Fig. 5

Data subject to change without notice. Consult local utility for area acceptance. All dimensions are in inches.

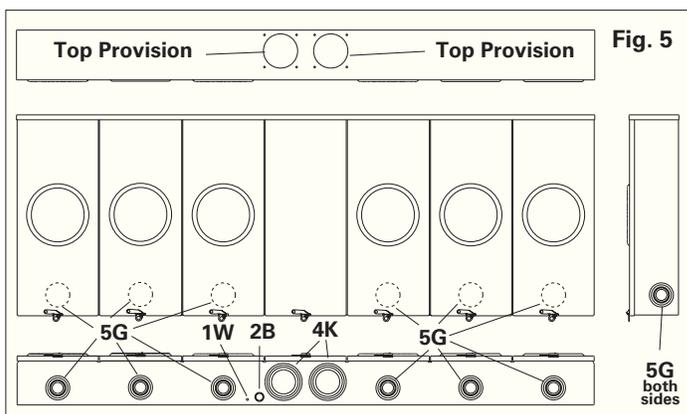
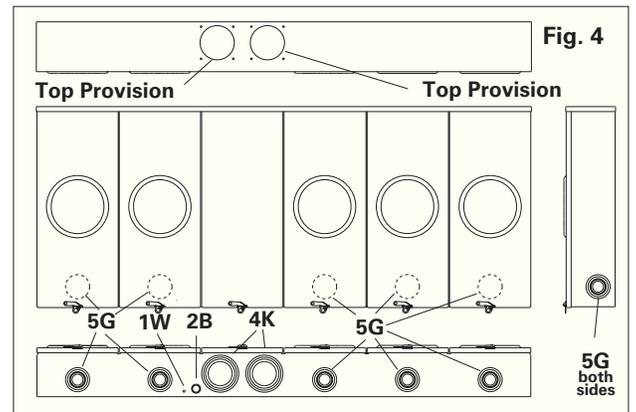
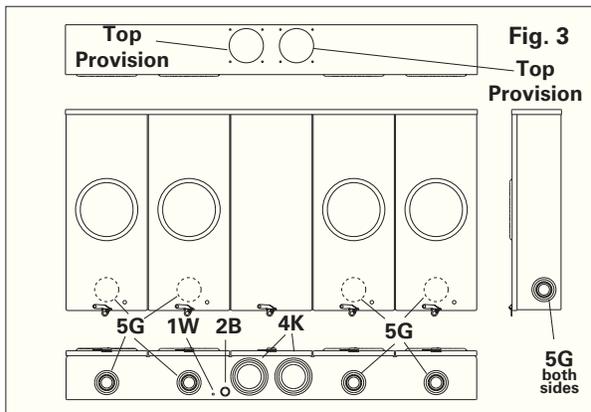
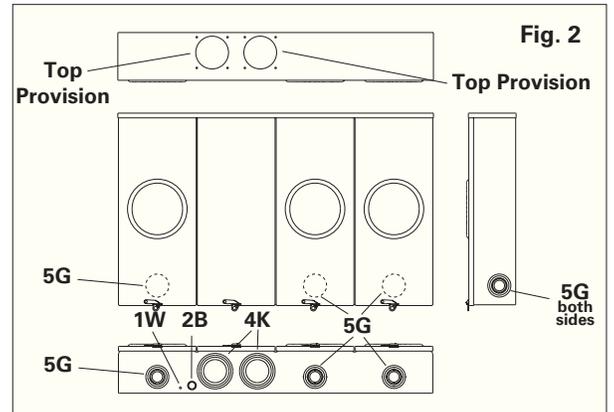
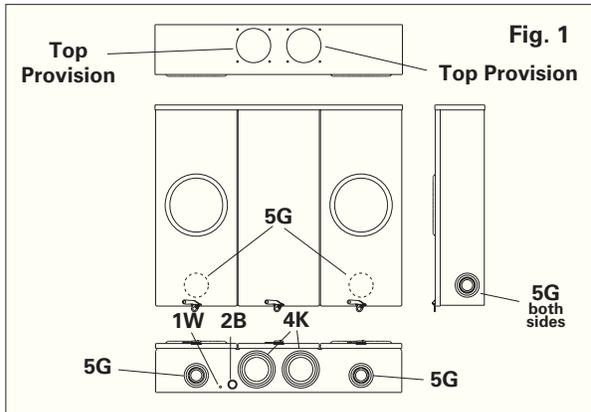
Group Meter Sockets - Lever Bypass

200 Amp Horizontal

Knockouts - Conduit Sizes

1W = 1/4" dia.
 2B = 3/4" - 1/2"
 4K = 4" - 3 1/2" - 3" - 2 1/2"
 5G = 2 1/2" - 2" - 1 1/2" - 1 1/4" - 1"
 Top Provision = See Chart)

Knockout Layouts



Data subject to change without notice. Consult local utility for area acceptance. All dimensions are in inches.



VENMP20435LGR1F (closed)



VENMP20435LGR1F (open)

Application

- For multi-meter installations - 6 position maximum
- 550A maximum main buss
- Receive ANSI C12.10 watthour meters
- Overhead & underground feed (see chart)
- Surface mount

Construction

- Ringless cover
- NEMA Type 3R
- ANSI 61 gray E-coat finish
- 16 ga. galvanized/galvaneal steel



Standards

- UL 414 Listed
- ANSI C12.7

Accessories

- AW Hub assemblies
- 5th jaw kits - 50365
- Horn bypass lug caps

Part/UPC Number	Catalog Number	# of Positions	Bus Amps	Amp Rating	Jaws	Service Type	Access	Provisions
79902855203	VENMP12432LGR1F	2	200	125	4	1Ø/3W	OH/UG	(2) 2P
79902855204	VENMP12433LGR1F	3	200	125	4	1Ø/3W	OH/UG	(3) 2P
79902855205	VENMP12434LGR1F	4	400	125	4	1Ø/3W	OH/UG	(4) 2P
79902855206	VENMP12435LGR1F	5	400	125	4	1Ø/3W	OH/UG	(5) 2P
79902855207	VENMP12436LGR1F	6	400	125	4	1Ø/3W	OH/UG	(6) 2P
79902855209	VENMP20432LGR1F	2	400	200	4	1Ø/3W	OH/UG	(2) 2P
79902855210	VENMP20433LGR1F	3	400	200	4	1Ø/3W	OH/UG	(3) 2P
79902855211	VENMP20434LGR1F	4	550	200	4	1Ø/3W	OH/UG	(4) 2P
79902855212	VENMP20435LGR1F	5	550	200	4	1Ø/3W	OH/UG	(5) 2P
79902855213	VENMP20436LGR1F	6	550	200	4	1Ø/3W	OH/UG	(6) 2P

Part/UPC Number	Catalog Number	Phase & Neutral Conductors Line	Load	Overall Dimensions			Top Provision	Knockout Layout
				Height	Width	Depth		
79902855203	VENMP12432LGR1F	3/8" Studs	MCB / #10 - 1/0	29 1/4"	22 3/4"	5"	H Hub, Cap	Fig. 1
79902855204	VENMP12433LGR1F	3/8" Studs	MCB / #10 - 1/0	41 1/4"	22 3/4"	5"	H Hub, Cap	Fig. 2
79902855205	VENMP12434LGR1F	3/8" Studs	MCB / #10 - 1/0	29 1/4"	37 1/2"	5"	H Hub, Cap	Fig. 3
79902855206	VENMP12435LGR1F	3/8" Studs	MCB / #10 - 1/0	41 1/4"	37 1/2"	5"	H Hub, Cap	Fig. 4
79902855207	VENMP12436LGR1F	3/8" Studs	MCB / #10 - 1/0	41 1/4"	37 1/2"	5"	H Hub, Cap	Fig. 5
79902855209	VENMP20432LGR1F	3/8" Studs	MCB / #6 - 350MCM	29 1/4"	22 3/4"	5"	H Hub, Cap	Fig. 1
79902855210	VENMP20433LGR1F	3/8" Studs	MCB / #6 - 350MCM	41 1/4"	22 3/4"	5"	H Hub, Cap	Fig. 2
79902855211	VENMP20434LGR1F	3/8" Studs	MCB / #6 - 350MCM	29 1/4"	37 1/2"	5"	H Hub, Cap	Fig. 3
79902855212	VENMP20435LGR1F	3/8" Studs	MCB / #6 - 350MCM	41 1/4"	37 1/2"	5"	H Hub, Cap	Fig. 4
79902855213	VENMP20436LGR1F	3/8" Studs	MCB / #6 - 350MCM	41 1/4"	37 1/2"	5"	H Hub, Cap	Fig. 5

Data subject to change without notice. Consult local utility for area acceptance. All dimensions are in inches.

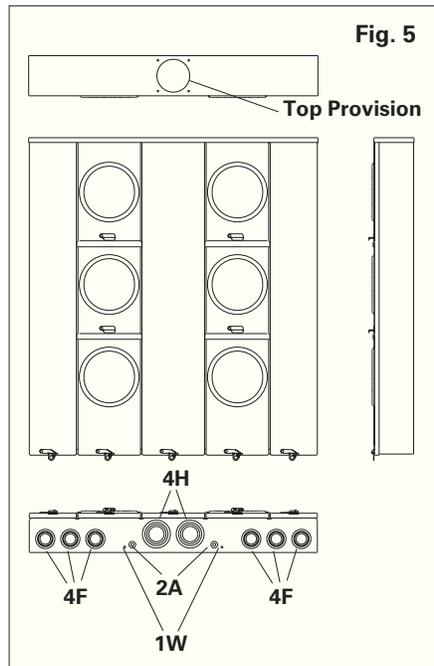
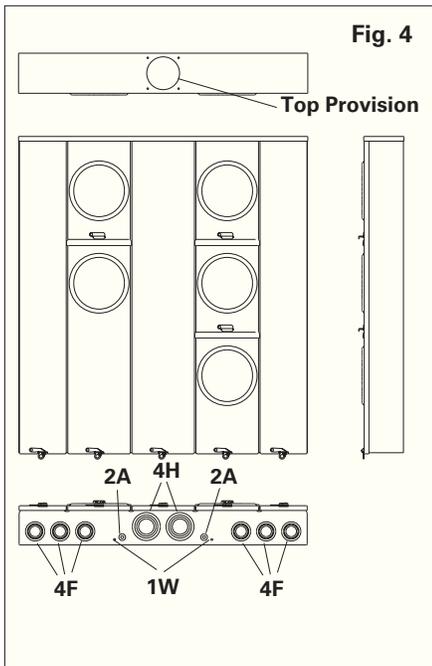
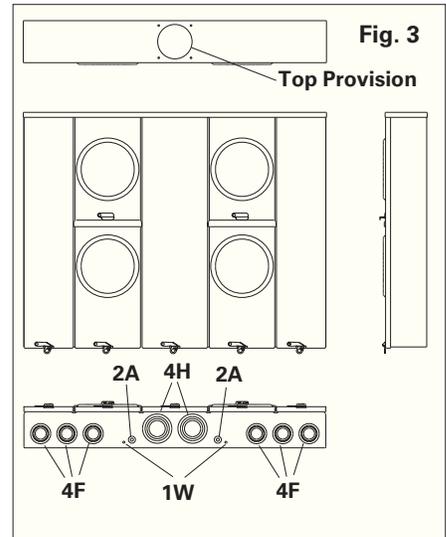
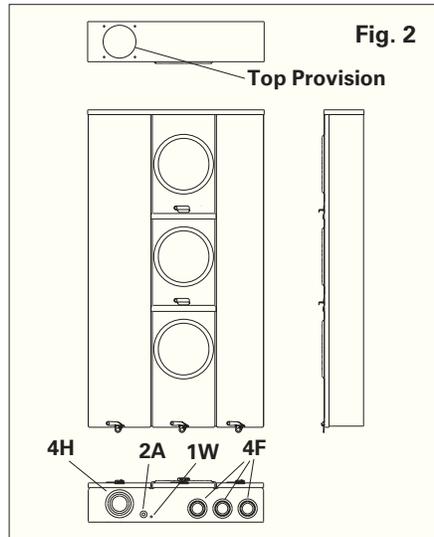
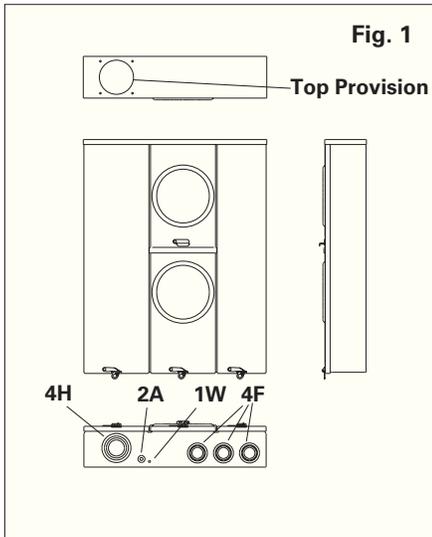
Group Meter Mains - Without Bypass

125 & 200 Amp

Knockouts - Conduit Sizes

1W = 1/4" dia.
 2A = 3/8" dia. - 1/2"
 4F = 2" - 1 1/2" - 1 1/4" - 1"
 4H = 3" - 2 1/2" - 2" - 1 1/2"
 Top Provision = See Chart)

Knockout Layouts



Data subject to change without notice. Consult local utility for area acceptance. All dimensions are in inches.