

Meter Mains - Without Bypass

125 & 200 Amp

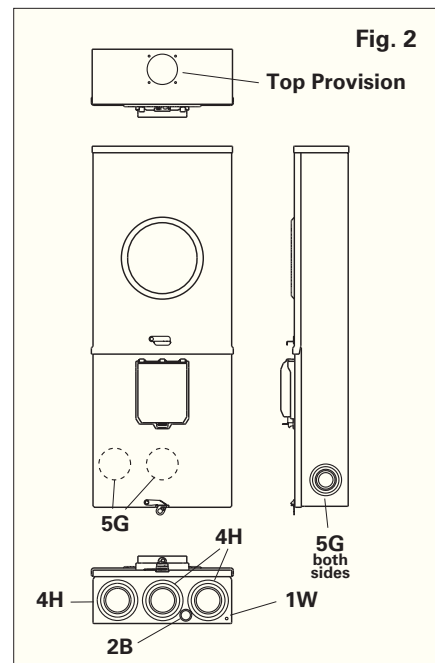
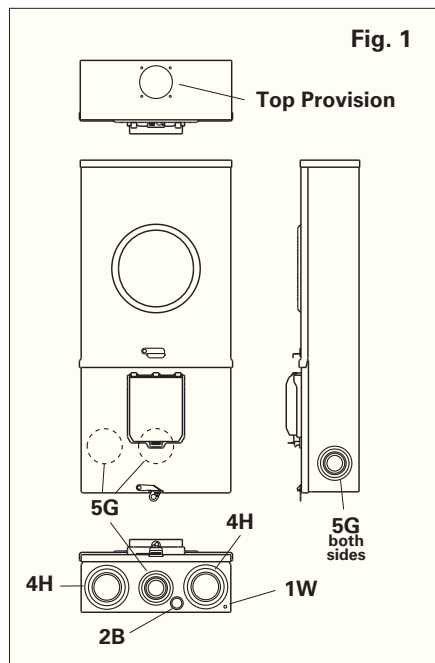
Main Breaker Data

Catalog Number	B-Line Breaker #	Eaton Breaker #	Amps	Voltage	Poles	AIC
ENCB10L25A3GR1F	CBLA047458	BR2100	100	240	2P	10K
ENCB15L25A3GR1F	CBLC019307	CC2150X	150	240	2P	10K
ENCB20L25A3GR1F	CBLC019301	CCV2200X	200	240	2P	10K

Knockouts - Conduit Sizes

1W = 1/4"
 2B = 3/4" - 1/2"
 4H = 3" - 2 1/2" - 2" - 1 1/2"
 5G = 2 1/2" - 2" - 1 1/2" - 1 1/4" - 1"
 Top Provision = See Chart

Knockout Layouts



Data subject to change without notice. Consult local utility for area acceptance. All dimensions are in inches.



ECCB10L27A3GR1F
(closed)



ECCB10L27A3GR1F
(open)

Application

- Single meter position
- Receive ANSI C12.10 watthour meters
- Surface mount

Construction

- Ringless cover
- NEMA Type 3R
- ANSI 61 gray E-coat finish



Standards

- UL 414 Listed
- ANSI C12.7

Accessories

- 5th Jaw Kit - 50366
- 7th Jaw Kit - 50368
- AW Hub

Part/UPC Number	Catalog Number	Amp Rating	Jaws	Service Type	Bypass	Access	Main Breaker		
							Voltage	AIC	Main
79903855176	ELCB20L25A3GR1F	200	5	1Ø/3W	Lever	OH/UG	120/240	10K	(1) 200A, 2P
79903855177	ELCB20L27A3GR1F	200	7	3Ø/4W	Lever	OH/UG	120/240	10K	(1) 200A, 3P
79903855178	ELCB32C25A5GR1F	320	5	1Ø/3W	Lever	OH/UG	120/240	10K	(2) 200A, 2P

Part/UPC Number	Catalog Number	Connections			Overall Dimensions			Top Provision	Knockout Layout
		Line	Load	Neutral	Height	Width	Depth		
79903855176	ELCB20L25A3GR1F	#6 - 350MCM	2/0 - 300MCM	#6 - 350MCM	34 ¹ / ₈ "	13"	5"	AW Hub, Cap	Fig. 1
79903855177	ELCB20L27A3GR1F	#6 - 350MCM	2/0 - 300MCM	#6 - 350MCM	34 ¹ / ₈ "	13"	5"	AW Hub, Cap	Fig. 1
79903855178	ELCB32C25A5GR1F	³ / ₈ " Studs	2/0 - 300MCM	³ / ₈ " Studs / #6 - 350MCM	34 ¹ / ₈ "	13"	5"	AW Hub, Cap	Fig. 2

Data subject to change without notice. Consult local utility for area acceptance. All dimensions are in inches.

Meter Mains - With Lever Bypass

125 - 320 Amp

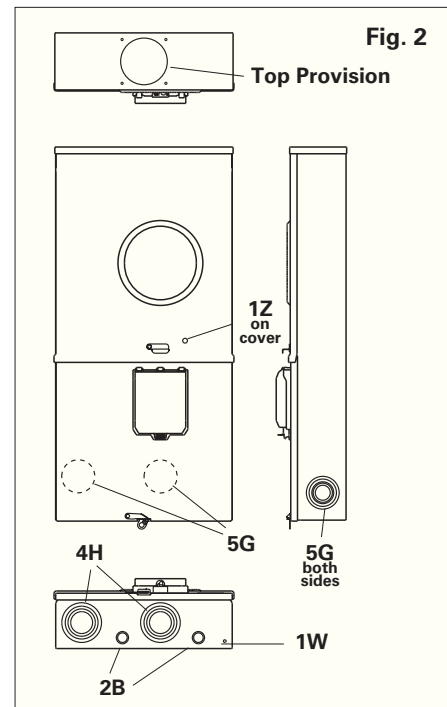
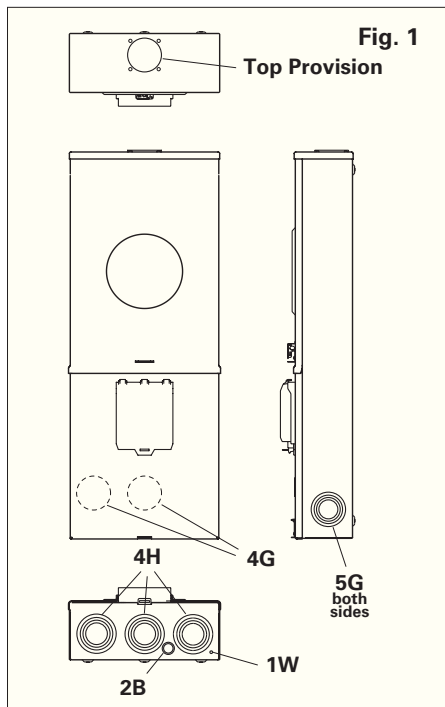
Main Breaker Data

Catalog Number	B-Line Breaker #	Eaton Breaker #	Amps	Voltage	Poles	AIC
ELCB20L25A3GR1F	CBLC019301	CCV2200X	200	240	2P	10K
ELCB20L27A3GR1F	CBLC019306	CC3200X	200	240	3P	10K
ELCB32C24A5GR1F	CBLA047485	CCV2200	200	240	2P	10K

Knockouts - Conduit Sizes

1W = 1/4"
 1Z = 7/16"
 2B = 3/4" - 1/2"
 4G = 2 1/2" - 2" - 1 1/2" - 1 1/4"
 4H = 3" - 2 1/2" - 2" - 1 1/2"
 5G = 2 1/2" - 2" - 1 1/2" - 1 1/4" - 1"
 Top Provision = See Chart

Knockout Layouts



Data subject to change without notice. Consult local utility for area acceptance. All dimensions are in inches.

Single Meter Sockets - With Test Switch

CT Rated



ST02133N1AL1F

FW02133N2GR1F

Application

- Single meter position
- Receive ANSI C12.10 watthour meters
- Surface mount

Construction

- Ring type & ringless
- NEMA Type 3R
- ANSI 61 gray E-coat finish



Standards

- UL 414 Listed
- ANSI C12.7

Accessories

- AW Hub

Part/UPC Number	Catalog Number	Cover	Amp Rating	Jaws	Service Type	Bypass	Access	Material	Utility †
79903857524	ST02063N1GR1F	Ringless	CT	6	1Ø/3W	7 Pole	OH/UG	Galvaneal Steel	FP&L
78205158009	ST02063N1AL1F	Ringless	CT	6	1Ø/3W	7 Pole	OH/UG	Aluinium	FP&L
79903857525	ST02133N1GR1F	Ringless	CT	13	3Ø/4W	10 Pole	OH/UG	Galvaneal Steel	FP&L
78205158008	ST02133N1AL1F	Ringless	CT	13	3Ø/4W	10 Pole	OH/UG	Aluinium	FP&L
79903851718	SW02083N1GR1F	Ringless	CT	8	1Ø/3W	7 Pole	OH/UG	Galvaneal Steel	DUKE
79903851719	SW02083N1AL1F	Ringless	CT	8	1Ø/2W	7 Pole	OH/UG	Aluinium	DUKE
79903851716	SW02133N1GR1F	Ringless	CT	13	3Ø/4W	10 Pole	OH/UG	Galvaneal Steel	DUKE
79903851717	SW02133N1AL1F	Ringless	CT	13	3Ø/4W	10 Pole	OH/UG	Aluinium	DUKE
78205158012	FW02063N2GR1F	Ring Type	CT	6	1Ø/3W	7 Pole	OH/UG	Galvaneal Steel	TECO
79903857526	FW02063N2AL1F	Ring Type	CT	6	1Ø/3W	7 Pole	OH/UG	Aluinium	TECO
78205158013	FW02133N2GR2F	Ring Type	CT	13	3Ø/4W	10 Pole	OH/UG	Galvaneal Steel	TECO
79903857527	FW02133N2AL2F	Ring Type	CT	13	3Ø/4W	10 Pole	OH/UG	Aluinium	TECO

Part/UPC Number	Catalog Number	Line	Connections Load	Ground	Overall Dimensions			Top Provision	Knockout Layout
					Height	Width	Depth		
79903857524	ST02063N1GR1F	#10-32 Stud	#10-32 Stud	(2) #14 - 2/0	20"	12"	4 ⁵ / ₈ "	AW Hub, Cap	Fig. 1
78205158009	ST02063N1AL1F	#10-32 Stud	#10-32 Stud	(2) #14 - 2/0	20"	12"	4 ⁵ / ₈ "	AW Hub, Cap	Fig. 1
79903857525	ST02133N1GR1F	#10-32 Stud	#10-32 Stud	(2) #14 - 2/0	20"	12"	4 ⁵ / ₈ "	AW Hub, Cap	Fig. 1
78205158008	ST02133N1AL1F	#10-32 Stud	#10-32 Stud	(2) #14 - 2/0	20"	12"	4 ⁵ / ₈ "	AW Hub, Cap	Fig. 1
79903851718	SW02083N1GR1F	#10-32 Stud	#10-32 Stud	(2) #14 - 2/0	20"	12"	4 ⁵ / ₈ "	AW Hub, Cap	Fig. 1
79903851719	SW02083N1AL1F	#10-32 Stud	#10-32 Stud	(2) #14 - 2/0	20"	12"	4 ⁵ / ₈ "	AW Hub, Cap	Fig. 1
79903851716	SW02133N1GR1F	#10-32 Stud	#10-32 Stud	(2) #14 - 2/0	20"	12"	4 ⁵ / ₈ "	AW Hub, Cap	Fig. 1
79903851717	SW02133N1AL1F	#10-32 Stud	#10-32 Stud	(2) #14 - 2/0	20"	12"	4 ⁵ / ₈ "	AW Hub, Cap	Fig. 1
78205158012	FW02063N2GR1F	#10-32 Stud	#10-32 Stud	(2) #14 - 2/0	20"	12"	4 ⁵ / ₈ "	AW Hub, Cap	Fig. 2
79903857526	FW02063N2AL1F	#10-32 Stud	#10-32 Stud	(2) #14 - 2/0	20"	12"	4 ⁵ / ₈ "	AW Hub, Cap	Fig. 2
78205158013	FW02133N2GR2F	#10-32 Stud	#10-32 Stud	(2) #14 - 2/0	20"	12"	4 ⁵ / ₈ "	AW Hub, Cap	Fig. 2
79903857527	FW02133N2AL2F	#10-32 Stud	#10-32 Stud	(2) #14 - 2/0	20"	12"	4 ⁵ / ₈ "	AW Hub, Cap	Fig. 2

† Utilities shown are brand names of their respective owners.

Data subject to change without notice. Consult local utility for area acceptance. All dimensions are in inches.