

Power distribution  
STE main breakers

CROUSE-HINDS  
SERIES

# STE main breakers for use in harsh & hazardous areas

Breakers from 50 to 225 Amps  
Easy access. Lower risk. Less down-time.

**EATON**

*Powering Business Worldwide*



# Engineered for **harsh & hazardous** Easy access, lower risk and less downtime.

## Introducing STE main breakers

One of the biggest challenges with enclosures located in hazardous areas is accessibility.

The Class I, Division 2 STE main breaker by Eaton's Crouse-Hinds Division utilizes an encapsulated breaker in a NEMA 4X stainless steel enclosure for easy access, increased safety and decreased maintenance costs in hazardous locations.





# STE main breakers

## Application

STE main breakers for hazardous areas provide overcurrent and short circuit protection for low voltage power, lighting and heat tracing applications in hazardous locations, such as refineries, chemical and petrochemical plants, mining, food processing, corrosive and industrial processing facilities.

## Certifications

- Class I, Division 2, Groups A, B, C, D
- Class II, Division 2, Groups F, G
- Class III
- Class I, Zone 2

## Conforms to

- CSA-C22.2 No. 0, CSA-C22.2 No. 5, CSA-C22.2 No. 14, CSA-C22.2 No. 25, CSA-C22.2 No 213
- UL50E, UL489, UL508, UL121201

## Electrical ratings

- 50-60A: Up to 480 VAC  
80-225A: Up to 480Y/277 VAC
- 3-pole
- 50, 60, 80, 100, 125, 150, 175, 200, 225 amps
- Auxiliary contacts and Shunt trip option
- Wire size (line & load side)
  - Size 1: up to 1/O AWG (55.5mm<sup>2</sup>)
  - Size 2: up to 4/O AWG (107.0mm<sup>2</sup>)
- Incoming/outgoing wire 75°C
- 25kAIC @ 480Y/277 V

## Environmental ratings\*

- Type 4X
- Temperature class: T4
- Ambient temperature range:  
50-200A: -20°C to +40°C  
225A: -20°C to +30°C

\*Certified -40°C solution with HT1 or HT2 options

## Materials

- Enclosure – 316L stainless steel
- External handle – nylon
- Mounting plate – copper-free aluminum
- Internal hardware – stainless steel
- Encapsulated breaker – polyamide

## Save time and money

- Factory sealed – no external conduit or cable seals required
- Easy to open and access with a single handle (versus up to 30+ bolts in a traditional enclosure)
- Lower maintenance costs
- Lightweight design and reduced footprint for easier installation with reduced labor costs
- Top and bottom gland plates for easy addition of entries



## Main breaker

- 25kAIC rating for maximum circuit protection
- Lightweight and compact

## Unparalleled safety

- Interlocked design secures the enclosure from being opened when the breaker is in ON position
- Lockout tagout provides ability to lock the breaker in OFF position
- Proven reliability from Eaton's Crouse-Hinds tamper-proof encapsulated breakers
- -40°C certified solution for extreme environments



Two standard sizes available



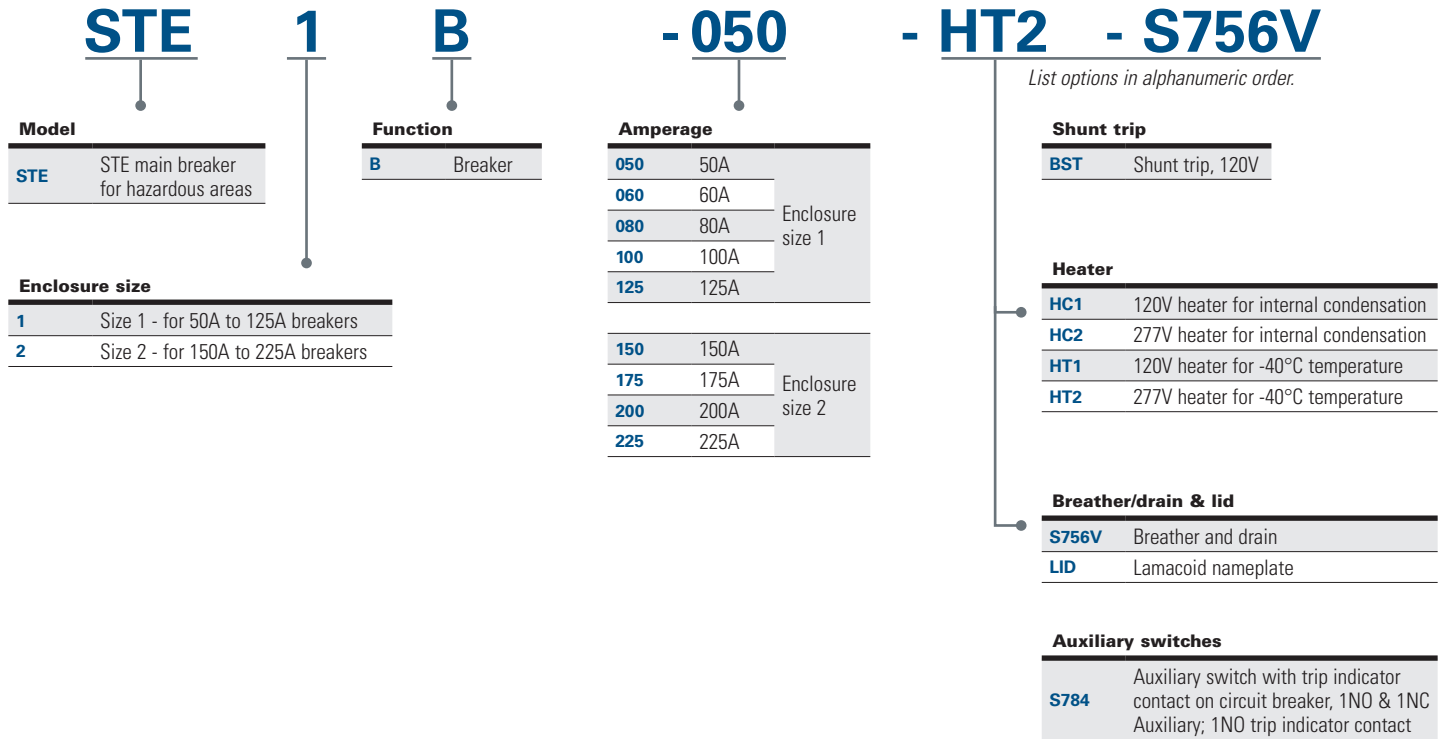
50A-225A main breaker

# Ordering information

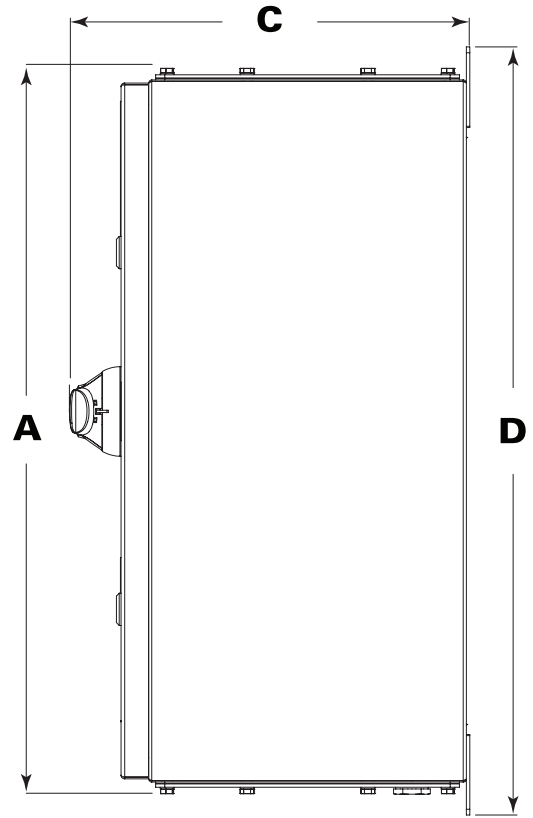
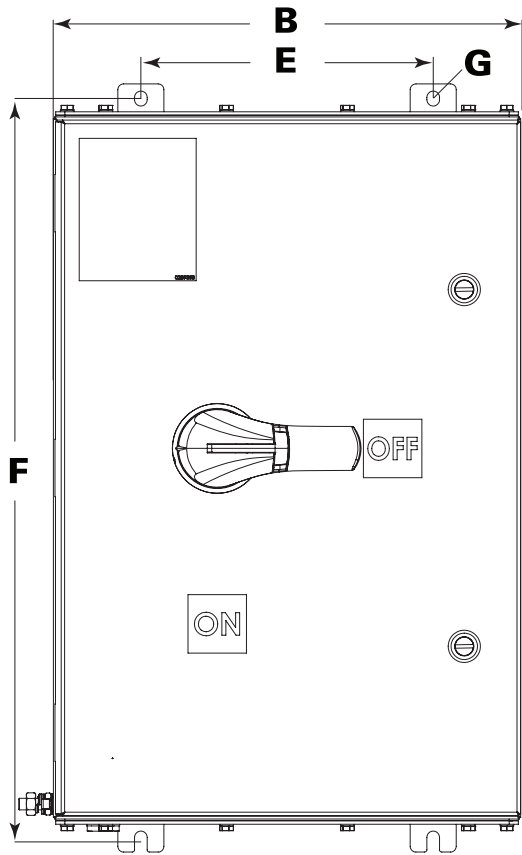
Part number example #1

## STE1B-050-HT2-S756V

STE main breaker, size 1 316 stainless steel enclosure, 50 Amp breaker, 277V heater for -40°C temperature, breather and drain



# Dimensions



## Size 1 & 2 enclosures: dimensions and weight

Enclosure size	Weight	Height x width x depth		
		A	B	C
SIZE 1	55 lbs	20.80	14.00	13.70
	25 kg	(528)	(356)	(348)
SIZE 2	64 lbs	24.80	16.00	13.70
	29 kg	(630)	(406)	(348)

Inches (mm)

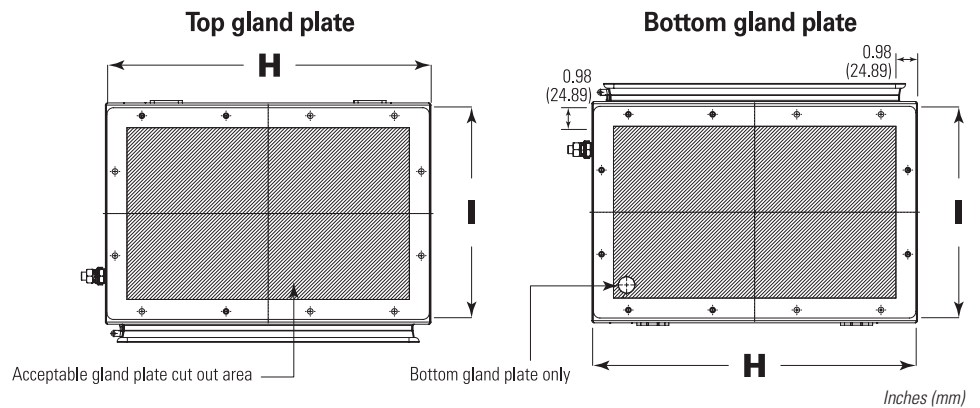
Mounting			
D	E	F	G
22.30	11.46	21.26	0.44
(566)	(291)	(616)	(11)
26.30	10.00	25.28	0.44
(668)	(254)	(642)	(11)

Inches (mm)

## Gland plate dimensions

gland plate	Width x depth	
	H	I
SIZE 1	13.85	10.40
	(352)	(264)
SIZE 2	15.85	10.40
	(402)	(264)

Inches (mm)







**U.S. (global headquarters):  
Eaton's Crouse-Hinds Division**

1201 Wolf Street  
Syracuse, NY 13208

(866) 764-5454  
FAX: (315) 477-5179  
FAX Orders Only:  
(866) 653-0640

[crousecustomerctr@eaton.com](mailto:crousecustomerctr@eaton.com)

**For more information:**

If further assistance is required, please contact an authorized Eaton Distributor, Sales Office, or Customer Service Department.

**Canada**

Toll Free: 800-265-0502  
FAX: (800) 263-9504  
FAX Orders only: (866) 653-0645

**Mexico/Latin America/Caribbean**

52-555-804-4000  
FAX: 52-555-804-4020  
[ventascentromex@eaton.com](mailto:ventascentromex@eaton.com)

**Europe (Germany)**

49 (0) 6271 806-500  
49 (0) 6271 806-476  
[info-ex@eaton.com](mailto:info-ex@eaton.com)

**Middle East**

971 4 8066100  
FAX: 971 4 8894813  
[chmesales@eaton.com](mailto:chmesales@eaton.com)

**Singapore**

65-6645-9888  
FAX: 65-6297-4819  
[chsi-sales@eaton.com](mailto:chsi-sales@eaton.com)

**China**

86-21-2899-3600  
FAX: 86-21-2899-4055  
[echsales@eaton.com](mailto:echsales@eaton.com)

**Korea**

82 2 6380 4032  
82-2-6380-4070  
[ECHKsales@eaton.com](mailto:ECHKsales@eaton.com)

**Australia**

1300-332-866  
FAX: 61-2-9693-5127  
[crousehindsanz@eaton.com](mailto:crousehindsanz@eaton.com)

**India**

91-124-4683888  
FAX: 91-124-4683899  
[cchindia@eaton.com](mailto:cchindia@eaton.com)

**Eaton**  
1000 Eaton Boulevard  
Cleveland, OH 44122  
United States  
[Eaton.com](http://Eaton.com)

© 2019 Eaton  
All Rights Reserved  
Printed in USA  
Publication No. 5431-1119  
November 2019

Eaton is a registered trademark.  
All other trademarks are property  
of their respective owners.