

GHG26 disconnect switches

For variable speed, three phase drives

Features:

- Explosion protected factory sealed motor circuit switches
- Innovative break-line in cover allows full wiring access, making installation quick and easy
- High impact enclosure is designed for excellent corrosion resistance and will not warp from hot or cold water
- Tongue-in-groove seal guarantees IP66 rating and eliminates possibility of accidental opening or leakage
- Lockable handle meets OSHA lockout/tagout requirements
- Molded-in-place mounting feet provide a water channel between wall and enclosure
- Large rotary handle provides easy gripping with gloved hands
- Captive cover screws prevent water exposure and possible corrosion



Materials:

- Enclosure - 10A: Impact-resistance thermoplastic; 20A – 180A: fiberglass-reinforced polyester
- Enclosure gasket – silicone
- Handle – impact-resistant thermoplastic
- Cover screws – stainless steel
- Conduit entries: zinc Myers hubs

Certifications & compliances:

- cCSAus Certified
- Class I, Division 2, Groups A, B, C, D
- Class I, Zones 1 and 2, AEx de IIC, T6
- Class II, Division 1, Groups E, F, G (CSA)
- Class II, Division 2, Groups F, G
- ATEX Approved - PTB
- Ex de IIC, T6, Zones 1 and 2A, IP66
- GOST-R and GOST-K
- CSA Standard: C22.2 No.14
- NEMA 4X
- IP66

	20 Amp	40 Amp	80 Amp
Pole	3 Pole	3 Pole	3 Pole
Rated voltage	690 V	690 V	690 V
Auxiliary contact	1 NO, making – lagging breaking – leading	1 NO, making – lagging breaking – leading	1 NO, making – lagging breaking – leading
Auxiliary connection	12 AWG	6 AWG	2 AWG
Connection	2 x 4 mm ²	2 x 16 mm ²	2 x 35 mm ²
Terminals	12 AWG	6 AWG	2 AWG
Conduit entries	2 x 3/4"	1 x 1" + 1 x 1/2"	1 x 1 1/2" + 1 x 1/2"
Part number	GHG 262 0014 L0001	GHG 263 0053 L0001	GHG 264 0024 L0001
Weight	1.6 kg/3.5 lbs.	2.3 kg/5.1 lbs.	3.5 kg/7.7 lbs.
Wall mounting plate	GHG 610 1953 R0118	GHG 610 1953 R0118	GHG6101953R0110

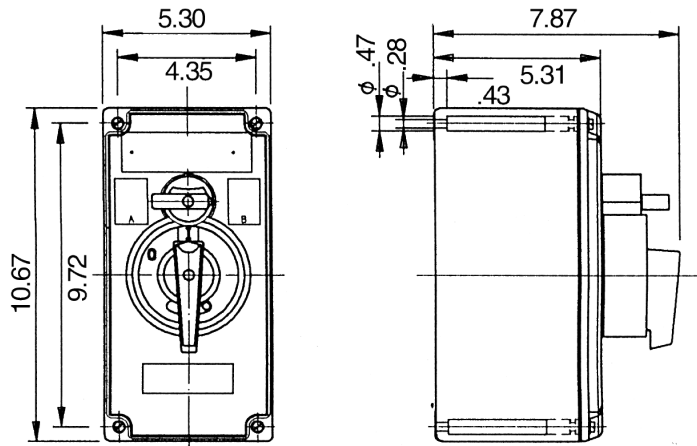
Switches can be mounted directly onto a wall. The optional wall mounting plate offers a more convenient method of mounting.



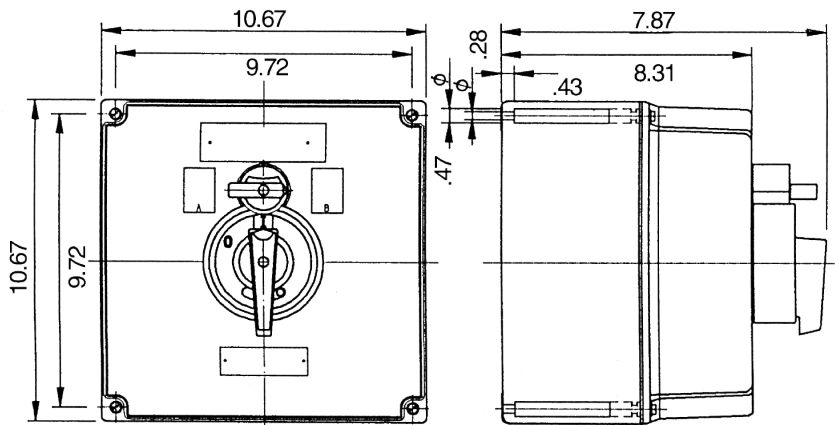
Powering Business Worldwide

Dimensions

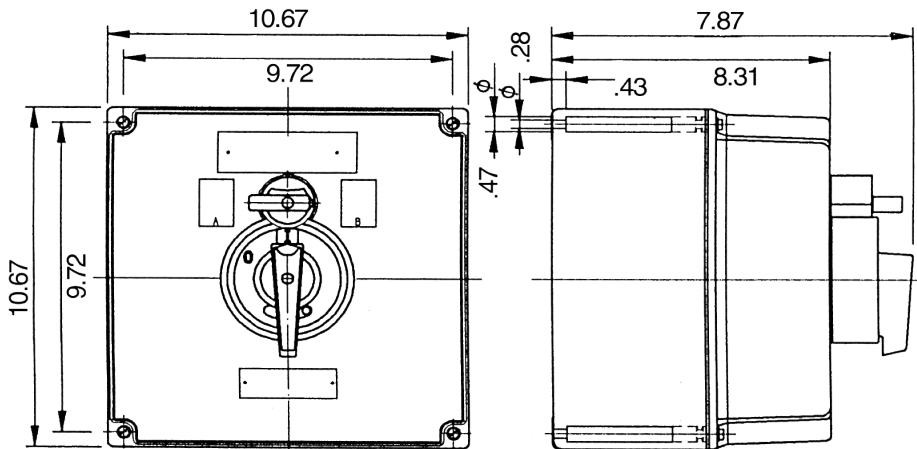
20 Amp, 3 phase, variable speed



40 Amp, 6 phase, variable speed



80 Amp, 3 phase, variable speed



Eaton
1000 Eaton Boulevard
Cleveland, OH 44122
United States
Eaton.com

Eaton's Crouse-Hinds
1201 Wolf Street
Syracuse, NY 13208
Crouse-Hinds.com

© 2019 Eaton
All Rights Reserved
Printed in USA
Publication No. 5435-1219
December 2019

Eaton is a registered trademark.
All other trademarks are property
of their respective owners.