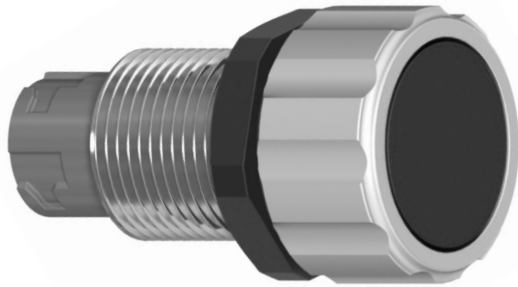


EMPX operators

Certified worldwide for harsh & hazardous areas



Globally certified for maximum application flexibility.

Whether you are building motor control or custom panels, you need operators that stand up to the harsh environment and perform with extreme reliability and durability.

With over 100 years of success in hazardous equipment manufacturing, Eaton's Crouse-Hinds is now introducing globally certified EMPX operators that are Type 4X / IP66W rated and readily available. The EMPX operators are the perfect solution for panel shops, skid builders and other OEM applications.

Operator types include

- Pushbuttons
- Reset buttons
- Pilot lights
- Illuminated pushbuttons
- Mushroom head pushbuttons
- Mushroom head push/pull buttons
- Selector switches

Application

Harsh and hazardous environments, including refineries, chemical and petrochemical plants, corrosive process facilities, food and beverage, marine and mining.

Certifications

NEC and CEC:

- Class I, Division 1 & 2, Groups B, C, D
- Class II, Division 1 & 2, Groups E, F, G
- Class III
- UL file #: E10593
- UL1203 Standard for Explosionproof and Dust-ignitionproof Electrical Equipment for use in Hazardous (Classified) Locations
- UL50 Enclosures for Electrical Equipment
- UL508 Standard for Industrial Control Equipment
- CSA C22.2 No. 25-1966 Enclosures for use in Class II, Groups E, F, G Hazardous Locations
- CSA C22.2 No. 30-M1986 Explosionproof Enclosures for use in Class I Hazardous Locations
- CSA C22.2 No. 94-M91 Special Purpose Enclosures Industrial Products
- CSA C22.2 No. 14-13 Industrial Control Equipment
- EN 60079-1 / IEC 60079-1
- EN 60079-31 / IEC 60079-31
- Ambient temperature range: -50°C to +60°C

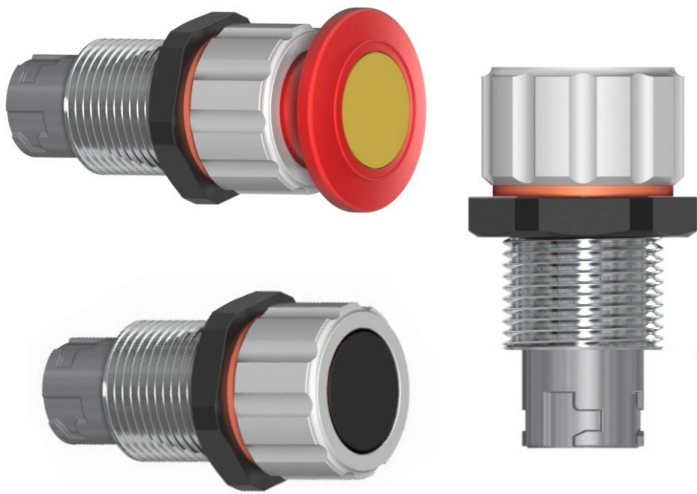
IECEx and ATEX:

- ⓧII 2G Ex db IIC Gb
- ⓧII 2D Ex tb IIIC Db
- Sira 18ATEX1236U; IECEx CSA 18.0027U
- IP66W (salt spray)
- Ambient temperature range: -50°C to +60°C



Powering Business Worldwide

Pushbuttons



Part number example – pushbutton

EMPXS519

EMPX big pushbutton, (1) NO & (1) NC contacts with black button, 25mm thread length

EMPX **S** **519**

Model

EMPX Globally certified operator

Pushbuttons

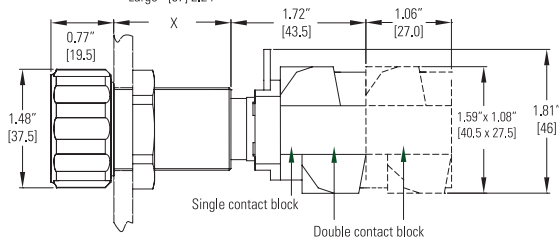
099	Reset pushbutton (with threaded shaft)
519	Big pushbutton, (1) NO & (1) NC contacts
529	Big pushbutton, (2) NO & (2) NC contacts
819	Mushroom head pushbutton, (1) NO & (1) NC contacts
829	Mushroom head pushbutton, (2) NO & (2) NC contacts
918	Mushroom head push & pull button, (1) NO & (1) NC contacts
928	Mushroom head push & pull button, (2) NO & (2) NC contacts

Thread length

S	Small – 25mm
M	Medium – 40mm
L	Large – 57mm

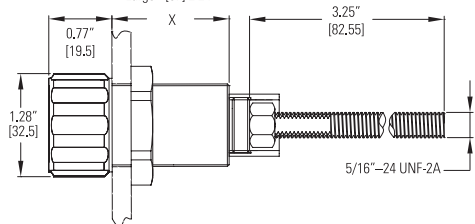
Big pushbutton

Dimension X
Small– [25] 0.94"
Med– [40] 1.57"
Large– [57] 2.24"



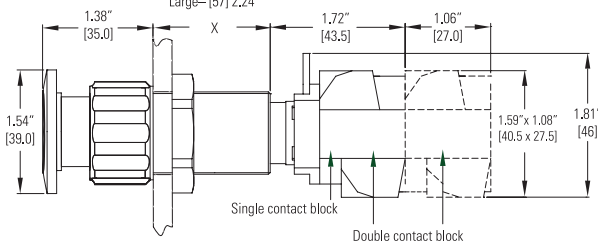
Reset pushbutton

Dimension X
Small– [25] 0.94"
Med– [40] 1.57"
Large– [57] 2.24"



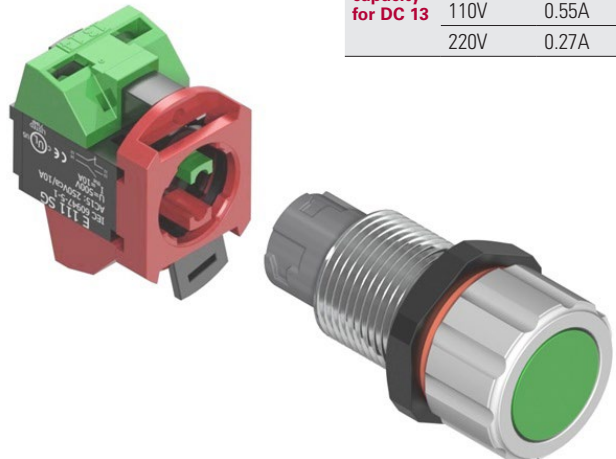
Mushroomhead pushbutton

Dimension X
Small– [25] 0.94"
Med– [40] 1.57"
Large– [57] 2.24"

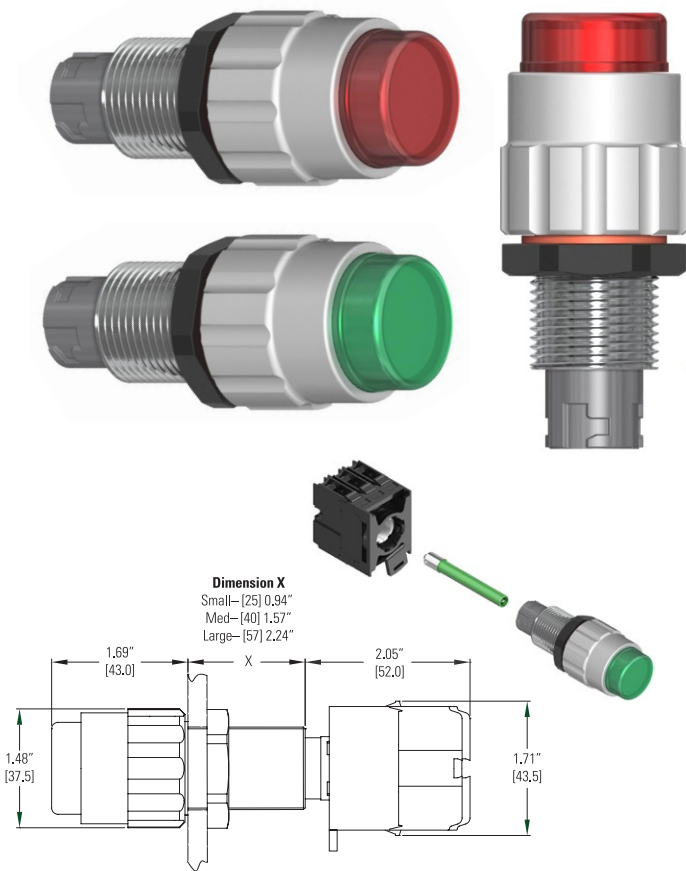


Voltage Current

Ratings	U _i 500V	I _{th} 10A
Breaking capacity for AC 15	220V	10A
	380V	7.5A
	500V	5A
Breaking capacity for DC 13	24V	2.75A
	60V	1.10A
	110V	0.55A
	220V	0.27A



Illuminated pushbutton



Part number example – illuminated pushbutton

EMPXS119-J1

EMPX illuminated pushbutton with red lens, (1) NO & (1) NC contacts, 25mm thread length, 240V

EMPX S 119 – J1 – T2

Model	
EMPX	Globally certified operator

Illuminated pushbuttons	
119	Illuminated pushbuttons, (1) NO & (1) NC contacts

Voltage	
BLANK	120V
S300	24VDC
T2	240V

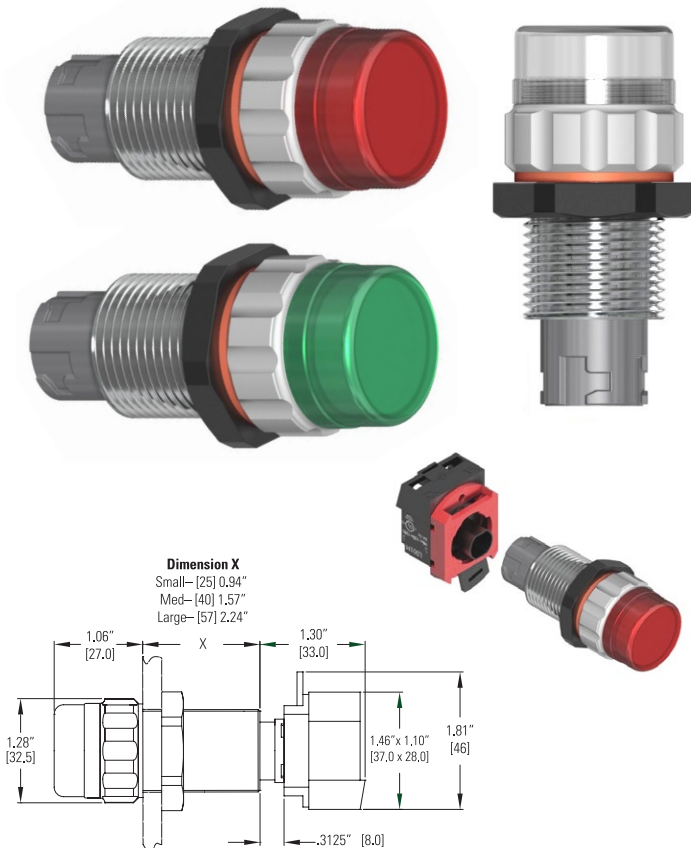
Thread length	
S	Small – 25mm
M	Medium – 40mm
L	Large – 57mm

Lens colors	
J1	Red
J3	Green
J6	Amber
J11	Blue



	Voltage	Current
Ratings	U_i 500V	I_{th} 6A
Contacts for AC 15	500V	5A
Contacts for DC 13	220V	0.27A

Pilot lights



Part number example – pilot light

EMPXS009-J1

EMPX pilot light with red lens, 25mm thread length, 240V

EMPX S 009 – J1 – T2

Model	
EMPX	Globally certified operator

Pilot lights	
009	Pilot lights

Voltage	
BLANK	120V
S300	24VDC
T2	240V
T4	480V

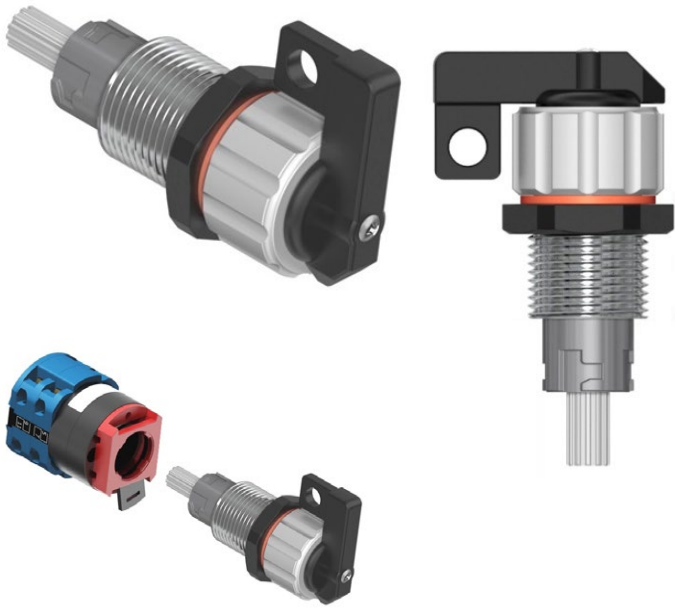
Thread length	
S	Small – 25mm
M	Medium – 40mm
L	Large – 57mm

Lens colors	
J1	Red
J3	Green
J6	Amber
J11	Blue



	Voltage	Current
Ratings	U_i 500V	I_{th} 6A
Contacts for AC 15	500V	5A
Contacts for DC 13	220V	0.27A

Switches



Part number example – 2 & 3 position switches

EMPXS049

2 position switch, (1) NO & (1) NC contacts, 25mm thread length

EMPX S

049

Model

EMPX

Globally certified operator

Thread length

S

Small – 25mm

M

Medium – 40mm

L

Large – 57mm

Switches

049	2 position switch, (1) NO & (1) NC contacts
059	2 position switch (2) NO & (2) NC, contacts
069	3 position switch (1) NO & (1) NC, contacts
079	079 = 3 position switch, (2) NO & (2) NC contacts

	Voltage	Current	Max. # contact chambers
Ratings	690V	20A	6

Breaking capacity for AC

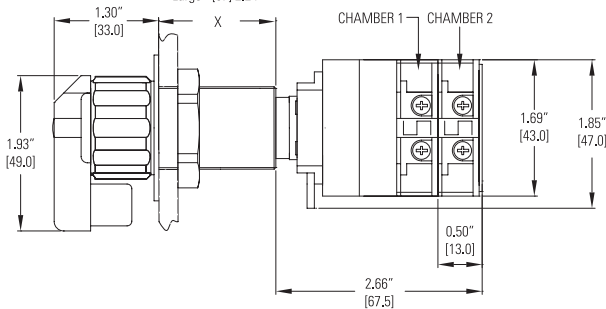
	Voltage	Current
AC-3	220-240V	3.0 kW
	380-440V	5.5kW
AC-15	220-240V	5A
	380-440V	4A
AC-22A	220-240V	20A
	380-440V	20A
AC-23	220-240V	3.7kW
	380-440V	7.5kW

Breaking capacity for DC

	24V	48V	60V	110V
Resistive loads T<1ms	20A	12A	4.5A	1A
Inductive loads T=50ms	12A	2A	1A	0.4A

Dimension X

Small – [25] 0.94"
Med – [40] 1.57"
Large – [57] 2.24"



Do you have a custom or modified product requirement?

For more information contact:

SYR-ETO-RFQ@eaton.com