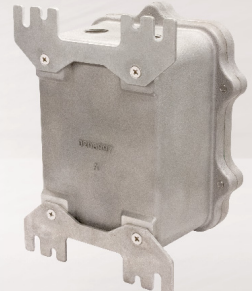
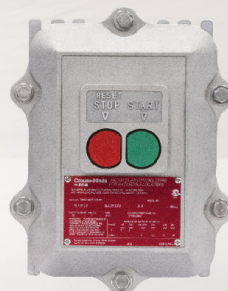
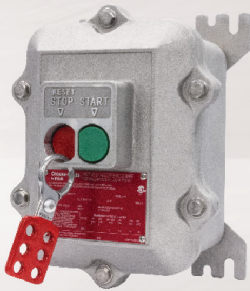


Control & apparatus
EMN starters

CROUSE-HINDS
SERIES

EMN starters

Manual pushbutton starters for IEC applications



EATON

Powering Business Worldwide

EMN starters

Manual pushbutton starters for IEC applications

Explosionproof, compact, across-the-line manual IEC starter for single and polyphase VAC motors.

Applications:

- Used on drilling rigs for mud agitators and shakers where flammable or explosive gases are present
- Used for fans and blowers, pumps, compressors and conveyors

Electrical ratings:

- IEC Cutler-Hammer Type XTPB manual starter
- 1 to 20 HP
- 2 pole, single phase AC up to 230 VAC
- 3 pole, three phase AC up to 600 VAC
- #18 - #10 wire size range

Certifications and compliances:

- Class I, Divisions 1 & 2, Groups C, D
- Class I, Zone 1, Group IIB
- Class II, Division 1 & 2, Groups E, F, G
- Class III
- UL1203; cUL C22.2 No. 30

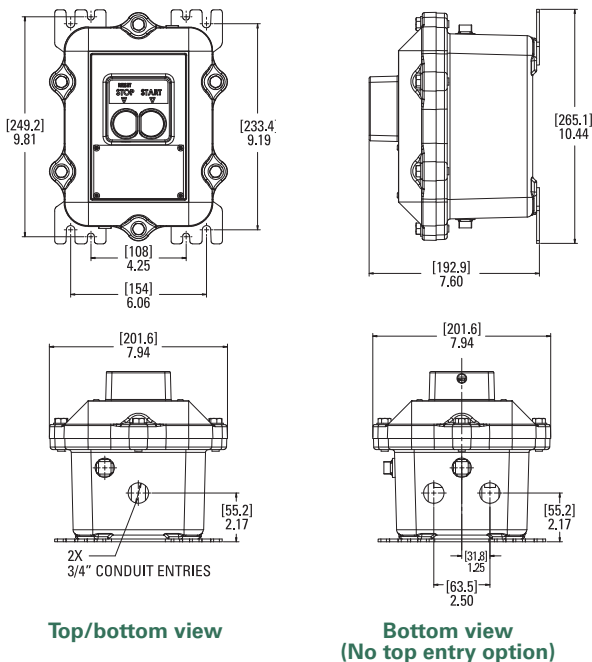
Environmental ratings:

- NEMA 3, 4, 7 (C, D) and 9 (E, F, G)
- Protected from hose-directed water
- NEMA 4X rated (when ordered with epoxy powder coat and gasket options)

Materials:

- Enclosure: copper-free aluminum
- Shaft, bearing and bolts: stainless steel
- O-ring gasket: Buna-N (optional)

Dimensions:



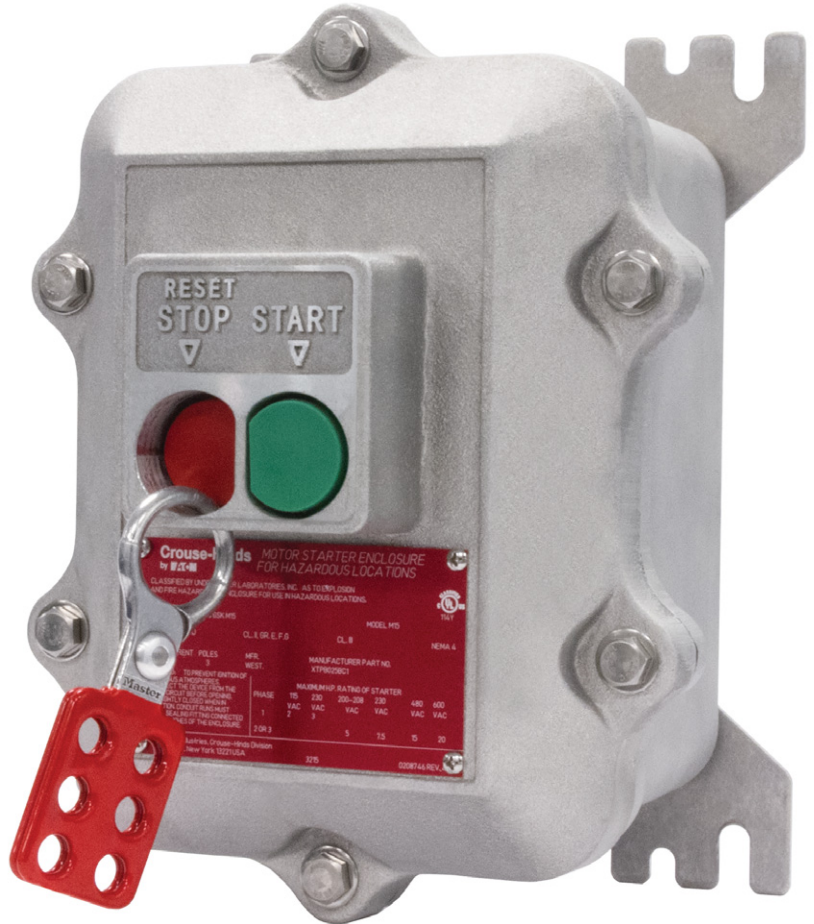
Features and benefits:

Moisture protection:

- Optional gasket protects from mud and hose-directed water
- Option for no top entries provides additional ingress protection

Safe:

- Lockout/tagout option allows for starter to be locked in "OFF" position



Versatile installation:

- Detachable mounting hardware
- Mounting footprint with multiple options for field flexibility

Durable, easy to use:

- Redesigned buttons allow for ease of use with gloves
- Enclosure designed to protect buttons from damage

Ordering information

EMN26

WP16

S198V

M15

Enclosure type

26 Pre-drilled for Cutler-Hammer starter

Starter type

w Cutler-Hammer starter

Options

S752 Gray epoxy powder coat, outside only

S753 Gray epoxy powder coat, inside & outside

S198V Breather and drain

NTE No top entry

GSK Gasket (for NEMA 4 rating)

Maximum horsepower

Suffix	Single phase		Three phase				Adjustment range FLA	Rated uninterrupted current
	115V	230V	200-208V	230V	480V	600V		
P16	–	–	*	*	*	*	0.1-0.16	0.16
P25	–	–	*	*	*	*	0.16-0.25	0.25
P40	–	–	*	*	*	*	0.25-0.4	0.4
P63	–	–	*	*	*	*	0.4-0.63	0.63
001	–	–	*	*	0.5	0.5	0.63-1	1
1P6	–	0.1	*	*	0.75	0.75	1-1.6	1.6
2P5	–	0.16	0.5	0.5	1	1.5	1.6-2.5	2.5
004	0.12	0.33	0.75	0.75	2	3	2.5-4	4
6P3	0.25	0.5	1	1	3	5	4-6.3	6.3
010	0.5	1.5	2	3	5	7.5	6.3-10	10
012	0.5	2	3	3	7.5	10	8-12	12
016	1	2	3	5	10	10	10-16	16
020	1.5	3	5	5	10	15	16-20	20
025	2	3	5	7.5	15	20	20-25	25

* In this range, calculate motor rating according to rated current. Specified values to NEC Table 430.250.

**U.S. (global headquarters):
Eaton's Crouse-Hinds Division**

1201 Wolf Street
Syracuse, NY 13208

(866) 764-5454
FAX: (315) 477-5179
FAX Orders Only:
(866) 653-0640

crousecustomerctr@eaton.com

For more information:

If further assistance is required, please contact an authorized Eaton Distributor, Sales Office, or Customer Service Department.

Canada

Toll Free: 800-265-0502
FAX: (800) 263-9504
FAX Orders only: (866) 653-0645

Mexico/Latin America/Caribbean

52-555-804-4000
FAX: 52-555-804-4020
ventascentromex@eaton.com

Europe (Germany)

49 (0) 6271 806-500
49 (0) 6271 806-476
sales.CCH.de@cooperindustries.com

Middle East

971 4 8066100
FAX: 971 4 8894813
chmesales@eaton.com

Singapore

65-6645-9888
FAX: 65-6297-4819
chsi-sales@cooperindustries.com

China

86-21-2899-3600
FAX: 86-21-2899-4055
cchsales@cooperindustries.com

Korea

82-2-3484-6783
82-2-3484-6778
CCHK-sales@cooperindustries.com

Australia

61-2-8787-2777
FAX: 61-2-9609-2342
CEASales@cooperindustries.com

India

91-124-4683888
FAX: 91-124-4683899
cchindia@eaton.com

Eaton
1000 Eaton Boulevard
Cleveland, OH 44122
United States
Eaton.com

© 2016 Eaton
All Rights Reserved
Printed in USA
Publication No. 5278-0616
June 2016

Eaton is a registered trademark.

All other trademarks are property of their respective owners.