

## EIC replacement parts

### Enclosure mounting

Part #	Description
EIC K1	Mounting plate, enclosure size A
EIC K2	Mounting plate, enclosure size B
EIC K3	Mounting plate, enclosure size C

### Circuit breaker and reset assemblies

Part #	Description
EIC K4	Size A circuit breaker assembly
EIC K5	Sizes B & C circuit breaker assembly
EIC K6	Size A starter reset button assembly
EIC K7	Size B starter reset button assembly
EIC K8	Size C starter reset button assembly
EBMX K26	Blank nameplates (non-UL) for component nameplate (all sizes)

### Auxiliary contacts and switches

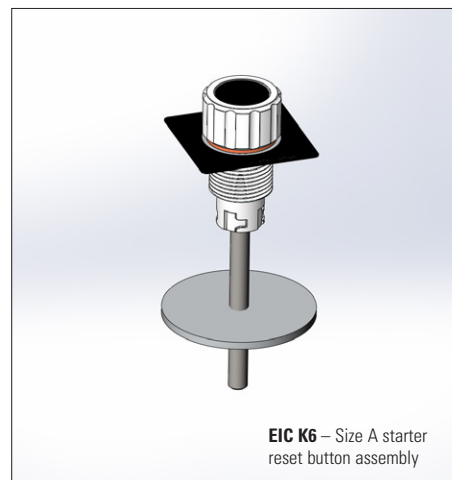
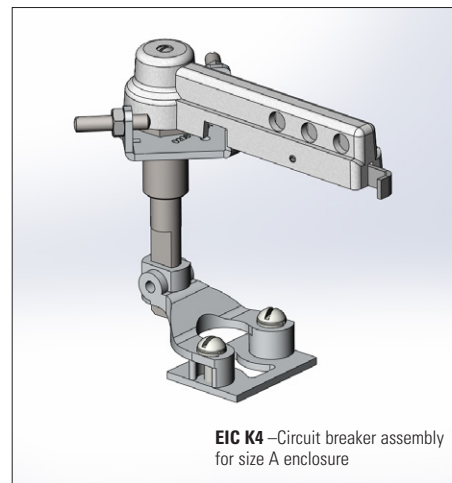
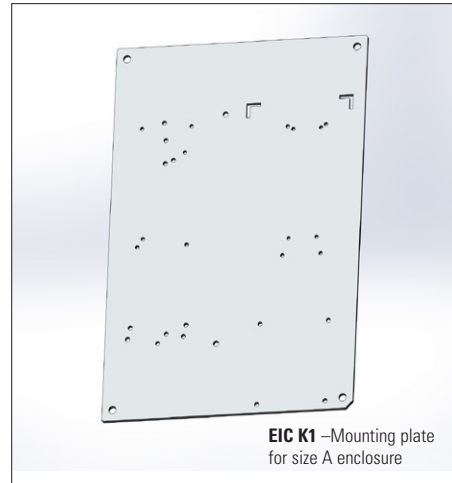
Part #	Description
AUX1A1BPK	Breaker auxiliary switch 1A & 1B
AUX2A2BPK	Breaker auxiliary switch 2A & 2B
SNT120CPK	Breaker shunt trip, 120V
C320KGS3	Auxiliary contact, freedom starter - NEMA 0, 1, 2 - 1NO, 1NC
C320KGT15	Auxiliary contact, freedom starter - NEMA 0, 1, 2 - 2NO, 2NC
C320KGS22	Auxiliary contact, freedom starter - NEMA 3, 4, 5 - 1NO, 1NC
C320KGS32	Auxiliary contact, freedom starter - NEMA 3 - 1NO 1NC base
C320KGS42	Auxiliary contact, freedom starter - NEMA 4, 5 - 1NO 1NC base

### Heaters

Part #	Description
EIC R11 KIT	Size A space heaters
EIC R22 KIT	Size B space heaters
EIC R44 KIT	Size C space heaters

### Breathers, drains, plugs and gaskets

Part #	Description
ECD1 N4B	Breather
ECD1 N4D	Drain
EBMX K29	Replacement gasket
EMP:0207959	Cover device plug
EMP ATEX CLOSURE PLUG 0208466 AL P-RUN	ATEX cover device plug



# EIC replacement parts – continued

## Bolt/hinge kits

Part #	Description
ECP1014 S391 14PCS BOLT KIT	Size A replacement cover bolt kit
ECP1218 S391 20PCS BOLT KIT	Size B replacement cover bolt kit
ECP1236 S391 32PCS BOLT KIT	Size C replacement cover bolt kit
ECP1014 ATEX 14PCS BOLT KIT	Size A ATEX replacement cover bolt kit
ECP1218 ATEX 20PCS BOLT KIT	Size B ATEX replacement cover bolt kit
ECP1236 ATEX 32PCS BOLT KIT	Size C ATEX replacement cover bolt kit
EJB/ECP STYE D HINGE KIT S391	Size A replacement hinge kit
EJB KIT1	Size B and C replacement hinge kit



## Pushbuttons, pilot lights and legend plates

Part #	Description
DSL05	“START” legend plate
DSL06	“STOP” legend plate
DSL07	“ON” legend plate
DSL08	“OFF” legend plate
DSL12	“RESET” legend plate
DSL29	“HAND-AUTO” legend plate
DSL39	“HAND-OFF-AUTO” legend plate
DSL48	“OFF-ON” legend plate
EMPXM009 J1	Red pilot light - medium (sizes A & B)
EMPXM009 J3	Green pilot light - medium (sizes A & B)
EMPXM019	Pushbutton - medium (sizes A & B)
EMPXM049	2 position selector switch - medium (sizes A & B)
EMPXM069	3 position selector switch - medium (sizes A & B)
EMPXL009 J1	Red pilot light - long (size C)
EMPXL009 J3	Green pilot light - long (size C)
EMPXL019	Pushbutton - long (size C)
EMPXL049	2 position selector switch - long (size C)
EMPXL069	3 position selector switch - long (size C)

