

27 / 27B SERIES RECEPTACLES AND SWITCHES

Installation & Wiring Information

IF LBL1557

SAVE THESE INSTRUCTIONS FOR FUTURE REFERENCE

CAUTION Read carefully before installing and wiring the receptacle. Any warning or special instructions should be closely followed. Check the ratings to insure suitability for the environment & supply. Must be installed in accordance with the NEC or CEC and all other applicable codes. All junction boxes must be properly grounded. These devices are not suitable for hazardous locations.

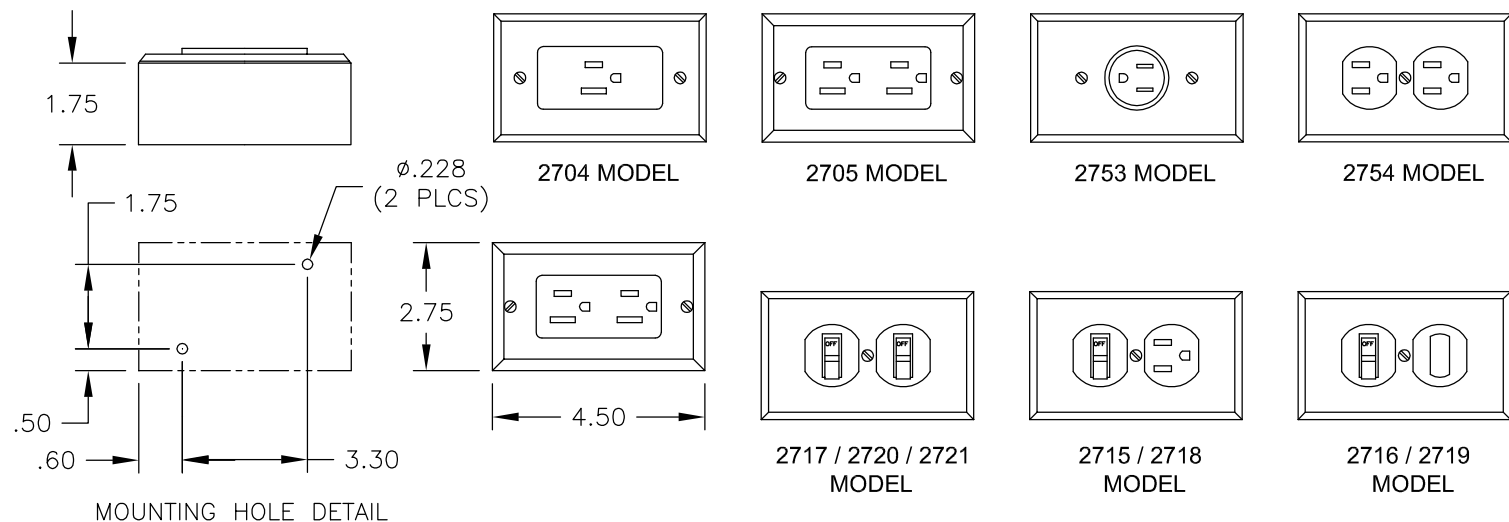
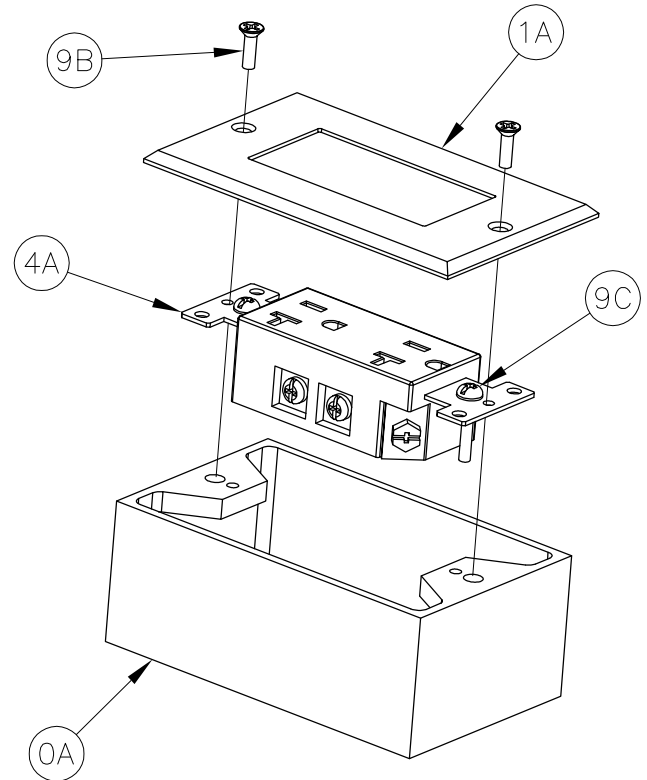
These junction boxes are not provided with cable entry holes. All holes added should be done by experienced personnel. These junction boxes can be supplied with up to 3/4" NPT through feed outlets. Keep tightly closed when in operation. Do not attempt to install this receptacle unless you are familiar with warnings, cautions and procedures outlined in this information sheet.

INSTALLATION & ELECTRICAL WIRING

WARNING Risk of electrical shock hazard, only qualified personnel should conduct this procedure!

These devices are for interior use only, do not use in wet and/or outdoor locations. Do not make electrical connections with the power ON. Use cu or cu clad wire only.

1. Locate and drill cable gland hole through the thickened area of the junction box (0A) per instructions furnished with cable gland (not provided). Clean all foreign material out of junction box.
2. Mount the junction box (0A) in its intended location using #10 screws (not provided). See illustration below for mounting dimensions.
3. Cables should be stripped back approx. 6" - 10" to allow individual wires to flex.
4. Install cable gland (not provided) to junction box (0A) per instructions furnished with cable gland.
5. Route cable in through cable gland and secure to cable jacket.
6. Connect L1 lead to terminal on device (4A).
7. Connect L2 lead to terminal on device (4A).
8. Connect Green or earth wire to green ground screw on device (4A).
9. Place device (4A) inside junction box (0A).
10. Mount device (4A) to junction box with screws (9C) provided.
11. Mount cover (1A) to junction box (0A) with screws (9B) provided.



All statements, technical information and recommendations contained herein are based on information and tests we believe to be reliable. The accuracy or completeness thereof are not guaranteed. In accordance with Crouse-Hinds "Terms and Conditions of Sale", and since conditions of use are outside our control, the purchaser should determine the suitability of the product for his intended use and assumes all risk and liability whatsoever in connection therewith.