

2482B SERIES

WATERTIGHT EMERGENCY DISCONNECT BREAKER

Installation & Wiring Information

COOPER Crouse-Hinds
PAULUHN

IF LBL1553

SAVE THESE INSTRUCTIONS FOR FUTURE REFERENCE

⚠ CAUTION Read carefully before installing and wiring the unit.

Any warning or special instructions should be closely followed. Check the ratings to insure suitability for the environment & supply. Must be installed in accordance with the NEC or CEC and all other applicable codes. All junction boxes must be properly grounded. These devices are not suitable for hazardous locations.

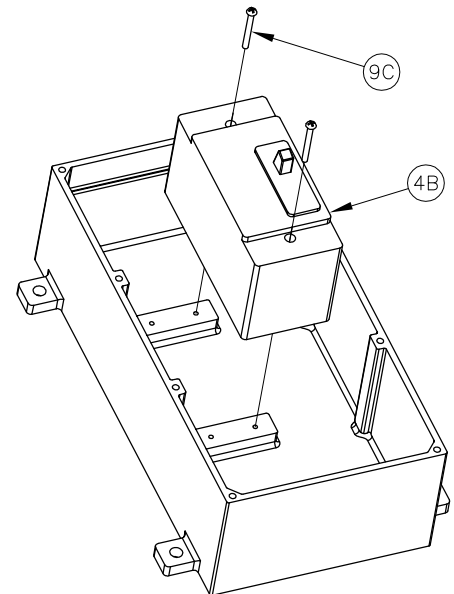
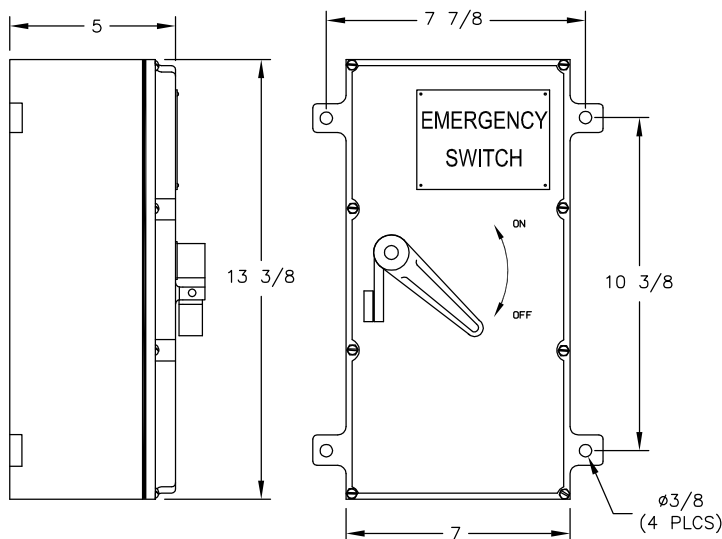
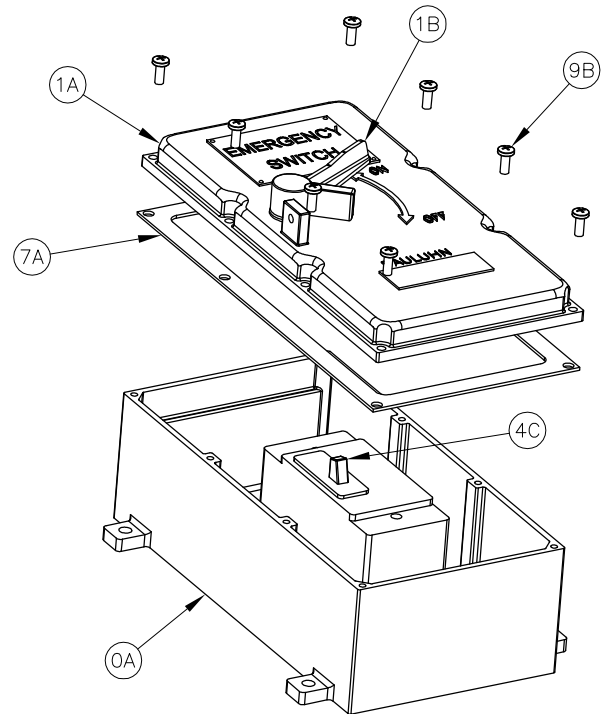
These devices are not provided with cable entry holes. All holes added should be done by experienced personnel. Keep tightly closed when in operation. Do not attempt to install this unit unless you are familiar with warnings, cautions and procedures outlined in this information sheet.

INSTALLATION & ELECTRICAL WIRING

⚠ WARNING Risk of electrical shock hazard, only qualified personnel should conduct this procedure!

Do not make electrical connections with the power ON. Apply lubricant to all screws and threads during installation, failure to use can result in voiding warranty.

1. Locate and drill cable gland hole through the junction box (0A) per instructions furnished with cable gland (not provided). Clean all foreign material out of junction box.
 2. Mount the junction box (0A) in its intended location using minimum 1/4" bolts (not provided). See illustration below for mounting dimensions.
 3. Cables should be stripped back approx. 6" - 10" to allow individual wires to flex.
 4. Install cable gland (not provided) to junction box (0A) per instructions furnished with cable gland.
 5. Route cable in through cable gland and secure seal on cable jacket.
- ⚠ CAUTION** See marking on cover for voltage and current ratings.
6. (2 Pole Breaker) - Connect both L1 leads to terminals on breaker (4B). Connect both L2 leads to terminals on breaker (4B).
 6. (3 Pole Breaker) - Connect both L1 leads to terminals on breaker (4B). Connect both L2 leads to terminals on breaker (4B). Connect both L3 leads to terminal on breaker (4B).
 7. Ground junction box (0B) to Green or earth wire.
 8. Place breaker (4B) inside housing (0A).
 9. Mount breaker (4B) with #8 screws (9C) provided.
 10. Slip gasket (7A) over cover assembly (1A) so it can be installed between the cover and junction box (0A).
 11. Rotate lever (1B) to engage cam to breaker switch (4C) in correct ON or OFF position.
 12. Mount cover (1A) to junction box (0A) with 1/4" bolts (9B) provided. Torque 1/4" bolts only enough to insure a good gasket seal (approx. 5 Ft*lbs).



All statements, technical information and recommendations contained herein are based on information and tests we believe to be reliable. The accuracy or completeness thereof are not guaranteed. In accordance with Crouse-Hinds "Terms and Conditions of Sale", and since conditions of use are outside our control, the purchaser should determine the suitability of the product for his intended use and assumes all risk and liability whatsoever in connection therewith.