

881 / 882 / 889 SERIES WATERTIGHT PILOT LIGHTS AND SWITCHES

Installation & Wiring Information

IF LBL1542

SAVE THESE INSTRUCTIONS FOR FUTURE REFERENCE

CAUTION Read carefully before installing and wiring the unit. Any warning or special instructions should be closely followed. Check the ratings to insure suitability for the environment & supply. Must be installed in accordance with the NEC or CEC and all other applicable codes. All junction boxes must be properly grounded. These devices are not suitable for hazardous locations.

These devices are not provided with cable entry holes. All holes added should be done by experienced personnel through the thickened areas of the junction box suitable for threading. Keep tightly closed when in operation. Do not attempt to install this unit unless you are familiar with warnings, cautions and procedures outlined in this information sheet.

INSTALLATION & ELECTRICAL WIRING

WARNING Risk of electrical shock hazard, only qualified personnel should conduct this procedure! Do not make electrical connections with the power ON. Use cu or cu clad wire only. The units provided with switches are rated 20 amps, 240 vac. Apply lubricant to all screws and threads during installation, failure to use can result in voiding warranty.

1. Locate and drill cable gland hole through the thickened area of the junction box (0A) per instructions furnished with cable gland (not provided). Clean all foreign material out of junction box.
2. Mount the junction box (0A) in its intended location using 1/4" bolts (not provided). See illustration below for mounting dimensions.
3. Cables should be stripped back approx. 6" - 10" to allow individual wires to flex.
4. Install cable glands (not provided) per instructions furnished with cable gland.
5. Route cable in through cable gland and secure seal on cable jacket.

ROTARY SWITCH:

6. Connect device to operate to rotary switch (4B). Black wire to screw on side of switch (4B). White wire to screw on other side of switch (4B). See wiring diagram.

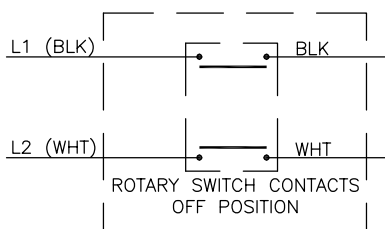
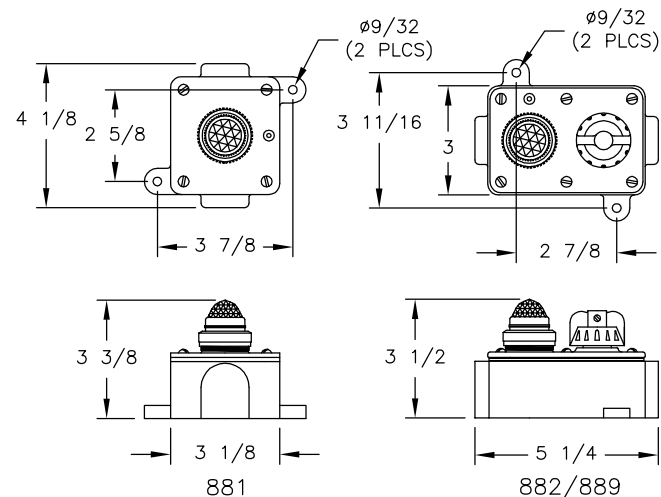
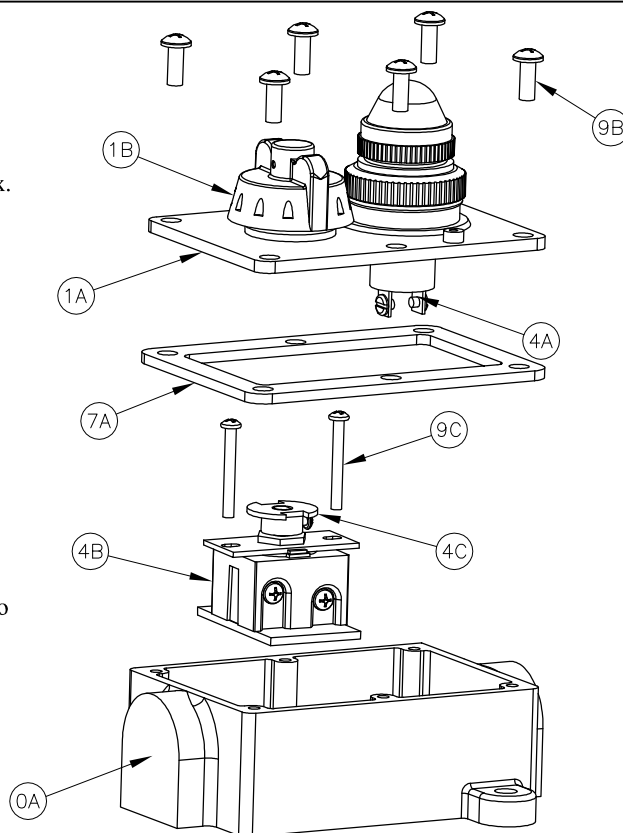
CAUTION Switch rated 240 vac max. !

7. Connect rotary switch (4B) to supply line. L1 (Hot) lead to black wire side of switch (4B). L2 (Neutral) lead to white wire side of switch (4B).
8. Mount rotary switch (4B) to the junction box (0A) with two #6 screws (9C) provided.

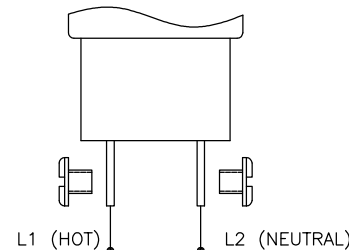
LIGHT:

CAUTION Light rated 120 vac max. (optional 12 vdc or 24 vdc)!

9. Connect light (4A) to supply line. L1 (Hot) lead to terminal. L2 (Neutral) lead to other terminal. See wiring diagram.
10. Slip gasket (7A) over cover (1A) so it can be installed between the cover and junction box (0A).
11. Mount cover (1A) with #10 screws (9B) provided. Making sure cam (4C) on rotary switch is align with knob (1B) on cover. Torque screws only enough to insure a good gasket seal (approx. 10-20 in.lbs).



SWITCH - WIRING DIAGRAM



LIGHT - WIRING DIAGRAM

All statements, technical information and recommendations contained herein are based on information and tests we believe to be reliable. The accuracy or completeness thereof are not guaranteed. In accordance with Crouse-Hinds "Terms and Conditions of Sale", and since conditions of use are outside our control, the purchaser should determine the suitability of the product for his intended use and assumes all risk and liability whatsoever in connection therewith.