

# 862 / 1869 / 1871 SERIES

## WATERTIGHT ROTARY SWITCH BOXES

### Installation & Wiring Information

**SAVE THESE INSTRUCTIONS FOR FUTURE REFERENCE**

**CAUTION** Read carefully before installing and wiring the receptacle. Any warning or special instructions should be closely followed. Check the ratings to insure suitability for the environment & supply. Must be installed in accordance with the NEC or CEC and all other applicable codes. All junction boxes must be properly grounded. These devices are not suitable for hazardous locations.

These devices are not provided with cable entry holes. All holes added should be done by experienced personnel through the thickened areas of the junction box suitable for threading. Keep tightly closed when in operation. Do not attempt to install this receptacle unless you are familiar with warnings, cautions and procedures outlined in this information sheet.

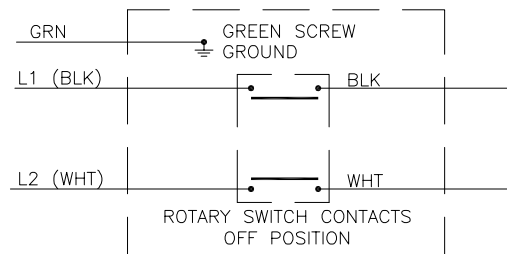
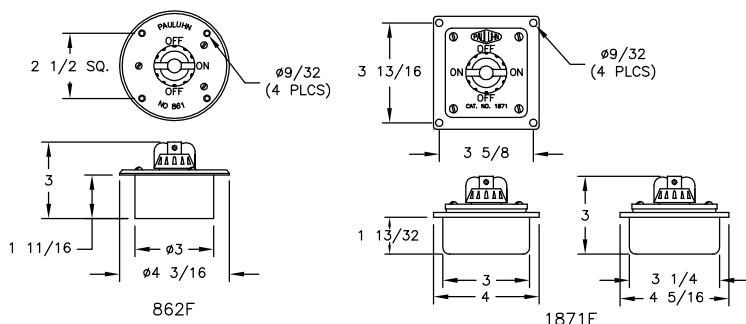
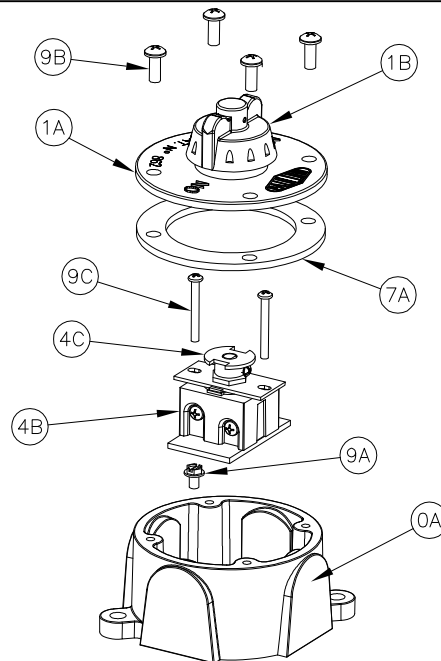
### INSTALLATION & ELECTRICAL WIRING

**WARNING** Risk of electrical shock hazard, only qualified personnel should conduct this procedure!  
Do not make electrical connections with the power ON. Use cu or cu clad wire only. These units are provided with switches rated 20 amps, either 120 vac or 240 vac. Apply lubricant to all screws and threads during installation, failure to use can result in voiding warranty.

1. Locate and drill cable gland hole through the thickened area of the junction box (0A) per instructions furnished with cable gland (not provided). Clean all foreign material out of junction box.
2. Mount the junction box (0A) in its intended location using 1/4" bolts (not provided). See illustration below for mounting dimensions.
3. Cables should be stripped back approx. 6" - 10" to allow individual wires to flex.
4. Install cable glands (not provided) per instructions furnished with cable gland.
5. Route cable in through cable gland and secure seal on cable jacket.
6. Connect device to operate to rotary switch (4B). Black wire to screw on side of switch (4B). White wire to screw on other side of switch (4B). See wiring diagram.

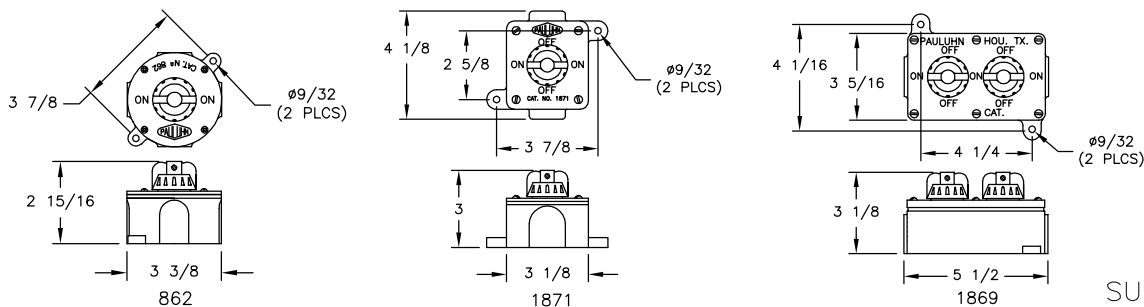
**CAUTION** Switch rated 240 vac max. !

7. Connect rotary switch (4B) to supply line. L1 (Hot) lead to black wire side of switch (4B). L2 (Neutral) lead to white wire side of switch (4B).
8. Connect Green or earth wire to Ground screw (9A) inside junction box.
9. Mount rotary switch (4B) to the junction box (0A) with two #6 screws (9C) provided.
10. Slip gasket (7A) over cover (1A) so it can be installed between the cover and junction box (0A).
11. Mount cover (1A) with #10 screws (9B) provided. Making sure cam (4C) on rotary switch is align with knob (1B) on cover. Torque screws only enough to insure a good gasket seal (approx. 10-20 in.lbs).



FLUSH MOUNT

WIRING DIAGRAM



SURFACE MOUNT

All statements, technical information and recommendations contained herein are based on information and tests we believe to be reliable. The accuracy or completeness thereof are not guaranteed. In accordance with Crouse-Hinds "Terms and Conditions of Sale", and since conditions of use are outside our control, the purchaser should determine the suitability of the product for his intended use and assumes all risk and liability whatsoever in connection therewith.