

# EP833 / EP834 SERIES

## WATERTIGHT GENERAL ALARM CONTACT MARKER

### Installation & Wiring Information

**SAVE THESE INSTRUCTIONS FOR FUTURE REFERENCE**

**CAUTION** Read carefully before installing and wiring the receptacle. Any warning or special instructions should be closely followed. These instructions include information for installation in hazardous locations. Hazardous area installations should be done in accordance with article 500 and 501 of the NEC. Check the ratings to insure suitability for the environment & supply. Must be installed in accordance with the NEC (National Electrical Code) and all other applicable codes.

All junction boxes must be properly grounded. To reduce the risk of fire or explosion, do not install where the marked operating temperature exceeds the ignition temperature of the hazardous atmosphere. Disconnect device from supply circuit before opening. Keep tightly closed when in operation. Do not attempt to install this device unless you are familiar with warnings, cautions and procedures outlined in this information sheet.

### INSTALLATION & ELECTRICAL WIRING

**WARNING** Risk of electrical shock hazard, only qualified personnel should conduct this procedure! Do not make electrical connections with the power ON. Apply lubricant to all screws and threads during installation, failure to use can result in voiding warranty. **FOR USE IN CLASS I, GROUPS C & D.**

1. Mount the junction box (0A) in its intended location using min. 1/4" bolts (not provided). See illustration below for mounting dimensions.
2. Cables should be stripped back approx. 6" - 10" to allow individual wires to flex.
3. Install cable gland (not provided) to junction box (0A) per instructions furnished with cable gland.
4. Route cable in through cable gland and secure seal on cable jacket.

**CAUTION** See cover label (1B) for voltage and current ratings.

5. Using connectors, connect L1 - IN lead to terminal F (EP833) or 12 (EP834). See switch diagram below.

6. Connect L1 - OUT lead to terminal G (EP833) or 13 (EP834).

7. Connect L2 - IN lead to terminal B (EP833) or 16 (EP834).

8. Connect L2 - OUT lead to terminal C (EP833) or 17 (EP834).

9. Connect Green or earth wire to green Ground wire (4A) or Ground screw (4B).

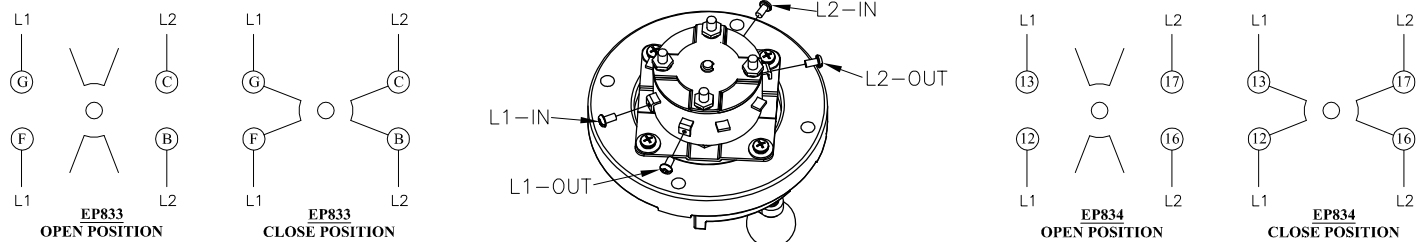
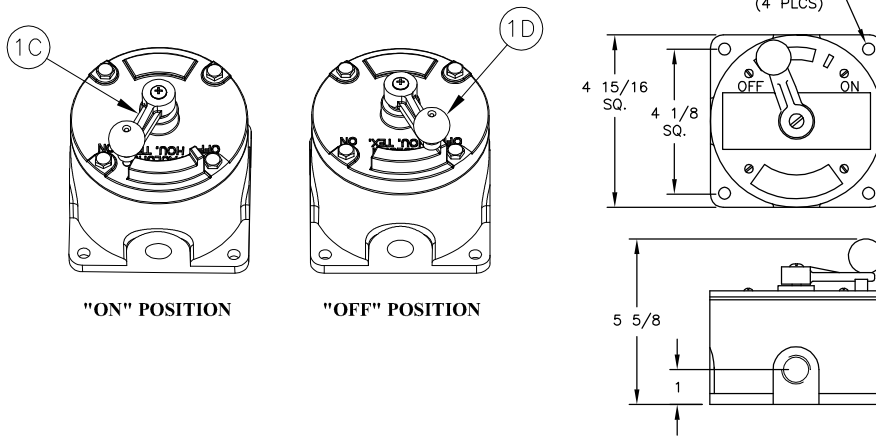
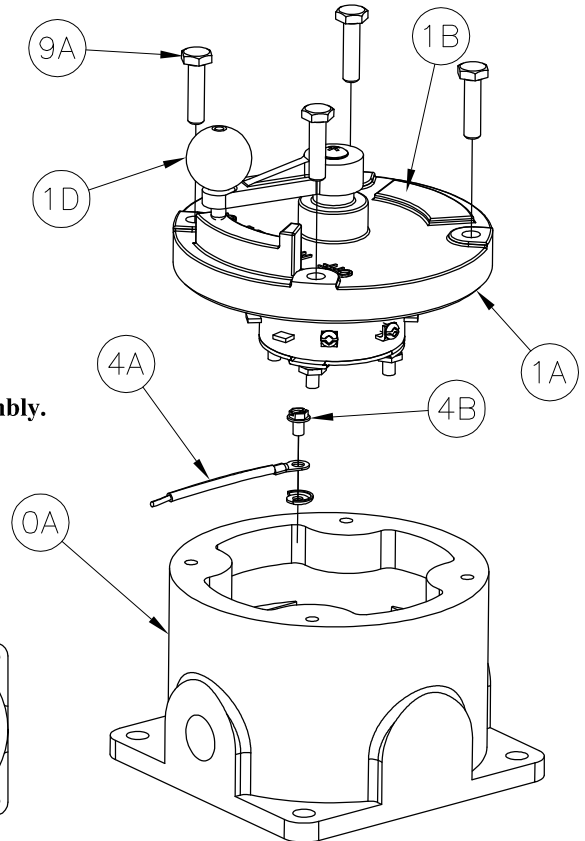
**NOTE:** Clean both junction box and cover surfaces free of debris prior to reassembly.

8. Mount cover (1A) with 1/4" bolts (9A). Torque 1/4" bolts to 10 ft.lbs.

#### OPERATION:

To energize switch circuit, rotate the lever (1C) clockwise and depress the knob (1D) to engage the retaining pin against the stop wall, to lock in the "ON" position.

To de-energize the switch, pull the knob (1D) and allow spring loaded switch to rotate counter-clockwise to the "OFF" position.



All statements, technical information and recommendations contained herein are based on information and tests we believe to be reliable. The accuracy or completeness thereof are not guaranteed. In accordance with Crouse-Hinds "Terms and Conditions of Sale", and since conditions of use are outside our control, the purchaser should determine the suitability of the product for his intended use and assumes all risk and liability whatsoever in connection therewith.