

Applications:

- Aircraft fueling and maintenance areas
- Oil and gas exploration and production
- Grain and sugar milling, processing and storage
- Fuel dispensing facilities
- Petrochemical facilities
- Coal processing and storage
- Munitions manufacturing and storage
- Marine and watertight requirements
- Paint and formulation facilities
- Pipeline compressor/pumping and storage
- Alcohol formulation, blending and storage

Features:

- May be locked into the ON or OFF position for added safety
- Heavy duty mounting pads
- Silicone lubricant provided for cover screws and flange
- Flametight, close tolerance threaded switch stem
- 20 amperes single-pole, two-pole, three-way and four-way units
- 20 or 30 amperes single-pole double throw and two-pole double throw options

Certifications and compliances:

- Class I, Divisions 1 & 2, Groups C, D
- Class II, Divisions 1 & 2, Groups E, F, G
- UL894 – Switches for Use in Hazardous Locations
- Conforms to IP65
- ABS

Standard materials:

- Box and cover – cast copper-free aluminum
- Switch stem – stainless steel
- Hardware – stainless steel

Technical specifications:

- Entries – one 1/2" NPT (standard); up to 3/4" NPT through feed available (optional)
- Voltage – 120-277 VAC

Mounting option:

- Surface mount, via two 5/16" maximum mounting bolts (not included)



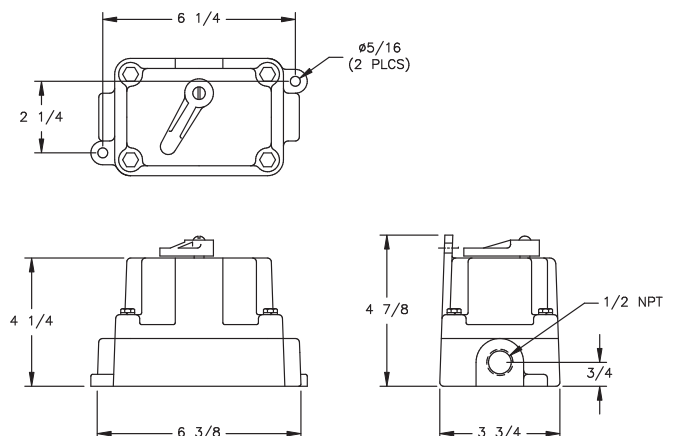
Entry options:

NPT trade size	Dead end	Through feed
1/2"	Std.	C1
3/4"	E2	C2

Ordering information:

Cat. #	Description	Weight (lbs.)
EPCS2211A	Single-pole, 20A	4.5
EPCS2212A	Two-pole, 20A	4.5
EPCS2212A-30	Two-pole, 30A	4.5
EPCS2214A	Three-way, 20A	4.5
EPCS2215A	Four-way, 20A	4.5
EPCS2216A	Single-pole double throw (ON), 30A	4.5
EPCS2217A	Single-pole double throw (ON/OFF/ON), 20A	4.5
EPCS2218A	Two-pole double throw (ON/OFF/ON), 20A	4.5
EPCS2219A	Two-pole double throw (ON), 30A	4.5

Dimensions (in inches):



12P