

## Applications:

- Marine and watertight requirements

## Features:

- Watertight toggle switch
- Wide range of switch types in single-pole, two-pole, three-way or four-way units
- Cast marine brass or copper-free aluminum construction available
- Heavy duty mounting pads
- Neoprene gasket resists petroleum and provides a watertight seal
- Silicone lubricant provided for cover screws and flange
- Switches rated at 15, 20 or 30 amperes

## Certifications and compliances:

- Conforms to IP66
- ABS

## Standard materials:

- Box, cover and handle – cast marine brass or copper-free aluminum (see listings)
- Hardware – stainless steel
- Gasket – one-piece neoprene

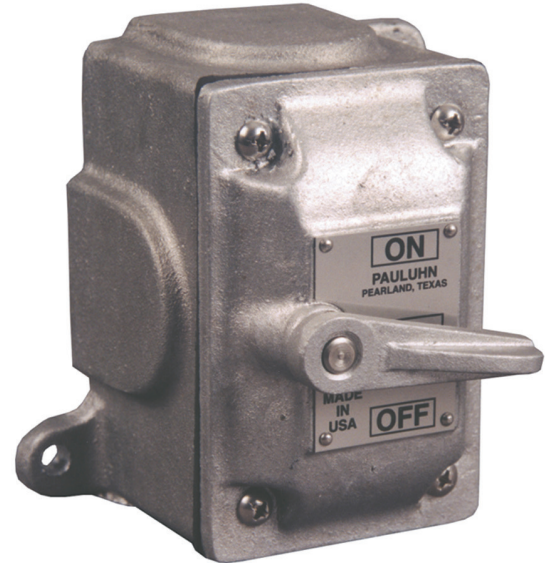
## Technical specifications:

- Entries – standard units undrilled; up to four 1" NPT outlets available

### Voltage and current ratings:

#### Switch

- 15 amperes, 277 VAC
- 20 amperes, 250 VAC
- 30 amperes, 250 VAC



## Mounting option:

- Surface mount, via two 1/4" mounting bolts (not included)

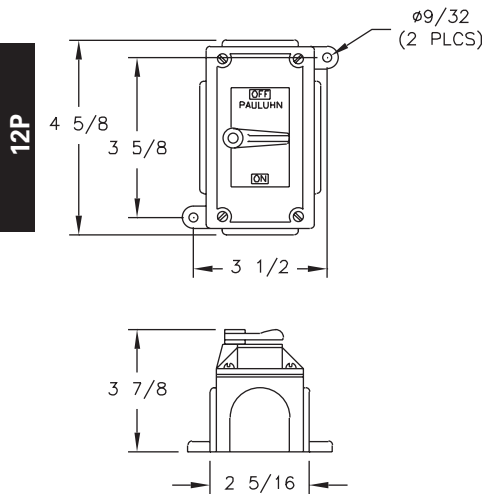
## Entry options:

NPT trade size	Dead end	Through feed	X positions
1/2"	E1	C1	X1
3/4"	E2	C2	X2
1"	E3	C3	X3

## Ordering information:

Cat. #	Description	Voltage and current	Material	Weight (lbs.)
2100B	Single-gang, single-pole	15A, 277 VAC	Marine brass	4.3
2111B	Single-gang, single-pole	20A, 250 VAC	Marine brass	4.3
2121B	Single-gang, single-pole	30A, 250 VAC	Marine brass	4.3
2102B	Single-gang, two-pole	15A, 277 VAC	Marine brass	4.3
2112B	Single-gang, two-pole	20A, 250 VAC	Marine brass	4.3
2119B <sup>A</sup>	Single-gang, two-pole double throw (ON)	30A, 250 VAC	Marine brass	4.3
2122B	Single-gang, two-pole	30A, 250 VAC	Marine brass	4.3
2103B	Single-gang, three-way	15A, 277 VAC	Marine brass	4.3
2113B	Single-gang, three-way	20A, 250 VAC	Marine brass	4.3
2123B	Single-gang, three-way	30A, 250 VAC	Marine brass	4.3
2104B	Single-gang, four-way	15A, 277 VAC	Marine brass	4.3
2100A	Single-gang, single-pole	15A, 277 VAC	Aluminum	1.8
2111A	Single-gang, single-pole	20A, 250 VAC	Aluminum	1.8
2121A	Single-gang, single-pole	30A, 250 VAC	Aluminum	1.8
2102A	Single-gang, two-pole	15A, 277 VAC	Aluminum	1.8
2112A	Single-gang, two-pole	20A, 250 VAC	Aluminum	1.8
2119A <sup>A</sup>	Single-gang, two-pole	20A, 250 VAC	Aluminum	1.8
2122A	Single-gang, two-pole	30A, 250 VAC	Aluminum	1.8
2103A	Single-gang, three-way	15A, 277 VAC	Aluminum	1.8
2113A	Single-gang, three-way	20A, 250 VAC	Aluminum	1.8
2123A	Single-gang, three-way	30A, 250 VAC	Aluminum	1.8
2104A	Single-gang, four-way	15A, 277 VAC	Aluminum	1.8

## Dimensions (in inches):



2100B-2104B / 2111B-2113B  
2121B-2123B

<sup>A</sup> On/On; no center "OFF" position.