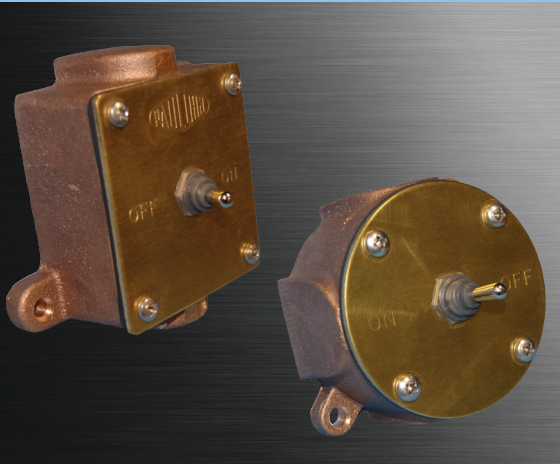


Pro

ProXchange TG/mw



FEATURES

- Cast marine brass or copper free aluminum construction available.
- Neoprene gasket resists petroleum and provides a watertight seal.
- Silicone lubricant provided for cover screws and flange.
- Round or Square box types in surface or flush mounting.
- Heavy duty mounting pads.
- Double pole toggle switch rated at 20 amps.

APPLICATIONS

- Marine and watertight requirements

APPROVALS

- Conforms to IP66
- ABS

TECHNICAL SPECIFICATIONS

BOX

Cast marine brass or copper free aluminum.

COVER

Marine brass or copper free aluminum.

HARDWARE

Stainless steel.

GASKET

One piece neoprene.

ENTRIES

Standard undrilled. Square and two gang versions up to ¼" NPT through feed. Round versions up to ¾" NPT four way. See ENTRY OPTIONS for selections.

VOLTAGE AND CURRENT

10 Amp 250v AC, 20 Amp 125v AC, 1½ HP.

MOUNTING

All models except 862BFH.

Surface, via two ¼" mounting bolts (not included).

862BFH

Flush, via four ¼" mounting bolts (not included).

ORDERING REFERENCES

PART NUMBER	DESCRIPTION	WEIGHT LBS
862BH	BRASS, Surface Mount Round Box	2.1
878BH	BRASS, Surface Mount Round Box With Three-way Toggle Switch	2.1
2871BH	BRASS, Surface Mount Square Box With Three-way Toggle Switch	3.2
1871BH	BRASS, Surface Mount Square Box	3.2
1869BH	BRASS, Surface Mount Two Gang Box	4.5
862BFH	BRASS, Flush Mount Round Box	3.0
878BFH	BRASS, Flush Mount Round Box With Three-way Toggle Switch	3.0
2871BFH	BRASS, Flush Mount Square Box With Three-way Toggle Switch	2.3
862AH	ALUMINUM, Surface Mount Round Box	0.7
878AH	ALUMINUM, Surface Mount Round Box With Three-way Switch	0.7

ENTRY OPTIONS

862 & 878 Versions

NPT Trade Size	Dead End	Thru Feed	90 Degree	X-Positions
1/2"	E1	C1	L1	X1
3/4"	E2	C2	L2	X2

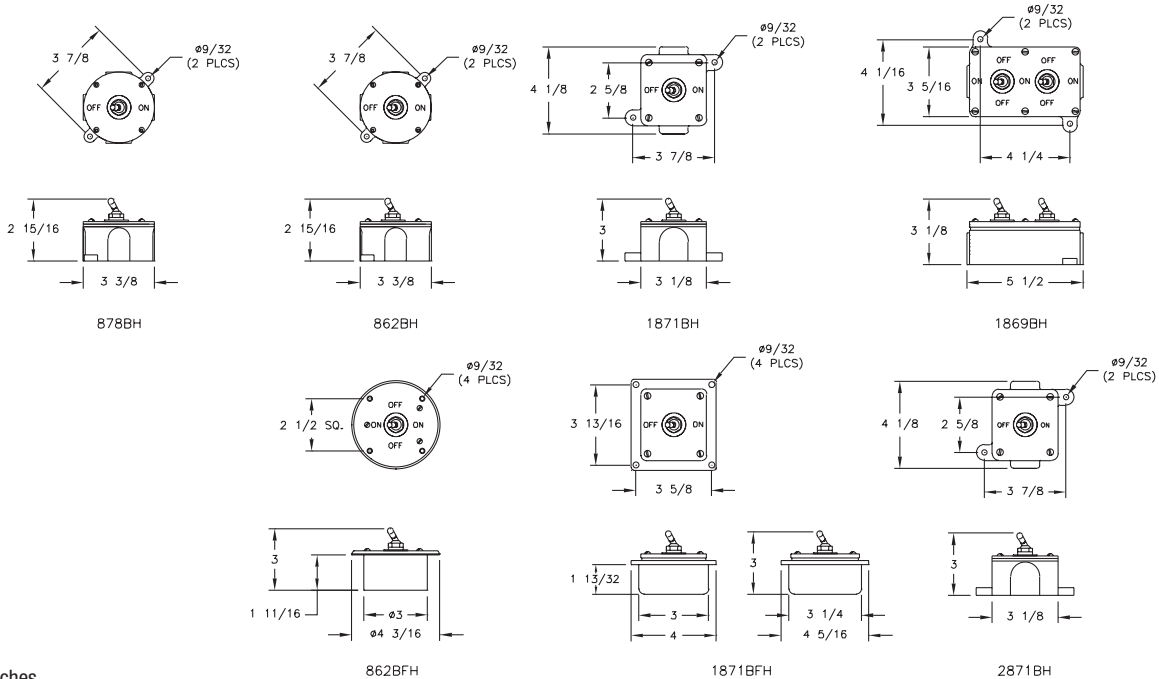
1869, 1871 & 2871 Versions

NPT Trade Size	Dead End	Thru Feed
1/2"	E1	C1
3/4"	E2	C2

SPARE PARTS

Part No.	Description
INX6513B	TOGGLE TYPE COVER, BRASS, Surface Mount Round Box
INX6510BH	TOGGLE TYPE COVER, BRASS, Surface Mount Square Box
INX6511BH	TOGGLE TYPE COVER, BRASS, Surface Mount Two Gang Box
INX6509BH	TOGGLE TYPE COVER, BRASS, Flush Mount Round Box
INX6513A	TOGGLE TYPE COVER, ALUMINUM, Surface Mount Round Box
INX6001B	BOX, BRASS, Surface Mount Round
INX6002B	BOX, BRASS, Surface Mount Square
INX6003B	BOX, BRASS, Surface Mount Two Gang
INX6004B	BOX, BRASS, Flush Mount Round
INX6001A	BOX, ALUMINUM, Surface Mount Round
INX3016	SWITCH, Double Pole Toggle
INX3018	SWITCH, 3-Way Toggle
INH0003	BOOT FOR TOGGLE SWITCH
GKT3001	GASKET, Surface Mount Round Box
GKT4000	GASKET, Surface Mount Square Box
GKT5001	GASKET, Surface Mount Two Gang Box
GKT2007	GASKET, Flush Mount Round Box

DIMENSIONS



Dimensions in inches