

# OAC Series Pushbutton Stations and Heavy Duty Selector Switches

**600 VAC Standard  
Factory Sealed†**

Cl. I, Div. 1 & 2, Groups A, B, C, D  
Cl. II, Div. 1, Groups E, F, G  
Cl. II, Div. 2, Groups F, G  
Cl. III  
NEMA 3, 4, 7ABCD, 9EFG, 12

Explosionproof  
Dust-Ignitionproof  
Raintight  
Wet Locations  
Watertight

**4C**

## Applications:

OAC Units are used:

- In areas which are hazardous due to the presence of flammable vapors, gases or highly combustible dusts
- In damp, wet or corrosive locations
- Indoors or outdoors at petroleum refineries, chemical and petrochemical plants and other process industry facilities where similar hazards exist
- In areas which are hazardous due to the presence of acetylene and hydrogen, or gases or vapors of equivalent hazard such as manufactured gas
- In conjunction with magnetic starters or contactors for remote control of motors

## Features:

- Water-shedding construction with female threaded bottom opening and male threaded cover
- Threaded cover is deep dome type, which surrounds the enclosed device
- All enclosures are suitable for hazardous area use
- Pushbutton stations have a guarded rocker type operating handle at the front arranged for padlocking to prevent unauthorized operation
- Selector switches have a lever type operating handle at the top
- Provided with vertical through feed conduit hubs of sizes indicated in the listings
- Units are factory sealed for Cl. I, Div. 1 and 2, Groups B, C, D
- Standard lockout on selector switches. Locks two or three-position switch handle in any position.

## Standard Materials:

- Bodies – *Feraloy*® iron alloy
- Covers and operating handle – copper-free aluminum
- Operating shafts – stainless steel

## Standard Finishes:

- *Feraloy* iron alloy – electrogalvanized and aluminum acrylic paint
- Copper-free aluminum – natural
- Stainless steel – natural

## Certifications and Complies:

- NEC/CEC  
Class I, Division 1 & 2, Groups A, B, C, D  
Class II, Division 1, Groups E, F, G  
Class II, Division 2, Groups F, G  
Class III
- NEMA/EEMAC: 3, 4, 7ABCD, 9EFG, 12
- UL Standard: 1203
- CSA Standard: C22.2 No. 30

## Electrical Rating Ranges:

- Pushbutton stations, and selector switches - Air Break – heavy duty 600VAC maximum

## Options:

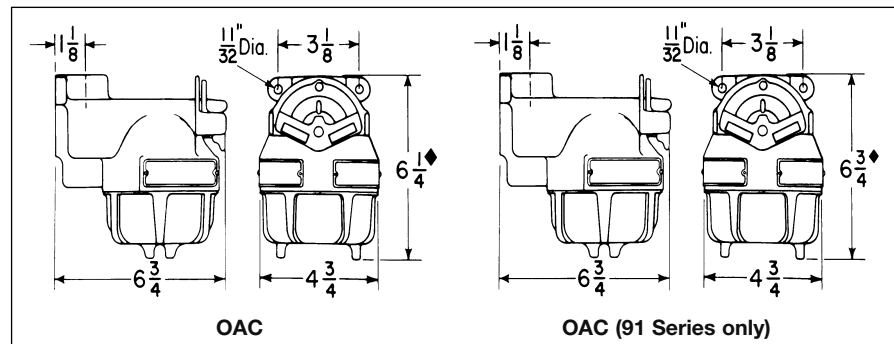
The following special options are available from factory by adding suffix to Cat. #:

Description	Suffix
Back boss drilled and tapped for 3/4" and 1" sizes.....	Specify
Three-position selector switches with modified operation:	
Momentary contact clockwise operation, spring return to center, maintained contact counter-clockwise operation.....	S634
Momentary contact counter-clockwise operation, spring return to center, maintained contact clockwise operation.....	S635



4C

## Dimensions In Inches\*:



†Factory sealed for Class I, Div. 1 & 2, Groups B, C, D.

\*Dimensions are approximate, not for construction purposes. For cover removal, add 2/32" to dimension.

# 4C OAC Series Pushbutton Stations and Heavy Duty Selector Switches

600 VAC Standard  
Factory Sealed†

Cl. I, Div. 1 & 2, Groups A, B, C, D Explosionproof  
 Cl. II, Div. 1, Groups E, F, G Dust-Ignitionproof  
 Cl. II, Div. 2, Groups F, G Raintight  
 Cl. III Wet Locations  
 NEMA 3, 4, 7ABCD, 9EFG, 12 Watertight



4C

## Ordering Information - Pushbutton Stations

Normal Pos.	1 Circuit Universal	2 Circuits Universal	2 Circuits Universal	2 Circuits*
Oper. Handles	Single	Double	Single Operating Both Buttons	Double
Replacement Pushbuttons Diagram	ED21	ED22	ED22	ED22*
Hub Size	Cat. #	Cat. #	Cat. #	Cat. #
3/4	OAC2101 ①	OAC2133 ①	OAC2139 ①	OAC2103 ①
1	OAC3101 ①	OAC3133 ①	OAC3139 ①	OAC3103 ①

With momentary left handle and maintained right handle. For momentary "START", maintained "STOP" and similar applications.

Normal Pos. Diagram	2 Circuit Universal Diagram
Enclosure with Pushbuttons Hub Size	Cat. #
3/4	OAC2291 ①
1	OAC3291 ①

① If desired, markings on indicating plates may be added to catalog number. Select from the list of standard markings below:

START	OFF	RESET	LIGHT ON
STOP	RUN	TRIP	HAND
ON	JOG	TEST	AUTOMATIC
EMERGENCY	OPEN	DOWN	RAISE
FORWARD	CLOSE	IN	LOWER
REVERSE	UP	OUT	

†Factory sealed for Class I, Div. 1 & 2, Groups B, C, D  
 \*Two universal contact blocks, must be wired as two circuits, one normally open and one normally closed.

# OAC Series Pushbutton Stations and Heavy Duty Selector Switches

600 VAC Standard  
Factory Sealed†

Cl. I, Div. 1 & 2, Groups A, B, C, D  
Cl. II, Div. 1, Groups E, F, G  
Cl. II, Div. 2, Groups F, G  
Cl. III  
NEMA 3, 4, 7ABCD, 9EFG, 12

Explosionproof  
Dust-Ignitionproof  
Raintight  
Wet Locations  
Watertight

**4C**

## Ordering Information - Selector Switches

Style	Position 1	Position 2	Position 3	Replacement Contact Blocks*	Enclosure with Selector Switch	
					Hub Size	Cat. #
Two-Position, Two-Circuit	A1			ED21	3/4	OAC2471 ①
	A2				1	OAC3471 ①
Two-Position, Four-Circuit	A1			ED22	3/4	OAC2472 ①
	A2				1	OAC3472 ①
	B1					
	B2					
Three-Position, Two-Circuit ‡	A1			ED21	3/4	OAC2473 ①
	A2				1	OAC3473 ①
Three-Position, Four-Circuit ‡	A1			ED22	3/4	OAC2474 ①
	A2				1	OAC3474 ①
	B1					
	B2					



OAC Selector Switches are furnished with pushbutton contact blocks, cam actuated by a maintained contact selector mechanism to operate in the sequences shown in the diagrams below.

**4C**

① If desired, markings on indicating plates may be added to catalog number. Select from the list of standard markings below:

### Two-Position

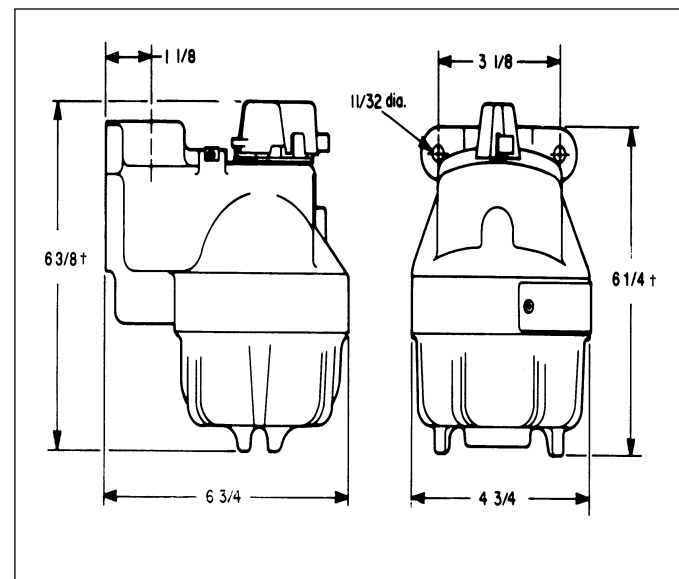
RUN, JOG	FAST, SLOW	IN-OUT
HAND, AUTOMATIC	OPEN, CLOSE	RAISE-LOWER
FORWARD, REVERSE	UP, DOWN	START-STOP
	ON, OFF	

### Three-Position

RUN, OFF, JOG	1, OFF, 2
HAND, OFF, AUTOMATIC	OPEN, OFF, CLOSE
FORWARD, OFF, REVERSE	UP, OFF, DOWN
FAST, OFF, SLOW	

## Dimensions\*

In Inches:



†Factory sealed for Class I, Div. 1 & 2, Groups B, C, D

‡ Suffixes S634 or S635 may be used on these catalog numbers. See page 567 of explanation of options.

\*Dimensions are approximate. Not for construction purposes. For cover removal, add 2 1/2" to dimension.