

NST Disconnect Switches and Enclosures

Corrosion-Resistant
Dust-tight
Watertight
Weatherproof
NEMA 3, 4X, 12

2A

600VAC/250VDC Heavy Duty

Applications:

- NST disconnect switches are for use in disconnecting motor, lighting and other circuits.

Features:

- Enclosures are made of *Krydon*®, Eaton's Crouse-Hinds' high impact strength fiberglass-reinforced polyester material having excellent corrosion resistance and stability to heat.
- Unitized, strong and durable enclosure construction provides longer service life for equipment.
- Enclosure has hinged access door which opens 160° for easy wiring and maintenance. Three screws for door frame are hidden behind access door.
- Access door may be padlocked to prevent unauthorized access.

Certifications and Compliances:

- NEMA: 3, 4X and 12
- UL Standard: 98
- CSA Standard: C22.2 No. 4

Electrical Rating Ranges:

- 240 VAC/250 VDC & 600 VAC
- 30, 60, 100 and 200 amp

Ordering Information:

To order an enclosure complete with disconnect switch, insert the manufacturer's symbol in the designated positions of the catalog number. Symbols are shown in the footnotes. Enclosures only can be ordered. Select from the listings below.

Options:

Description

- Auxiliary switch, 600 VAC-DC heavy duty pushbutton station rating, can be supplied. Its contacts will close after switch contacts close and open before switch opens.....
- Hubs (see "Note on Hubs") – see page 677
- Grounding plate or bushing – see page 677

Suffix

S483*



Disconnect switch with built-in *Krydon* material handle

2A

Amp Rating	Max HP Rating				Enclosure		
	AC Polyphase			DC using 2 poles only	With Switch 240VAC/250VDC Cat. #	With Switch 600VAC Cat. #	Without Switch Cat. #
	200/240V	440/480V	550/600V	250V Max.			
Non-Fusible							
30	7½	15	20	5	NST1018F ①30320	NST1018F ①30360	NST1018F ①
60	15	30	40	10	NST1018F ①60320	NST1018F ①60360	NST1018F ①
100	30	50	50	20	NST1426F ①10320	NST1426F ①10360	NST1426F ①
200	50	125	100	40	NST1426F2 ①20320†	NST1426F2 ①20360†	NST1426F2 ①†
Fusible‡							
30	7½	15	20	5	NST1018F ①30321	NST1018F ①30361	NST1018F ①
60	15	30	40	10	NST1018F ①60321	NST1018F ①60361	NST1018F ①
100	30	50	50	20	NST1426F ①10321	NST1426F ①10361	NST1426F ①
200	50	125	100	40	NST1426F2 ①20321†	NST1426F2 ①20361†	NST1426F2 ①†

① Disconnect Switches:

Manufacturer	Symbol	Switch Type
General Electric	G	Type QMW
Square D	D	Class 9422
Cutler-Hammer	W	Type DS

NOTE ON HUBS: The following number and sizes of hubs (not mounted) are included when disconnect switches are ordered complete. If enclosures only are ordered, hubs must be ordered separately (see "Options").

Switch Size	Number Included	Hub Size
30	2	¾
60	2	1¼
100	2	2
200	2	2½

*For Square D switches only.

†For General Electric switches only. Accommodates Class J fuses only. Not available with Cutler-Hammer "W" switch.

‡Fuse clips are arranged for Class H fuses and field modifiable for Class J fuses. For Class R fuses, consult Eaton's Crouse-Hinds.

Crouse-Hinds

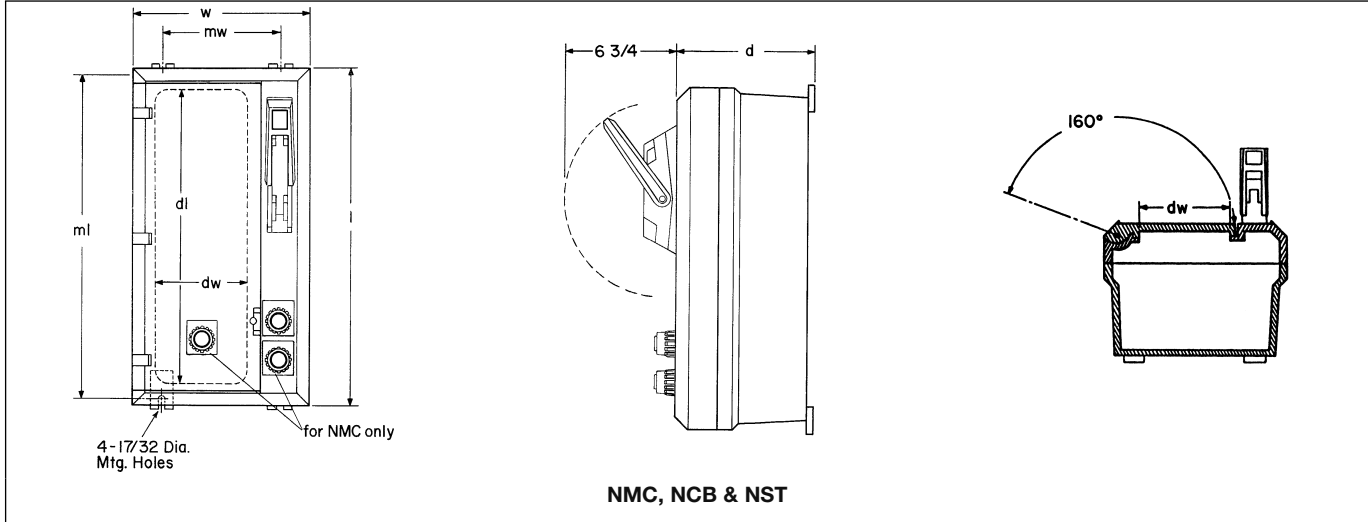
by **EATON**

2A NST Disconnect Switches and Enclosures

600VAC/250VDC Heavy Duty

Corrosion-Resistant
Dust-tight
Watertight
Weatherproof
NEMA 3, 4X, 12

Dimensions* In Inches:



2A

Cat. #	Outside Dimensions		d	Mounting Dimensions		Door Opening Dimensions	
	l	w		mw	ml	dl	dw
NST1018	19 ^{13/32}	11 ^{13/32}	8 ^{23/32}	7 ^{1/8}	19 ^{3/8}	16 ^{7/8}	5 ^{11/16}
NST1426	27 ^{13/32}	15 ^{13/32}	9 ^{23/32}	11 ^{7/8}	27 ^{1/4}	23 ^{11/16}	9 ^{11/16}

*Dimensions are approximate, not to be used for construction purposes.