

GUSC Circuit Breaker Load Centers

with Quicklag® Circuit Breakers

Cl. I, Div. 1 & 2, Groups B†, C, D
 Cl. II, Div. 1, Groups E, F, G
 Cl. II, Div. 2, Groups F, G
 Cl. III

Explosionproof
 Dust-Ignitionproof
 Raintight
 Wet Locations

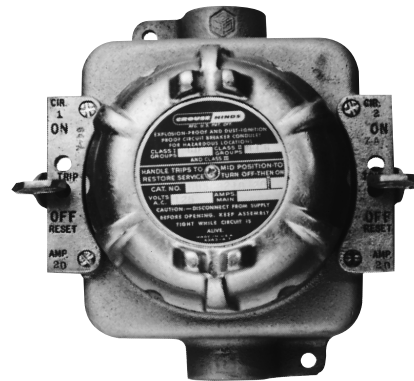
1A

Applications:

GUSC circuit breaker load centers are used in:

- Areas which are hazardous due to the presence of flammable vapors, gases or highly combustible dusts, and which are subject to weather, dampness and corrosion
- Indoors or outdoors at petroleum refineries, chemical and petrochemical plants and other process industry facilities where similar hazards exist

For general application and circuit breaker information, see pages 626–627.



Features:

- Compact rectangular enclosures with round threaded covers
- External operating handles can be padlocked in either "ON" or "OFF" positions
- Not furnished with internal wiring as field wiring connections are made directly to circuit breaker line and load terminals. To meet varying grounding requirements, an insulated neutral terminal block is provided and is equipped with a removable grounding jumper
- Bodies have 1" vertical throughfeed hubs

Certifications and Compliances:

- NEC:
 - Class I, Div. 1 & 2, Groups B†, C, D
 - Class II, Div. 1, Groups E, F, G
 - Class II, Div. 2, Groups F, G
 - Class III
- NEMA: 3, 7BCD, 9EFG, 12
- UL Standard: 1203

Standard Materials:

- Bodies – *Feraloy*® iron alloy
- Covers and operating handles – copper-free aluminum
- Operating shafts – stainless steel
- Interior parts – sheet steel

Standard Finishes:

- *Feraloy* iron alloy – electrogalvanized and aluminum acrylic paint
- Copper-free aluminum – natural
- Stainless steel – natural
- Sheet steel – electrogalvanized with chromate finish

Size Ranges:

Max. No. of Breakers	
Single-pole	Two-pole
2	1

Electrical Rating Ranges:

- Quicklag circuit breakers: single-pole, 240VAC max.; two-pole, 240VAC max.
- Trip ratings: 10, 15, 20, 30 and 40 amp.

Options:

The following special options are available from factory by adding suffix to Cat. No.:

Description	Suffix
• Breather and drain (Class I and Class II).....	S198V
• Breather and drain (Class I and Class II, Groups F, G).....	S454V
• Assortment of single and two-pole circuit breakers and trip ratings.....	Specify

†See listings for catalog numbers which are suitable for use in Group B hazardous locations. Seals must be installed within 1/2" of all conduit openings. Quicklag is a registered trademark of Cutler-Hammer Inc.

1A

1A GUSC Circuit Breaker Load Centers

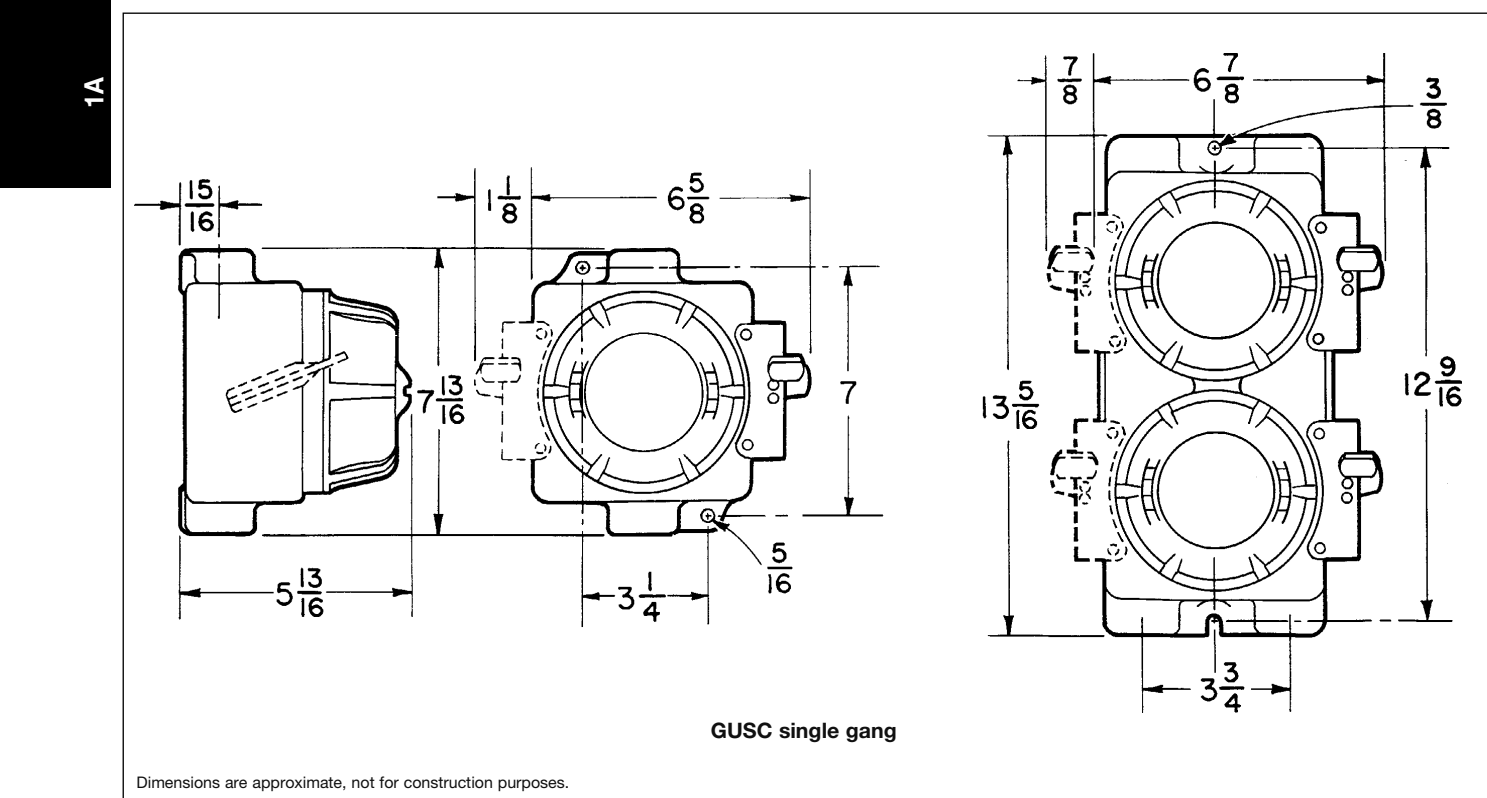
with Quicklag® Circuit Breakers

Cl. I, Div. 1 & 2, Groups B†, C, D
 Cl. II, Div. 1, Groups E, F, G
 Cl. II, Div. 2, Groups F, G
 Cl. III

Explosionproof
 Dust-Ignitionproof
 Raintight
 Wet Locations

Circuit Breaker Information			Load Center With Circuit Breaker		
No. of Breakers	Poles	Ampere Rating	Hub Size	Standard Units Cat. #	Group B Units Cat. #
1	1	10	1	GUSC3110 10	GUSC3110 10 GB
		15	1	GUSC3110 15	GUSC3110 15 GB
		20	1	GUSC3110 20	GUSC3110 20 GB
		30	1	GUSC3110 30	GUSC3110 30 GB
		40	1	GUSC3110 40	GUSC3110 40 GB
2	1	10	1	GUSC3210 10	GUSC3210 10 GB
		15	1	GUSC3210 15	GUSC3210 15 GB
		20	1	GUSC3210 20	GUSC3210 20 GB
		30	1	GUSC3210 30	GUSC3210 30 GB
		40	1	GUSC3210 40	GUSC3210 40 GB
1	2	10	1	GUSC3120 10	GUSC3120 10 GB
		15	1	GUSC3120 15	GUSC3120 15 GB
		20	1	GUSC3120 20	GUSC3120 20 GB
		30	1	GUSC3120 30	GUSC3120 30 GB
		40	1	GUSC3120 40	GUSC3120 40 GB

Dimensions In Inches:



†See listings for catalog numbers which are suitable for use in Group B hazardous locations. Seals must be installed within 1/2" of all conduit openings. Quicklag is a registered trademark of Cutler-Hammer Inc.