

Applications:

- GHG273 series of switches are used:
- To prevent arcing of enclosed switch from causing ignition of a specific hazardous atmosphere external to the enclosure
 - In Division 2, Zone 1 and Zone 2 industrial areas such as: chemical plants, oil and gas refineries, paint and varnish manufacturing plants, gasoline bulk loading terminals, grain elevators and processing industries, coal processing or handling areas, or finishing areas where atmosphere may contain hazardous gases and/or dust
 - In non-hazardous areas where sturdy, durable enclosures are required for both indoor and outdoor installations of light switches

Features:

- Small and compact in design.
- Large grounding plate.
- Captive cover screws.
- Protective collar for inadvertent operation.
- Large actuator surface allows for operation while wearing work gloves.
- Labyrinth seal to guarantee the degree of protection IP66.
- The toggle has a luminescent label to locate switch in dark areas.
- Cable entry from the top is made possible by turning the base for single entry designs.

Certifications and Compliances:

- cCSAus Listed
- Class I, Division 2, Groups A, B, C, D
- Class II, Division 1, Groups E, F, G
- Class II, Division 2, Groups F, G
- Class I, Zone 1 & 2, AEx de IIC T6
- Class I, Zone 1 & 2, Ex de IIC T6
- PTB 98 ATEX 3121
- IECEx BKI 07.0036
- IP66

Standard Materials:

- Body and cover – low temperature, impact-resistant thermoplastic
- Shaft and screws – stainless steel
- Grounding plate – nickel-plated brass

Standard Finishes:

- Thermoplastic – natural
- Stainless steel – natural
- Brass – nickel plate

Electrical Ratings:

	Voltage	Current
ATEX & IECEx –	250VAC	16A
CSA –	240VAC	10A

Crouse-Hinds

by **Eaton**



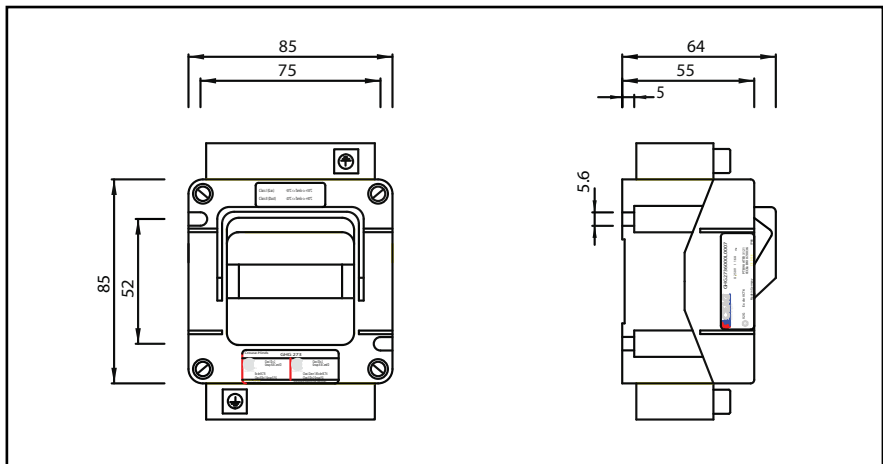
Ordering Information:

Cat. #	Contact Arrangement	Description	Entry Size
GHG 273 2000 L0005		2-pole	1 x 1/2" NPT (bottom)
GHG 273 2000 L0006		2-pole	1 x 3/4" NPT (bottom)
GHG 273 2000 L0012		2-pole	1 x M20 (top), 2 x M20 (bottom)*
GHG 273 6000 L0001		3-way	1 x 1/2" NPT (bottom)
GHG 273 6000 L0002		3-way	1 x 3/4" NPT (bottom)
GHG 273 6000 L0007		3-way	1 x M20 (top), 2 x M20 (bottom)*

*Gland plates included.

Dimensions

In mm:



Dimensions are approximate, not for construction purposes.