

GHG 262 - Ex-safety switches for three-phase drives 20 A



3-pole, 20 A

Technical data

Ex-safety switches 20 A for controlled three-phase drives

Marking accd. to 2014/34/EU		Ⓔ II 2 G Ex ed ia IIC T6 / Ⓔ II 2 D Ex tD A21 IP66 T80 °C
EC-Type Examination Certificate		PTB 99 ATEX 1161
IECEX Certificate of Conformity		BKI 07.0012
Marking accd. to IECEx		Ex ed ia IIC T6 Ex tD A21 IP66 T55 °C
Permissible ambient temperature		-20 °C up to +40 °C ¹⁾
Rated voltage		up to max. 690 V
Rated current		max. 20 A
Frequency		50/60 Hz
Rated making/breaking capacity AC-3 accd. EN 60947-3		U _e 230 V / I _e 20 A U _e 400 V / I _e 20 A U _e 500 V / I _e 16 A U _e 690 V / I _e 10 A
Back-up fuse		up to 400 V AC: 35 A gG up to 500 V AC: 35 A gG up to 690 V AC: 25 A gG
Connecting terminals	main contact auxiliary/signal contact	2 x 4 mm ² 2 x 4 mm ²
Protection class		I
Degree of protection accd. to EN 60529		IP66
Cable glands/enclosure drilling		M25 cable gland see ordering details M32 cable gland see ordering details Option: metal flange with 2 x thread
Weight		approx. 1.48 kg
Enclosure material		glass-fibre reinforced polyester
Enclosure colour		black
Aux. contact		1 x NO making - lagging; breaking - leading 1 x NC making - leading; breaking - lagging
Safety interlock for electronics		1 x NO making - lagging; breaking - leading
Padlocking facility		can be locked in OFF position with 3 commercially available padlocks (Ø max. 6 mm)

¹⁾ Other ambient temperatures on request



3-pole, 20 A

Ordering details

Content	Cable gland	Order No.
Safety switch 20 A Version with 2 auxiliary contacts (1 NO; 1 x NC), 1 x Safety interlock for electronics (1 x NO)		
3-pole	2 x M32 / 2 x M25	GHG 262 0014 R0001

Customized version on request, auxiliary contacts in Ex ia available

Accessories

Type	Application	Fixing method	Order No.
Mounting plate for Ex-safety switches 20 A controlled three-phase drives			
Size 3	Wall mounting	screwless mounting	GHG 610 1953 R0118
Size 3	Pipe clamp	screwless mounting	GHG 610 1953 R0110
Size 3	Trellis-work mounting	screwless mounting	GHG 610 1953 R0118

Type	OU	Order No.
------	----	-----------

Accessories for mounting plates

Label holder with label (unlabelled) for mounting plate size 1, 2, 2A and 3	10	GHG 610 1953 R0057
Mounting set for pipes 1" (of 27 - 30 mm) for mounting plates with pipe fixing	10	GHG 610 1953 R0020

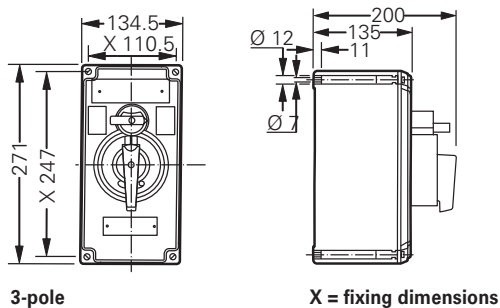
Type	Application	OU	Order No.
------	-------------	----	-----------

Accessories for canopies plates

Size 3	for pipe mounting plate size 3 vertical	1	GHG 610 1955 R0104
Size 3A	for mounting plates wall/trellis fixing size 3 vertical	1	GHG 610 1955 R0105
Size 3	for mounting plates pipe fixing size 3 horizontal	1	GHG 610 1955 R0106

Please pay attention that only order units (OU) according to the ordering details can be delivered.

Dimension drawing



3-pole

X = fixing dimensions

GHG 263 - Ex-safety switches for three-phase drives 40 A



3-pole, 40 A

Technical data

Ex-safety switches 40 A for controlled three-phase drives

Marking accd. to 2014/34/EU		Ⓔ II 2 G Ex ed ia IIC T6 / Ⓔ II 2 D Ex tD A21 IP66 T80 °C
EC-Type Examination Certificate		PTB 99 ATEX 1161
IECEX Certificate of Conformity		BKI 07.0012
Marking accd. to IECEx		Ex ed ia IIC T6 Ex tD A21 IP66 T53 °C
Permissible ambient temperature		-20 °C up to +40 °C ¹⁾
Rated voltage		up to max. 690 V
Rated current		max. 40 A
Frequency		50/60 Hz
Rated making/breaking capacity AC-3 accd. EN 60947-3		U _e 230 V / I _e 40 A U _e 400 V / I _e 40 A U _e 500 V / I _e 40 A U _e 690 V / I _e 32 A
Back-up fuse		up to 400 V AC: 80 A gG up to 500 V AC: 80 A gG up to 690 V AC: 63 A gG
Connecting terminals	main contact auxiliary/signal contact	2 x 16 mm ² 2 x 4 mm ²
Protection class		I
Degree of protection accd. to EN 60529		IP66
Cable glands/enclosure drilling		M25 cable gland see ordering details M40 cable gland see ordering details M50 cable gland see ordering details Option: metal flange with 2 x thread
Weight		approx. 4.3 kg
Enclosure material		glass-fibre reinforced polyester
Enclosure colour		black
Aux. contact		1 x NO making - lagging; breaking - leading 1 x NC making - leading; breaking - lagging
Safety interlock for electronics		1 x NO making - lagging; breaking - leading
Padlocking facility		can be locked in OFF position with 3 commercially available padlocks (Ø max. 6 mm)

¹⁾ Other ambient temperatures on request



3-pole, 40 A

Ordering details

Content	Cable gland	Order No.
Safety switch 40 A 3-pole Version with 2 auxiliary contacts (1 NO; 1 x NC), 1 x Safety interlock for electronics (1 x NO)		
3-pole	2 x M40 / 2 x M25	GHG 263 0053 R0001

Customized version on request, auxiliary contacts in Ex ia available

Accessories

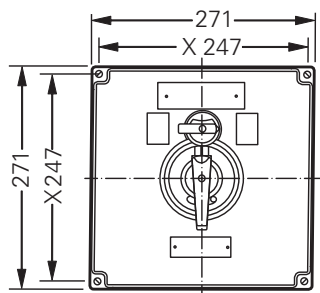
Type	Application	Fixing method	Order No.
Mounting plate for Ex-safety switches 125 A/180 A 3-pole			
Size 3	2 x pipe clamp	screw-on ¹⁾	GHG 610 1953 R0110

¹⁾ observe mounting distance

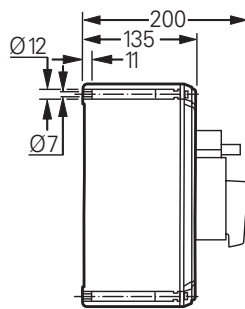
Type	OU	Order No.
Accessories for mounting plates		
Label holder with label (unlabelled) for mounting plate size 1, 2, 2A and 3	10	GHG 610 1953 R0057
Mounting set for pipes 1" (of 27 - 30 mm) for mounting plates with pipe fixing	10	GHG 610 1953 R0020

Please pay attention that only order units (OU) according to the ordering details can be delivered.

Dimension drawing



Ex-safety switches 40 A



X = fixing dimensions

GHG 264 - Ex-safety switches for three-phase drives 80 A



3-pole, 80 A

Technical data

5

Ex-safety switches 80 A for controlled three-phase drives

Marking accd. to 2014/34/EU	Ⓔ II 2 G Ex de IIC T6 / Ⓔ II 2 D Ex tD A21 IP66 T80 °C	
EC-Type Examination Certificate	PTB 00 ATEX 1091	
IECEx Certificate of Conformity	BKI 07.0010	
Marking accd. to IECEx	Ex ed ia II T6 Ex tD A21 IP66 T53 °C	
Permissible ambient temperature	-20 °C up to +40 °C ¹⁾	
Rated voltage	up to max. 690 V	
Rated current	max. 80 A	
Frequency	50/60 Hz	
Rated making/breaking capacity AC-3 accd. EN 60947-3	U _e 230 V / I _e 80 A U _e 400 V / I _e 80 A U _e 500 V / I _e 80 A U _e 690 V / I _e 63 A	
Back-up fuse	up to 400 V AC: 160 A gG up to 500 V AC: 160 A gG up to 690 V AC: 160 A gG	
Connecting terminals	main contact	2 x 25 mm ²
	auxiliary-/Signal contact	2 x 4 mm ²
Protection class	I	
Degree of protection accd. to EN 60529	IP66	
Cable glands/enclosure drilling	M25 cable gland see ordering details M40 cable gland see ordering details M50 cable gland see ordering details Option: metal flange with 2 x thread	
Weight	approx. 7.25 kg	
Enclosure material	glass-fibre reinforced polyester	
Enclosure colour	black	
Aux. contact	1 x NO making - lagging; breaking - leading 1 x NC making - leading; breaking - lagging	
Safety interlock for electronics	1 x NO making - lagging; breaking - leading	
Padlocking facility	can be locked in OFF position with 3 commercially available padlocks (Ø max. 6 mm)	

¹⁾ Other ambient temperatures on request



3-pole, 80 A

Ordering details

Content	Cable gland	Order No.
Safety switch 80 A 3-pole Version with 2 auxiliary contacts (1 NO; 1 x NC), 1 x Safety interlock for electronics (1 x NO)		
3-pole	2 x M50 / 2 x M25	GHG 264 0024 R0001

Customized version on request, auxiliary contacts in Ex ia available

Accessories

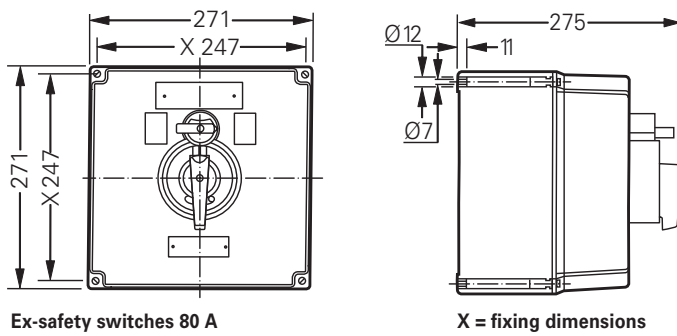
Type	Application	Fixing method	Order No.
Mounting plate for Ex-safety switches 80 A controlled three-phase drives			
Size 3	2 x pipe clamp	screw-on ¹⁾	GHG 610 1953 R0110

¹⁾ observe mounting distance

Type	OU	Order No.
Accessories for mounting plates		
Label holder with label (unlabelled) for mounting plate size 1, 2, 2A and 3	10	GHG 610 1953 R0057
Mounting set for pipes 1" (of 27 - 30 mm) for mounting plates with pipe fixing	10	GHG 610 1953 R0020

Please pay attention that only order units (OU) according to the ordering details can be delivered.

Dimension drawing



Ex-safety switches 80 A

X = fixing dimensions