

# EFD Series Manual Motor Starting Switches and Enclosures

Cl. I, Div. 1 & 2, Groups B\*, C, D  
 Cl. II, Div. 1, Groups E, F, G  
 Cl. II, Div. 2, Groups F, G  
 Cl. III  
 NEMA 3, 7B\*CD, 9EFG, 12

Explosionproof  
 Dust-Ignitionproof  
 Raintight  
 Wet Locations

**2C**

## Applications:

EFD manual motor starting and stopping switch enclosures are used:

- For manual starting of small AC or DC motors
- In locations made hazardous due to the presence of flammable vapors, gases or highly combustible dusts
- For installation at petroleum refineries, chemical and petrochemical plants and in other process industry facilities where similar hazards exist

## Features:

- Enclosure is small and compact
- Accurately ground flange on both body and cover for flame-tight joint
- Switch can be padlocked in either "ON" or "OFF" positions
- Dead end (EFD) or through feed (EFDC) hubs in 3/4" to 1" size

## Certifications and Compliances:

- NEC/CEC
  - Class I, Division 1 & 2, Groups B\*, C, D
  - Class II, Division 1, Groups E, F, G
  - Class II, Division 2, Groups F, G
  - Class III
- NEMA: 3, 7B\*CD, 9EFG, 12
- UL Standard: 1203
- CSA Standard: C22.2 No. 30

## Standard Materials:

- Bodies and covers – *Feraloy*® iron alloy
- Operating handle – type 6 / 6 nylon
- Operating shaft – stainless steel

## Standard Finishes:

- *Feraloy* iron alloy – electrogalvanized and aluminum acrylic paint
- Type 6 / 6 nylon – natural (black)
- Stainless steel – natural

## Options:

The following special options are available from factory by adding suffix to Cat. #:

<b>Description</b>	<b>Suffix</b>
For use in Group B hazardous areas	<b>GB*</b>



EFD dead end



EFDC through feed

## Electrical Ratings Without Overload Protection With Switches

Poles	Cat. #	Switch Ratings Amps		HP		
2	Square D Class 2510 Type KO-1	250VAC	600VAC	115VAC	230VAC	460-575VAC
		30	20	1	2	3
3	GE TC2368S	30A., 240VAC, 7-1 / 2 hp 20A., 600VAC, 15 hp				

## Ordering Information

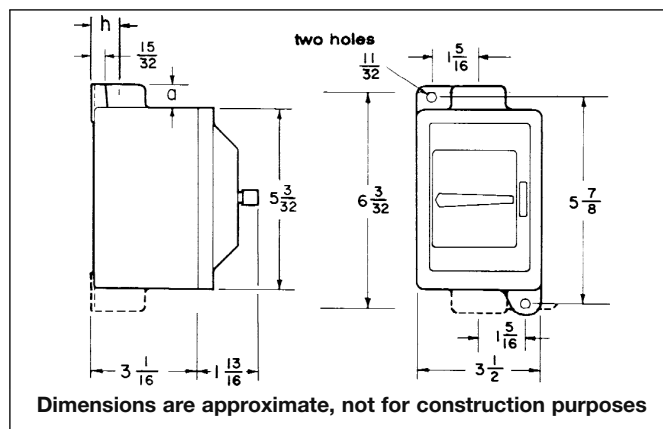
### Dead end

Poles	Hub Size in.	With Switch Cat. #
2	3/4	EFD218 T8 EFD318 T8
3	3/4	EFD2419 EFD3419

### Through feed

Poles	Hub Size in.	With Switch Cat. #
2	3/4	EFDC218 T8 EFDC318 T8
3	3/4	EFDC2419 EFDC3419

## Dimensions In Inches:



Hub Size	Dim. "h"	Dim. "a"
3/4	7/8	1 13/16
1	1	1 5/16

\*Add GB suffix. Seals must be installed within 1/2" of each conduit opening for Group B usage.

**2C**