

5C DSD-TS Series Timers

Cl. I, Div. 1 & 2, Groups C, D
 Cl. II, Div. 1 & 2, Groups E, F, G
 Cl. III

For use with Eaton's Crouse-Hinds EDS/EDSC back boxes (single and two-gang) and EDSCM modular control device bodies (up to nine-gang maximum). These bodies are to be ordered separately from the DSD-TS covers.

Applications:

- Provides automatic shut-off for fans, heaters, pumps, lights, and other energy consuming loads in Class I and Class II hazardous areas

Features:

- Spring wound, mechanical timer switch
- Copper-free aluminum covers

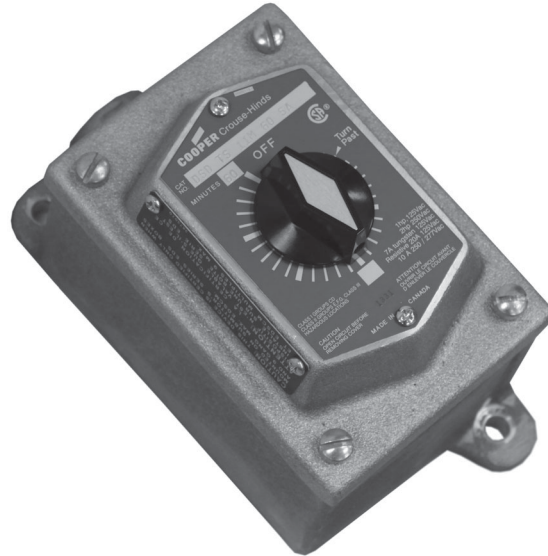
Certifications and Compliances:

- CSA certified per file LR5169
- Class I, Divisions 1 & 2, Groups C, D
- Class II, Divisions 1 & 2, Groups E, F, G
- Class III

NOTE: Suitable for use in Zone 1 and Zone 2 classified areas (gas groups IIB and IIA) as per Canadian Electrical Code, Part I, Section 18-100(a).

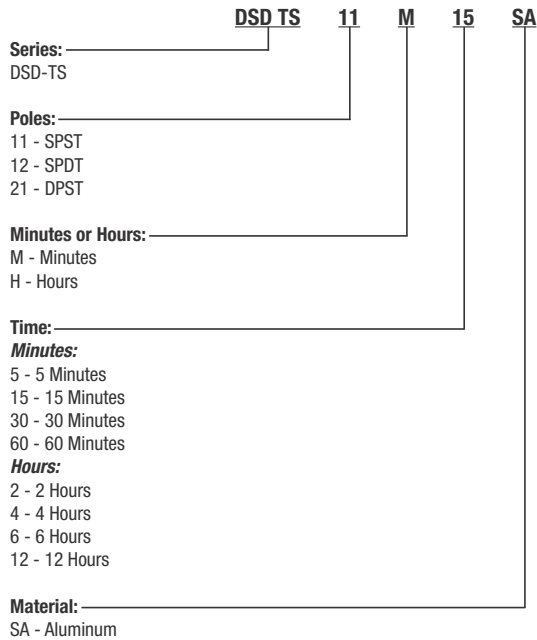
Electrical Ratings:

- 1 HP, 125 VAC max.
- 2 HP, 250 VAC max.
- 7A Tungsten, 125 VAC max.
- 20A resistive 125 VAC max.
- 10A resistive 250 VAC max.
- 10A resistive 277 VAC max.

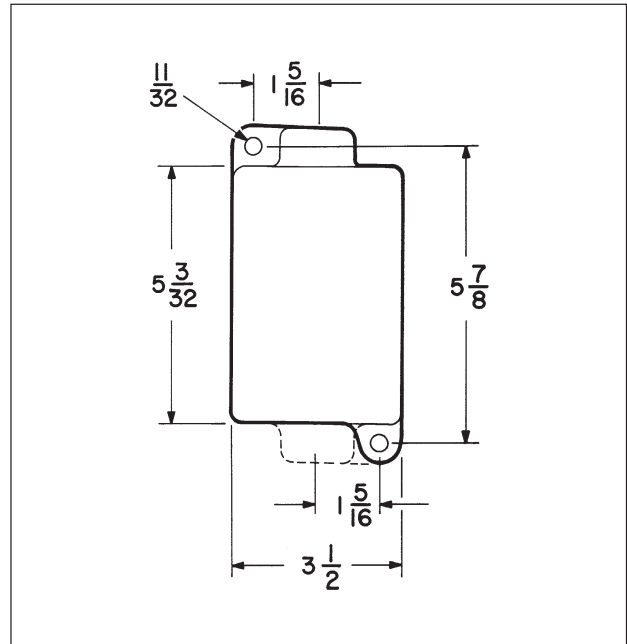


5C

Catalog Numbering Example:



Dimensions (in Inches):



Note: Depth is 5.5" from front of switch to back of box.