

Clamped EBMXD explosionproof disconnect switches

Cl. I, Div. 1 & 2, Groups B^A, C, D
Cl. I, Zones 1 & 2
Cl. II, Groups E, F, G
Cl. III
NEMA 3R, 4X, 7BCD, 9EFG

Explosionproof
Dust-ignitionproof

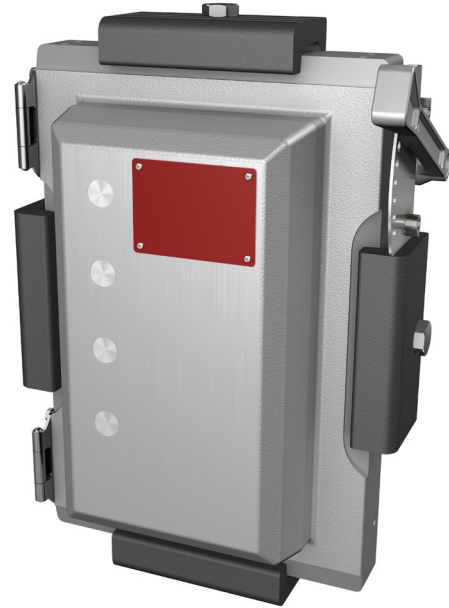
2A

Applications:

- Operating where flammable liquids or gases are handled, processed or used
- Damp, wet, dirty, dusty, hazardous areas where ultimate corrosion and ingress protection is required
- Harsh and hazardous motor control environments, including refineries, chemical and petrochemical plants, corrosive process facilities, food and beverage, marine and mining
- Motor disconnect with circuit protection for motor circuits, lighting, heating and appliance

Features:

- Clamped enclosure significantly reduces time to enter enclosure and reduces opportunity for missing, stripped or broken bolts
- 65 kAIC at 480V enclosure rating for high interrupting capacity applications
- -50°C to +60°C temperature range for extreme environments
- Fusible and non-fused designs for a variety of circuit protection
- Side operated handle provides visual confirmation of proper operator alignment while cover is open and can be padlocked in either "ON" or "OFF" positions for OSHA compliance
- Neoprene cover gasket provides NEMA 4X protection for hose down applications
- Maximum wiring room compliance with National Electrical Code requirements allows for easy and safe installation
- Rugged, corrosion-resistant, cast copper-free aluminum construction provides NEMA 4X protection
- Semi-clamshell enclosure design, with an external flanged ground joint between body and cover, provides increased access to interior components
- Minimum enclosure-to-enclosure spacing with little interference between the opened cover and adjacent enclosure
- Detachable tap-on mounting feet
- Steel brackets supplied standard for lifting during installation
- Bodies have top and bottom drilled and tapped entries for power and control conduits; removable reducers are supplied standard to accommodate smaller size conduits; all conduit entries are plugged



2A

Certifications and compliances:

NEC/CEC:

- Class I, Divisions 1 & 2, Groups B^A, C, D
- Class I, Zones 1 & 2
- Class II, Groups E, F, G
- Class III

UL standards:

- UL1203 – Explosionproof and Dust-ignitionproof Electrical Equipment for use in Hazardous (Classified) Locations
- UL2062 – High AIC Ratings for Groups C, D

Voltage (AC)	RMS symmetrical amperes
240, 480	65,000
600	35,000

CSA standard:

- cUL to CSA C22.2 No. 30

Additional certifications:

- UL/cUL certified for -50°C to +60°C
- SASO Certificate of Conformity

Environmental ratings:

- NEMA 3R, 4X, 7BCD, 9EFG

Standard materials:

- Body and cover – copper-free aluminum
- Clamp – anodized copper-free aluminum
- External hardware – stainless steel
- Internal parts – galvanized steel

^AHigh AIC and -50°C temperature certifications do not apply for Group B.

Clamped EBMXD explosionproof disconnect switches

Cl. I, Div. 1 & 2, Groups B[Ⓟ], C, D
Cl. I, Zones 1 & 2
Cl. II, Groups E, F, G
Cl. III
NEMA 3R, 4X, 7BCD, 9EFG

Explosionproof
Dust-ignitionproof

2A

Ordering information:

Part number example
EBMX1D-F030 S784

EBMX **1** **D** **-** **F** **030** **S784**

Series

EBMX	Hazardous rated enclosure with clamping technology
-------------	--

Type

F[Ⓟ]	Fused
N	Non-fused

Amperage

030	30A
060	60A
100	100A
200[Ⓟ]	200A

Function

D	Disconnect in clamped EBMX enclosure
----------	--------------------------------------

Enclosure size

1	All non-fused; 30A, 60A fused
2	100A fused
3	200A fused

Options[Ⓟ]

HT	+60°C enclosure rating
MT	-50°C enclosure rating
R11	Space heater, 25 watts, 120V
R22	Space heater, 25 watts, 240V
R44	Space heater, 25 watts, 480V
RLN	120V red LED light with "ON" legend plate
RLN2	240V red LED light with "ON" legend plate
RLN4	480V red LED light with "ON" legend plate
S214	External ground lug
S752	External epoxy coating
S753	Internal and external epoxy coating
S756V	Breather and drain, Class I, Groups B, C, D
S784	Auxiliary contact on switch: (1) NO & (1) NC
S785	Auxiliary contacts on switch: (2) NO & (2) NC
S786	12-point terminal block, 30A, 300V

Disconnect switch horsepower ratings, 3-pole:

Cat. #	Amperage	Fuse type	220-240 VAC	440-480 VAC	600 VAC	125 VDC	250 VDC
EBMX1D-N030	30		10	20	25		
EBMX1D-N060	60	N/A	20	40	50	N/A	N/A
EBMX1D-N100	100		25	50	50		
EBMX1D-F030	30	Class J [Ⓟ]	7.5	15	20	3	5
EBMX1D-F060	60		15	30	50	3	10
EBMX2D-F100	100		30	60	75	7.5	20
EBMX3D-F200	200		60	125	150	15	40

[Ⓟ]High AIC and -50°C temperature certifications do not apply for Group B.

[Ⓞ]Class J fuses not included.

[Ⓛ]Available in fused configuration only.

[Ⓟ]List selected options in alphanumeric order.

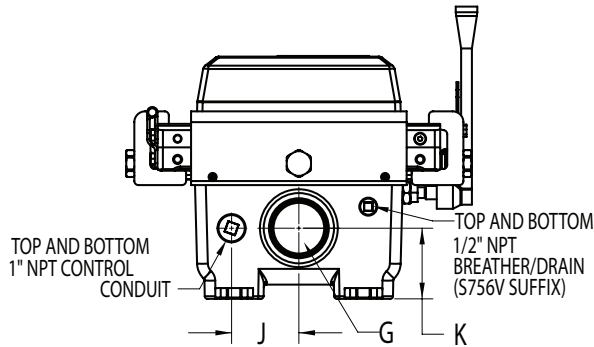
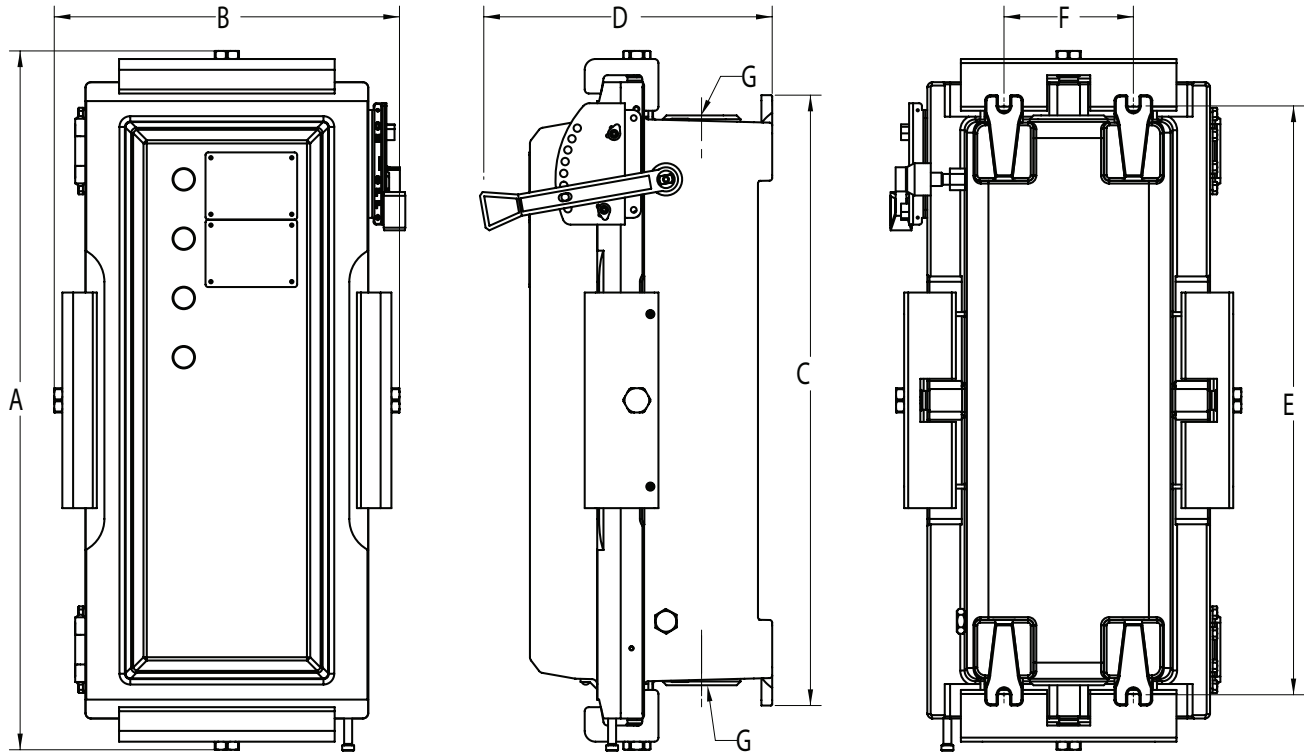
Clamped EBMXD explosionproof disconnect switches

Cl. I, Div. 1 & 2, Groups B, C, D
Cl. I, Zones 1 & 2
Cl. II, Groups E, F, G
Cl. III
NEMA 3R, 4X, 7BCD, 9EFG

Explosionproof
Dust-ignitionproof

2A

Dimensions (in inches):



Enclosure size	A	B	C	D	E	F	G		J	K
							Drilled and tapped	With reducer		
1	22.11	15.98	18.04	12.86	17.13	6.00	2 NPT	1.5 NPT	3.12	3.01
2	32.40	16.28	28.31	13.56	27.25	6.00	3 NPT	2.5 NPT	3.12	3.28
3	42.28	17.93	38.15	13.85	37.25	6.00	3 NPT	2.5 NPT	3.93	3.56

Ⓜ High AIC and -50°C temperature certifications do not apply for Group B.