

# Clamped EBMXD explosionproof disconnect switches

Cl. I, Div. 1 & 2, Groups B<sup>A</sup>, C, D  
Cl. I, Zones 1 & 2  
Cl. II, Groups E, F, G  
Cl. III  
NEMA 3R, 4X, 7BCD, 9EFG

Explosionproof  
Dust-ignitionproof

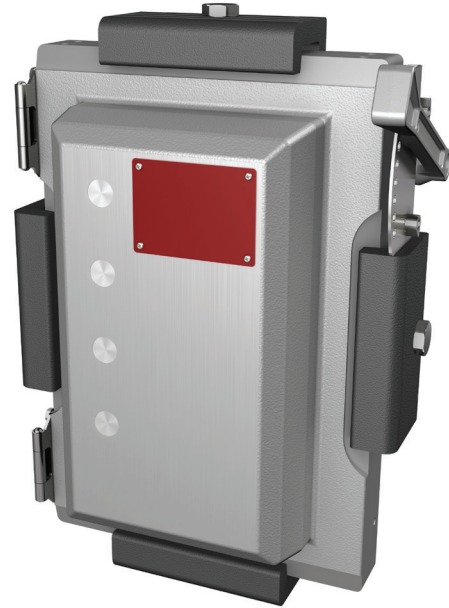
2A

## Applications:

- Operating where flammable liquids or gases are handled, processed or used
- Damp, wet, dirty, dusty, hazardous areas where ultimate corrosion and ingress protection is required
- Harsh and hazardous motor control environments, including refineries, chemical and petrochemical plants, corrosive process facilities, food and beverage, marine and mining
- Motor disconnect with circuit protection for motor circuits, lighting, heating and appliance

## Features:

- Clamped enclosure significantly reduces time to enter enclosure and reduces opportunity for missing, stripped or broken bolts
- 65kAIC at 480V enclosure rating for high interrupting capacity applications
- -50°C to +60°C temperature range for extreme environments
- Fusible and non-fused designs for a variety of circuit protection
- Side operated handle provides visual confirmation of proper operator alignment while cover is open and can be padlocked in either "ON" or "OFF" positions for OSHA compliance
- Neoprene cover gasket provides NEMA 4X protection for hose down applications
- Maximum wiring room compliance with National Electrical Code requirements allows for easy and safe installation
- Rugged, corrosion-resistant, cast copper-free aluminum construction provides NEMA 4X protection
- Semi-clamshell enclosure design, with an external flanged ground joint between body and cover, provides increased access to interior components
- Minimum enclosure-to-enclosure spacing with little interference between the opened cover and adjacent enclosure
- Detachable tap-on mounting feet
- Steel brackets supplied standard for lifting during installation
- Bodies have top and bottom drilled and tapped entries for power and control conduits; removable reducers are supplied standard to accommodate smaller size conduits; all conduit entries are plugged



2A

## Certifications and compliances:

### NEC/CEC:

- Class I, Divisions 1 & 2, Groups B<sup>A</sup>, C, D
- Class I, Zones 1 & 2
- Class II, Groups E, F, G
- Class III

### UL standards:

- UL1203 – Explosionproof and Dust-ignitionproof Electrical Equipment for use in Hazardous (Classified) Locations
- UL2062 – High AIC Ratings for Groups C, D

Voltage (AC)	RMS symmetrical amperes
240, 480	65,000
600	35,000

### CSA standard:

- cUL to CSA C22.2 No. 30

### Additional certifications:

- UL/cUL certified for -50°C to +60°C
- SASO Certificate of Conformity

### Environmental ratings:

- NEMA 3R, 4X, 7BCD, 9EFG

## Standard materials:

- Body and cover – copper-free aluminum
- Clamp – anodized copper-free aluminum
- External hardware – stainless steel
- Internal parts – galvanized steel

<sup>A</sup>High AIC and -50°C temperature certifications do not apply for Group B.

# Clamped EBMXD explosionproof disconnect switches

Cl. I, Div. 1 & 2, Groups B<sup>Ⓟ</sup>, C, D  
Cl. I, Zones 1 & 2  
Cl. II, Groups E, F, G  
Cl. III  
NEMA 3R, 4X, 7BCD, 9EFG

Explosionproof  
Dust-ignitionproof

2A

## Ordering information:

Part number example  
**EBMX1D-F030 S784**

**EBMX**    **1**    **D**    **-**    **F**    **030**    **S784**

### Series

**EBMX** Hazardous rated enclosure with clamping technology

### Type

**F<sup>Ⓞ</sup>** Fused  
**N** Non-fused

### Amperage

**030** 30A  
**060** 60A  
**100** 100A  
**200<sup>Ⓞ</sup>** 200A

### Function

**D** Disconnect in clamped EBMX enclosure

### Enclosure size

**1** All non-fused; 30A, 60A fused  
**2** 100A fused  
**3** 200A fused

### Options<sup>Ⓟ</sup>

<b>HT</b>	+60°C enclosure rating
<b>MT</b>	-50°C enclosure rating
<b>R11</b>	Space heater, 25 watts, 120V
<b>R22</b>	Space heater, 25 watts, 240V
<b>R44</b>	Space heater, 25 watts, 480V
<b>RLN</b>	120V red LED light with "ON" legend plate
<b>RLN2</b>	240V red LED light with "ON" legend plate
<b>RLN4</b>	480V red LED light with "ON" legend plate
<b>S214</b>	External ground lug
<b>S752</b>	External epoxy coating
<b>S753</b>	Internal and external epoxy coating
<b>S756V</b>	Breather and drain, Class I, Groups B, C, D
<b>S784</b>	Auxiliary contact on switch: (1) NO & (1) NC
<b>S785</b>	Auxiliary contacts on switch: (2) NO & (2) NC
<b>S786</b>	12-point terminal block, 30A, 300V

## Disconnect switch horsepower ratings, 3-pole:

Cat. #	Amperage	Fuse type	220-240 VAC	440-480 VAC	600 VAC	125 VDC	250 VDC
EBMX1D-N030	30		10	20	25		
EBMX1D-N060	60	N/A	20	40	50	N/A	N/A
EBMX1D-N100	100		25	50	50		
EBMX1D-F030	30	Class J <sup>Ⓞ</sup>	7.5	15	20	3	5
EBMX1D-F060	60		15	30	50	3	10
EBMX2D-F100	100		30	60	75	7.5	20
EBMX3D-F200	200		60	125	150	15	40

<sup>Ⓟ</sup>High AIC and -50°C temperature certifications do not apply for Group B.

<sup>Ⓞ</sup>Class J fuses not included.

<sup>Ⓞ</sup>Available in fused configuration only.

<sup>Ⓟ</sup>List selected options in alphanumeric order.

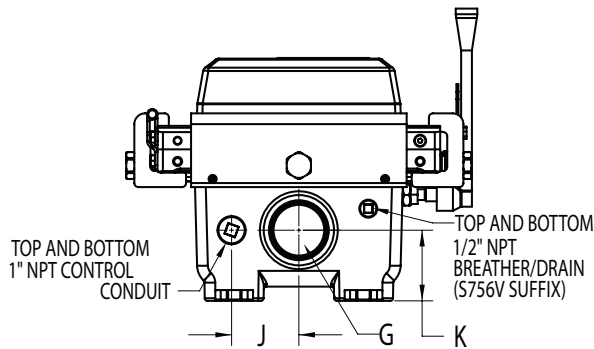
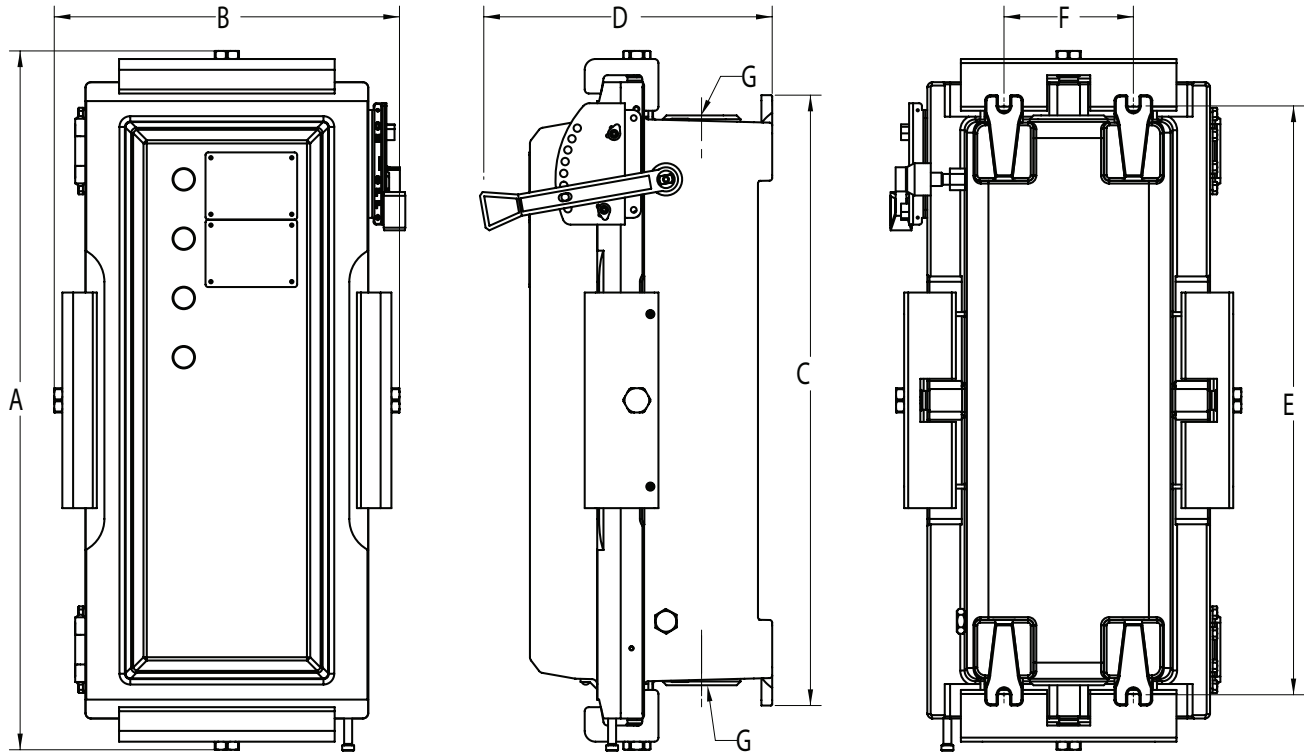
# Clamped EBMXD explosionproof disconnect switches

Cl. I, Div. 1 & 2, Groups B, C, D  
Cl. I, Zones 1 & 2  
Cl. II, Groups E, F, G  
Cl. III  
NEMA 3R, 4X, 7BCD, 9EFG

Explosionproof  
Dust-ignitionproof

2A

## Dimensions (in inches):



Enclosure size	A	B	C	D	E	F	G		J	K
							Drilled and tapped	With reducer		
1	22.11	15.98	18.04	12.86	17.13	6.00	2 NPT	1.5 NPT	3.12	3.01
2	32.40	16.28	28.31	13.56	27.25	6.00	3 NPT	2.5 NPT	3.12	3.28
3	42.28	17.93	38.15	13.85	37.25	6.00	3 NPT	2.5 NPT	3.93	3.56

High AIC and -50°C temperature certifications do not apply for Group B.