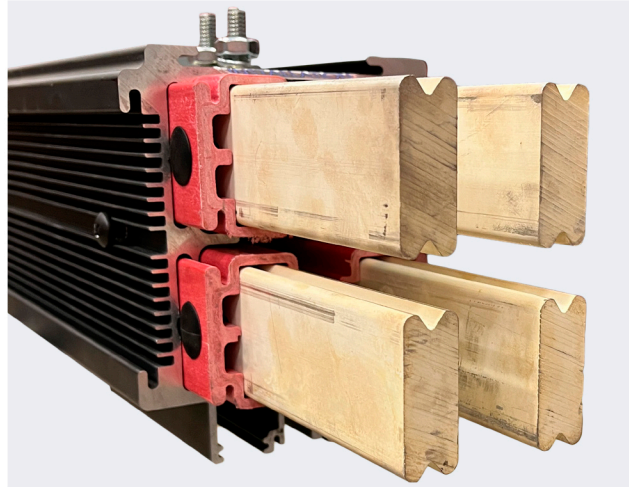


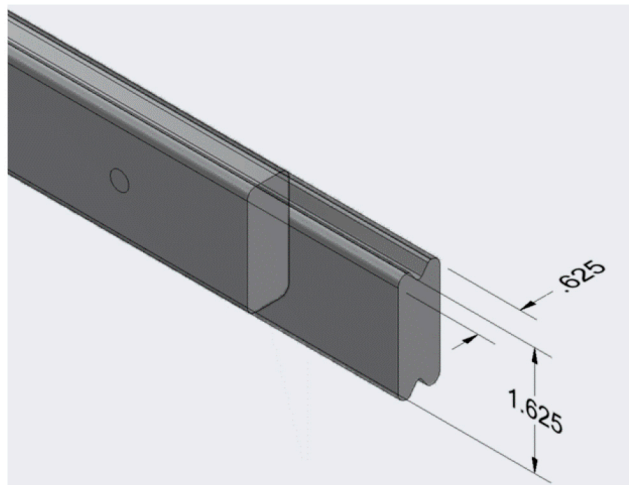
## Eaton Installation Notice

### 600 A PowerWave 2 Bus Rails

600 A PowerWave 2 bus rails have undergone a redesign, featuring a notched profile that reduces rail weight, allowing for easier installation and less strain on the building infrastructure. Most importantly, the notched bus rails will seamlessly integrate with the original, un-notched bus design without any complications



600 A notched bus rail



Notched and un-notched bus bars mate together with no complications

**Eaton**  
1000 Eaton Boulevard  
Cleveland, OH 44122  
United States  
Eaton.com

© 2024 Eaton  
All Rights Reserved  
SA017008EN/wB  
January 2024

Eaton is a registered trademark.  
All other trademarks are property  
of their respective owners.

Follow us on social media to get the  
latest product and support information.

