

Automatic Power Transfer Devices

# MATS PC Dual Source Automatic Transfer Switch MATSN Series



**EATON**

*Powering Business Worldwide*



# Energizing a world that demands more.

## We deliver:

- **Electrical solutions** that use less energy, improve power reliability and make the places we live and work safer and more comfortable
- **Hydraulic and electrical solutions** that enable machines to deliver more productivity without wasting power
- **Aerospace solutions** that make aircraft lighter, safer and less costly to operate, and help airports operate more efficiently
- **Vehicle drivetrain and powertrain solutions** that deliver more power to cars, trucks and buses, while reducing fuel consumption and emissions

Discover today's Eaton.

**EATON**

*Powering Business Worldwide*

---

MATSN Series Dual Source Automatic Transfer Switches



**Contents**

Description	Page
MATSN Series Dual Source Automatic Transfer Switches	
General Features.....	4
Product Selection.....	5
Technical Data.....	7
Electrical Wirings.....	10
Type H Separate Controller.....	11
Mounting Dimensions.....	12
Selection Guide.....	13

# MATSN Series Dual Source Automatic Transfer Switches

## General Features

### General Features



#### Standards

- GB 14048.1 General
- GB/T 14048.11 Transfer Switching Equipment
- IEC 60947-1 General
- IEC 60947-6-1 Transfer Switching Equipment

#### Certifications

- CCC certification
- CB certification

#### Equipment Class

- PC class dedicated transferring switch equipment, excitation drive

#### Operating Conditions

- -10 to 55°C for operation
- ≤95% for relative humidity of the air when the maximum temperature is +55°C
- -15 to 65°C for storage
- ≤2000m for altitude height

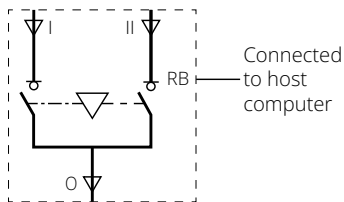
#### Pollution Level

- Operate in Pollution Level III environments

#### Utilization Category

- AC-33B/AC-33iB/AC-33iA (CCC)
- AC-33B (CB)

### Design Legends



#### In the design legends:

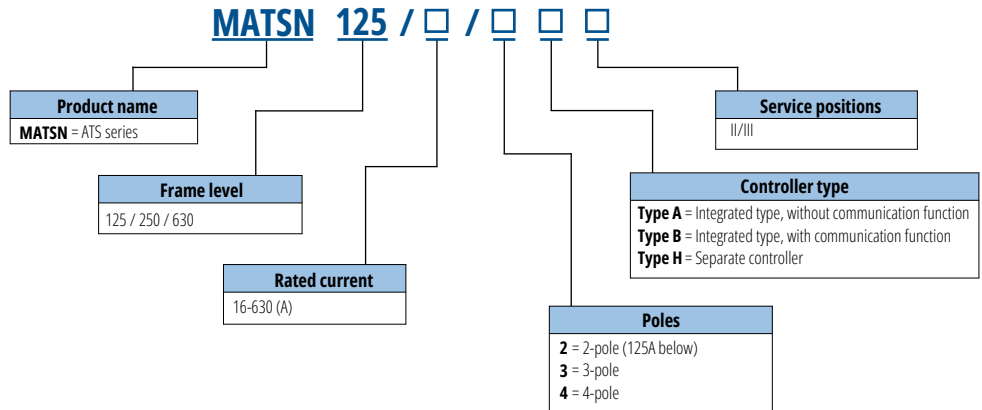
- “I”: Source I input end
- “II”: Source II input end
- “O”: Power source output end
- “RB”: RS485 communication interface

## Product Selection

### MATSN series



### MATSN Series Type Selection Description



## Controller Types

### Type A Controllers

#### Fire work interlocking function:

- In the event that the fire work interlocking signal contact is closed, both power sources will enter into the Open states, and the dual-source Open state output contacts will be closed. If the fire work interlocking signal contact is opened, both sources can be switched back from the Open state by re-powering on, or performing an Automatic-Manual-Automatic transfer operation.
- The fire work interlocking signal is a passive contact signal.

**Note:** The fire work interlocking function is not available for II-position products.

#### Generator start/stop function:

- By default, Line 1 is Source 1 (S1); the self-generated power is connected to II, which is identified as Source II (SII) by default. Connect the generator starting power (DC24V) to the corresponding terminal of the terminal block on the side, and connect the generator starting terminal on the dual source device to the generator starting device. In case of S1 source faults, the dual source device sends a signal to start the generator, and automatically transfer back to the self-generated power when it's normal. The device will automatically transfer back to the S1 source when it recovers.
- Passive digital signal outputs, with the terminal capacity of AC 220V and 1A.

#### Position feedback:

- The device is equipped with Source I position, Source II position and dual-source Open position feedback contacts, to provide passive digital signal output indication when the switch is in different positions.

**Note:** Dual-source Open position feedback function is not available for II-position products.

#### Operating mode selection function:

- Supports on-site selection of the operating modes including automatically transfer and restore operation, automatically transfer and nonautomatically restore operation, mutual-backup operation, and utility-generator modes.

### Type B Controllers

Equipped with all the functions offered by Type A controllers, and additional communication function:

- RS485 interface, with Modbus communication protocol.
- Enables remote communication, remote measurement, remote adjustment, and remote control.

### Type H Controllers

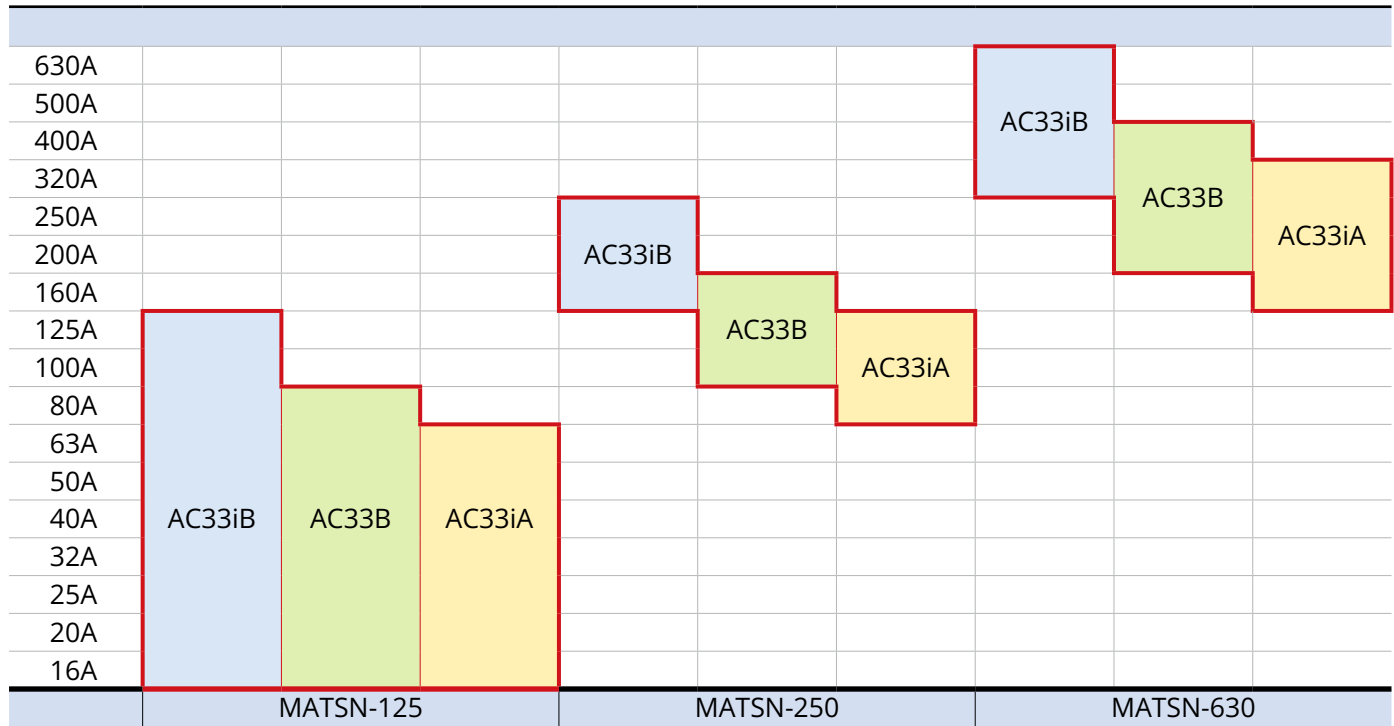
Separate mounting, equipped with all the functions offered by Type B controllers, and added functions, including:

- Fault alarm.
- In the event of dual-source faults, the system outputs a set of alarm signals (passive NO contact outputs, with contact capacity of AC220V and 1A).
- Load shredding.
- Support non-standard customization per user request.
- The split controller cable is configured with 1.5 meters as standard.

# MATSN Series Dual Source Automatic Transfer Switches

## Product Selection

### Product Selection



## Product Performance and Specifications

Type and Specifications	CCC CB	MATSN-125 MATSN-125	MATSN-250 MATSN-250	MATSN-630 MATSN-400	
No. of poles		2,3,4	3,4	3,4	
No. of positions		II, III	II, III	II, III	
<b>Controller</b>					
Controller type		A/B/H	A/B/H	A/B/H	
Rated current (A)	In	CCC	16/20/32/40/50/63/80/100/125	100/125/160/200/250	200/250/320/400/500/630
		CB	16/20/32/40/50/63/80	100/125/160	200/250/315/400
Rated insulation voltage (V)	Ui	800	800	1000	
Rated impulse withstand voltage (kV)	Uimp	8	8	12	
Rated operating voltage (V)	Ue	AC50/60Hz	220(2P) 400(3P,4P)	400	
Rated short time withstand current (kA)	Icw	5kA/60ms	10kA/60ms	12.6kA/60ms	
Rated short time making capacity (kA)	Icm	7.65	17.24	25.55	
Rated limited short circuit current (kA)	Iq	Fuse	80(2P) 100(3P,4P)	100	120
		Circuit breaker	36(2P) 70(3P,4P)	70	90
Utilization category		AC-33iB(16--125A) AC-33B(16--80A) AC-33iA(16--63A)	AC-33iB(100--250A) AC-33B(100--160A) AC-33iA(100--160A)	AC-33iB(200--800A) AC-33B(200--500A) AC-33iA(200--400A)	
Contact transfer time			< 100		
Mechanical life <sup>1</sup>		10000	10000	10000	
Electrical life <sup>1</sup>		6000	6000	6000	
Pollution level			III		
<b>Mounting and wiring</b>					
Fixed / front panel wiring		■	■	■	

Notes: With maintenance included.

# MATSN Series Dual Source Automatic Transfer Switches

## Technical Data

### Controller Functions

Controller	Type A	Type B	Type H
Mounting method	Integrated type	Integrated type	Separate type
Frequency	50Hz/60Hz	50Hz/60Hz	50Hz/60Hz
<b>II service positions</b>			
Source 1 (S1) closed	■	■	■
Source II (SII) closed	■	■	■
<b>II service positions</b>			
Source 1 closed	■	■	■
Source II closed	■	■	■
<b>Dual-source open</b>			
Operating mode			
Automatic operation	■	■	■
Manual operation	■	■	■
Communication remote control	-	■	■
<b>Automatic operation</b>			
Monitoring S1 under voltage	■	■	■
Monitoring S1 over voltage	■	■	■
Monitoring S1 voltage loss	■	■	■
Monitoring S1 phase failure	■	■	■
Monitoring SII under voltage	■	■	■
Monitoring SII over voltage	■	■	■
Monitoring SII voltage loss	■	■	■
Monitoring SII phase failure	■	■	■
Generator start/stop control	■	■	■
Fire signal to cut off non-fire source	■	■	■
Operating mode selection			
Automatically transfer and restore operation/ Automatically transfer and nonautomatically restore operation/Mutual-backup operation/Utility-generator	■	■	■

Controller	Type A	Type B	Type H
<b>Display</b>			
S1 source operating indication	■	■	■
SII source operating indication	■	■	■
S1 source fault indication	■	■	■
SII source fault indication	■	■	■
Fire work interlocking indication	■	■	■
Power source indication	■	■	■
Operating mode	■	■	■
Delay time selection	■	■	■
Display method	LED	LED	LCD
<b>Parameter setting</b>			
Delay time setting	0,2,4,6,10,15,20,30s	0,2,4,6,10,15,20,30s	0-255s
Operating mode setting	■	■	■
Under voltage action range (±5) (V)	170	145 – 200 (continuously adjustable)	145 – 200 (continuously adjustable)
Under voltage recovery range (±5) (V)	190	160 – 220 (continuously adjustable)	160 – 220 (continuously adjustable)
Over voltage action range (±5) (V)	270	240 – 300 (continuously adjustable)	240 – 300 (continuously adjustable)
Over voltage recovery range (±5) (V)	250	220 – 285 (continuously adjustable)	220 – 285 (continuously adjustable)
<b>Other functions</b>			
Fire work interlocking input	■	■	■
Position feedback output	■	■	■
Communication function	-	■	■
Automatic / manual transfer	■	■	■
Test function	■	■	■
Load shredding	-	-	■
Support non-standard customization	-	-	■

**Note:** The difference between the under voltage recovery value and under voltage action value, and the difference between the over voltage action value and over voltage recovery value must both exceed 15V, otherwise the setting is invalid. Both over voltage and under voltage ranges are adjustable for Type B controllers via communication only, and Type H via both local operations and communication.



## Controller Display Functions



**1 Manual Operation Section**, including an operating handle, to perform a manual closing operation of Line I/II sources according to user selections.

**Note:** Remove the operating handle after completing the manual closing operation, and put it back to its original place.

**2 Manual Opening Button (Only position III)**

**3 Position selection toggle:** Three levels are available for selection, corresponding to Automatic operation, Manual SI and Manual SII. After the manual position is selected, the manual closing operation can be performed through subsequent operations in the Manual Operation Section

**4 Power Source Status Feedback Indication**

**5 Function Setting Section**

Includes test function, reset function, operating mode setting, delay time setting, and communication setting (from left to right).

### Test function:

The Test function can be used to check whether the product can be switched normally after powered up. Make sure to put the switch in the automatic operating status and Source I in closed position, under the condition that Source I is normal.

Press the Test button, and the switch will complete an Ion-O-Ilon-O-Ion operation cycle.

### Reset function:

Reset button: Press the Reset button, and the controller will reset the restart procedure. After trouble shooting, press the Reset button to enter into a new round of signal detection and judgement.

### Parameter settings:

Operating mode setting			Delay time setting			
1	2	Operating mode	3	4	5	Delay time
OFF	OFF	Automatically transfer and restore operation	OFF	OFF	OFF	0
ON	OFF	Automatically transfer and nonautomatically restore operation	ON	OFF	OFF	2
OFF	ON	Utility-generator mode <sup>1</sup>	OFF	ON	OFF	4
ON	ON	Mutual backup operation	ON	ON	OFF	6
			OFF	OFF	ON	10
			ON	OFF	ON	15
			OFF	ON	ON	20
			ON	ON	ON	30

Notes: (1) In the utility-generator mode, the system defaults to Automatically transfer and restore operation.

Address	Dial switch setting	Address	Dial switch setting
001	1 0 [1][2][3][4][5][6][7][8]	004	1 0 [1][2][3][4][5][6][7][8]
002	1 0 [1][2][3][4][5][6][7][8]	⋮	⋮
003	1 0 [1][2][3][4][5][6][7][8]	247	1 0 [1][2][3][4][5][6][7][8]

**6 Product QR Code:** Links to corresponding product leaflet.

**7 LED Indicator Section**

Indicator status:

Indicator	Status	Message
S1 source status	Remain lit on Flashing Not lit on	SB I normal S I over voltage S I phase loss or under voltage
S2 source status	Remain lit on Flashing Not lit on	SII normal SII over voltage SII phase loss or under voltage
S1 closing status	Remain lit on Not lit on	SI closed SI open
S2 closing status	Remain lit on Not lit on	SII closed SII open
Communication	Remain lit on Not lit on	Communication normal No communication
Fire work interlock	Remain lit on Not lit on	Fire work signal received Fire work signal not received
Alarm	Remain lit on Not lit on	Internal fault detected No fault
Automatic	Remain lit on Not lit on Flashing	Automatic mode Manual mode Remote manual mode

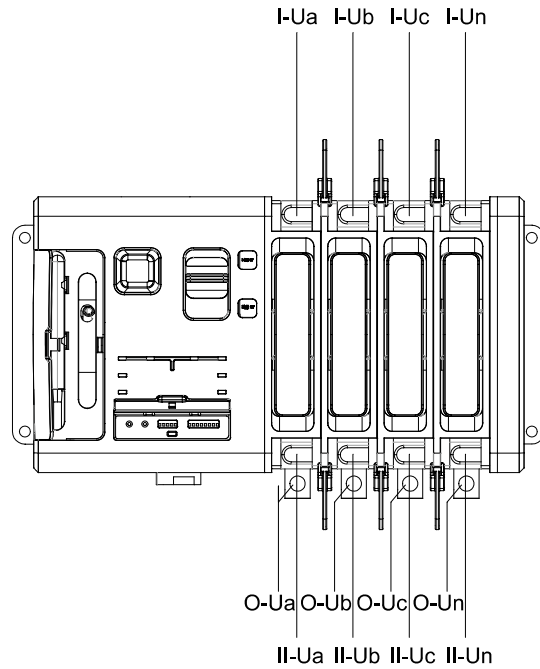
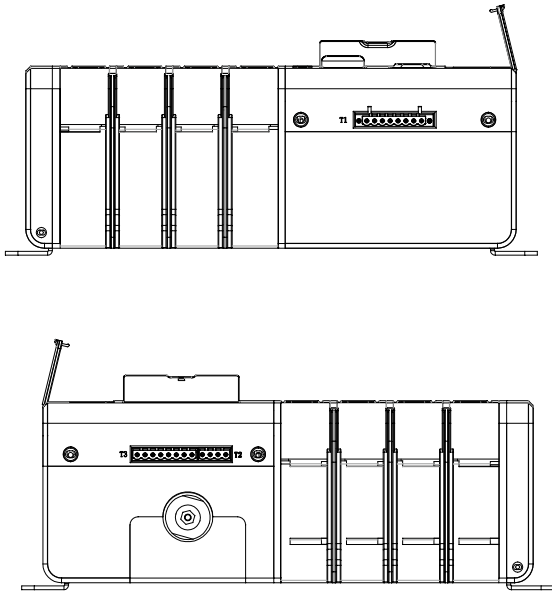
**8 Interphase Partition**

**9 Main Wiring Section**

# MATSN Series Dual Source Automatic Transfer Switches

## Electrical Wirings

### Electrical Wiring



#### III-position products – T1 terminals

1	2	3	4	5	6	7	8
N1	S1	S2	S3	S4	Nc	Nc	Nc
Ground (3P)	S1 position feedback (passive)	S2 position feedback (passive)	Reserved				

#### II-position products – T1 terminals

1	2	3	4	5	6	7	8
N1	S1	S2	S3	S4	Nc	Nc	Nc
Ground (3P)	S1 position feedback (passive)	S2 position feedback (passive)	Reserved				

#### III-position products – T2 terminals

1	2	3	4
S1	S2	X3	X4
Dual-source open position feedback (passive)		Fire work interlock (passive)	

#### II-position products – T2 terminals

1	2	3	4
Na	Na	Na	Na
Reserved		Reserved	

#### III-position products – T3 terminals

1	2	3	4	5	6	7	8
DC24+	DC24-	Q1	Q2	DC5V	GND	A	B
Utility - generator mode DC24V source		Utility - generator mode Generator starting signal		Separate controller source <sup>1</sup>		485 communication interface	

#### II-position products – T3 terminals

1	2	3	4	5	6	7	8
DC24+	DC24-	Q1	Q2	DC5V	GND	A	B
Utility - generator mode DC24V source		Utility - generator mode Generator starting signal		Separate controller source <sup>1</sup>		485 communication interface	

Notes: (1) The split controller cable is configured with 1.5 meters as standard.



Type H Separate Controller

## Key Operation Description

### Key functions:

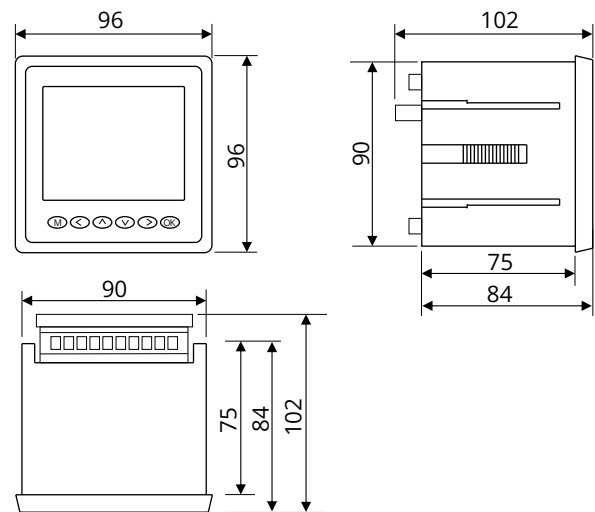
- Ⓜ Menu key: Enter or exit from the Setup Interface. On the Menu Interface, press it to return to the previous menu.
- ⏪ Left key: Select the previous data bit or move the cursor left
- ⏩ Up key: Increase the data at the cursor bit by one or move the cursor up
- ⏴ Down key: Decrease the data at the cursor bit by one or move the cursor down
- ⏴ Right key: Select the next data bit or move the cursor right
- Ⓜ OK key: Confirm and enter the interface, or save and enter the next interface

### Key combinations and functions:

Menu item selection operation: Press ⏩ and ⏴ to select menu items. Then press Ⓜ to enter the corresponding menu item interface.

Parameter editing operation: Press ⏪ and ⏴ to select the digit you want to edit. Then, press ⏩ and ⏴ to modify the numeric data of the selected digit bit. Press Ⓜ to save the data, and enter the next menu. If the Ⓜ key is pressed, discard changes and return to the previous menu.

## Outline Dimensions and Mounting



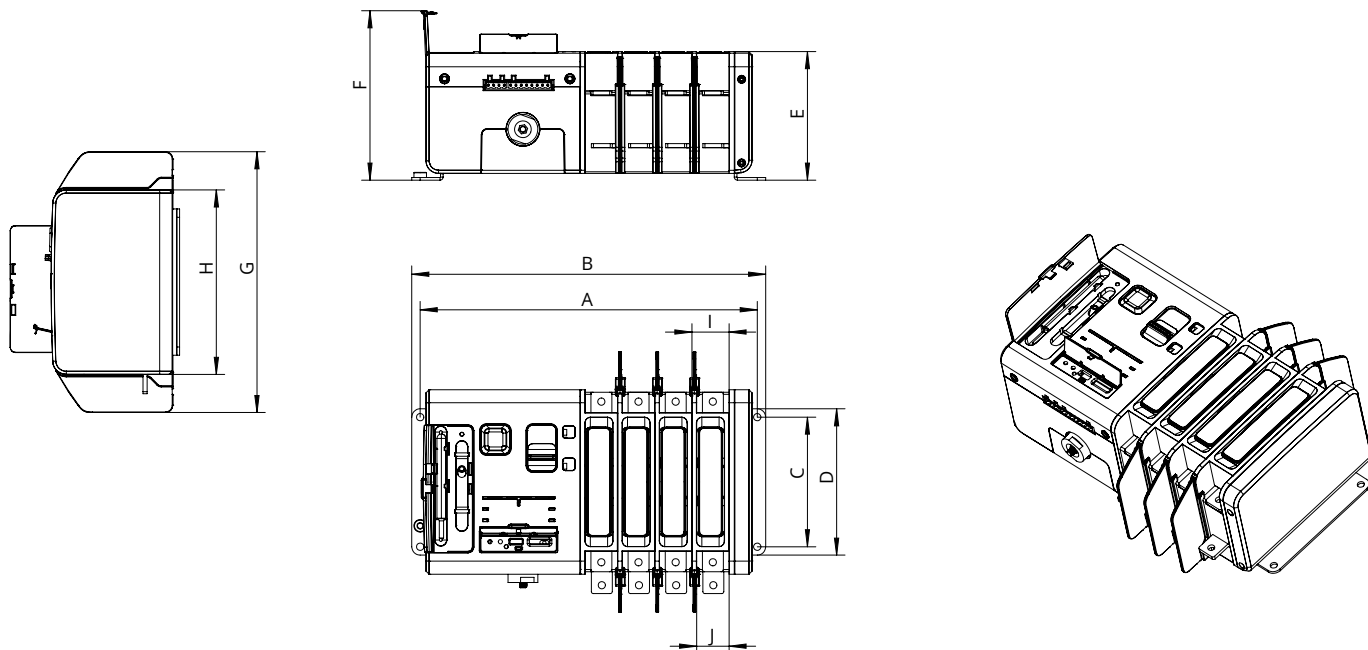
Cut out a square hole of 92x92mm on the mounting panel, and put the Type H controller in from the front. Then, fasten it from the back of the panel with a locking slider, which requires no additional fixing structures and fasteners.

# MATSN Series Dual Source Automatic Transfer Switches

## Mounting Dimensions

### Mounting Dimensions

Unit: mm



**Outline and mounting dimensions (mm)**

Type and specifications		A	B	C	D	E	F	G	H	I	J
MATSN-125	2P	241.5	258	124	140	123	163	250	177	30.5	26
MATSN-125	3P	272	288	124	140	123	163	250	177	30.5	26
MATSN-125	4P	302.5	319	124	140	123	163	250	177	30.5	26
MATSN-250	3P	287	303	124	140	123	163	250	177	35.5	31
MATSN-250	4P	322.5	339	124	140	123	163	250	177	35.5	31
MATSN-630	3P	416	436	159	179	141	180	430	221	62	48
MATSN-630	4P	478	498	159	179	141	180	430	221	62	48

## MATSN Series Dual Source Automatic Transfer Switches Selection Guide

Product Description	Part No.	Article No.
16A,2P,Controller type A, II positions	CSM01669	MATSN-125/16/2A II -EN
20A,2P,Controller type A, II positions	CSM01670	MATSN-125/20/2A II -EN
25A,2P,Controller type A, II positions	CSM01671	MATSN-125/25/2A II -EN
32A,2P,Controller type A, II positions	CSM01672	MATSN-125/32/2A II -EN
40A,2P,Controller type A, II positions	CSM01673	MATSN-125/40/2A II -EN
50A,2P,Controller type A, II positions	CSM01674	MATSN-125/50/2A II -EN
63A,2P,Controller type A, II positions	CSM01675	MATSN-125/63/2A II -EN
80A,2P,Controller type A, II positions	CSM01676	MATSN-125/80/2A II -EN
16A,3P,Controller type A, II positions	CSM01677	MATSN-125/16/3A II -EN
20A,3P,Controller type A, II positions	CSM01678	MATSN-125/20/3A II -EN
25A,3P,Controller type A, II positions	CSM01679	MATSN-125/25/3A II -EN
32A,3P,Controller type A, II positions	CSM01680	MATSN-125/32/3A II -EN
40A,3P,Controller type A, II positions	CSM01681	MATSN-125/40/3A II -EN
50A,3P,Controller type A, II positions	CSM01682	MATSN-125/50/3A II -EN
63A,3P,Controller type A, II positions	CSM01683	MATSN-125/63/3A II -EN
80A,3P,Controller type A, II positions	CSM01684	MATSN-125/80/3A II -EN
100A,3P,Controller type A, II positions	CSM01685	MATSN-250/100/3A II -EN
125A,3P,Controller type A, II positions	CSM01686	MATSN-250/125/3A II -EN
160A,3P,Controller type A, II positions	CSM01687	MATSN-250/160/3A II -EN
200A,3P,Controller type A, II positions	CSM01688	MATSN-400/200/3A II -EN
250A,3P,Controller type A, II positions	CSM01689	MATSN-400/250/3A II -EN
320A,3P,Controller type A, II positions	CSM01690	MATSN-400/320/3A II -EN
400A,3P,Controller type A, II positions	CSM01691	MATSN-400/400/3A II -EN
16A,4P,Controller type A, II positions	CSM01692	MATSN-125/16/4A II -EN
20A,4P,Controller type A, II positions	CSM01693	MATSN-125/20/4A II -EN
25A,4P,Controller type A, II positions	CSM01694	MATSN-125/25/4A II -EN
32A,4P,Controller type A, II positions	CSM01695	MATSN-125/32/4A II -EN
40A,4P,Controller type A, II positions	CSM01696	MATSN-125/40/4A II -EN
50A,4P,Controller type A, II positions	CSM01697	MATSN-125/50/4A II -EN
63A,4P,Controller type A, II positions	CSM01698	MATSN-125/63/4A II -EN
80A,4P,Controller type A, II positions	CSM01699	MATSN-125/80/4A II -EN
100A,4P,Controller type A, II positions	CSM01700	MATSN-250/100/4A II -EN
125A,4P,Controller type A, II positions	CSM01701	MATSN-250/125/4A II -EN
160A,4P,Controller type A, II positions	CSM01702	MATSN-250/160/4A II -EN
200A,4P,Controller type A, II positions	CSM01703	MATSN-400/200/4A II -EN
250A,4P,Controller type A, II positions	CSM01704	MATSN-400/250/4A II -EN
320A,4P,Controller type A, II positions	CSM01705	MATSN-400/320/4A II -EN
400A,4P,Controller type A, II positions	CSM01706	MATSN-400/400/4A II -EN
16A,2P,Controller type B, II positions	CSM01707	MATSN-125/16/2B II -EN
20A,2P,Controller type B, II positions	CSM01708	MATSN-125/20/2B II -EN
25A,2P,Controller type B, II positions	CSM01709	MATSN-125/25/2B II -EN
32A,2P,Controller type B, II positions	CSM01710	MATSN-125/32/2B II -EN
40A,2P,Controller type B, II positions	CSM01711	MATSN-125/40/2B II -EN
50A,2P,Controller type B, II positions	CSM01712	MATSN-125/50/2B II -EN
63A,2P,Controller type B, II positions	CSM01713	MATSN-125/63/2B II -EN
80A,2P,Controller type B, II positions	CSM01714	MATSN-125/80/2B II -EN
16A,3P,Controller type B, II positions	CSM01715	MATSN-125/16/3B II -EN
20A,3P,Controller type B, II positions	CSM01716	MATSN-125/20/3B II -EN
25A,3P,Controller type B, II positions	CSM01717	MATSN-125/25/3B II -EN
32A,3P,Controller type B, II positions	CSM01718	MATSN-125/32/3B II -EN
40A,3P,Controller type B, II positions	CSM01719	MATSN-125/40/3B II -EN
50A,3P,Controller type B, II positions	CSM01720	MATSN-125/50/3B II -EN
63A,3P,Controller type B, II positions	CSM01721	MATSN-125/63/3B II -EN
80A,3P,Controller type B, II positions	CSM01722	MATSN-125/80/3B II -EN
100A,3P,Controller type B, II positions	CSM01723	MATSN-250/100/3B II -EN
125A,3P,Controller type B, II positions	CSM01724	MATSN-250/125/3B II -EN
160A,3P,Controller type B, II positions	CSM01725	MATSN-250/160/3B II -EN
200A,3P,Controller type B, II positions	CSM01726	MATSN-400/200/3B II -EN
250A,3P,Controller type B, II positions	CSM01727	MATSN-400/250/3B II -EN
320A,3P,Controller type B, II positions	CSM01728	MATSN-400/320/3B II -EN

# MATSN Series Dual Source Automatic Transfer Switches

## Selection Guide

Product Description	Part No.	Article No.
400A,3P,Controller type B, II positions	CSM01729	MATSN-400/400/3B II -EN
16A,4P,Controller type B, II positions	CSM01730	MATSN-125/16/4B II -EN
20A,4P,Controller type B, II positions	CSM01731	MATSN-125/20/4B II -EN
25A,4P,Controller type B, II positions	CSM01732	MATSN-125/25/4B II -EN
32A,4P,Controller type B, II positions	CSM01733	MATSN-125/32/4B II -EN
40A,4P,Controller type B, II positions	CSM01734	MATSN-125/40/4B II -EN
50A,4P,Controller type B, II positions	CSM01735	MATSN-125/50/4B II -EN
63A,4P,Controller type B, II positions	CSM01736	MATSN-125/63/4B II -EN
80A,4P,Controller type B, II positions	CSM01737	MATSN-125/80/4B II -EN
100A,4P,Controller type B, II positions	CSM01738	MATSN-250/100/4B II -EN
125A,4P,Controller type B, II positions	CSM01739	MATSN-250/125/4B II -EN
160A,4P,Controller type B, II positions	CSM01740	MATSN-250/160/4B II -EN
200A,4P,Controller type B, II positions	CSM01741	MATSN-400/200/4B II -EN
250A,4P,Controller type B, II positions	CSM01742	MATSN-400/250/4B II -EN
320A,4P,Controller type B, II positions	CSM01743	MATSN-400/320/4B II -EN
400A,4P,Controller type B, II positions	CSM01744	MATSN-400/400/4B II -EN
16A,2P,Controller type H, II positions	CSM01745	MATSN-125/16/2H II -EN
20A,2P,Controller type H, II positions	CSM01746	MATSN-125/20/2H II -EN
25A,2P,Controller type H, II positions	CSM01747	MATSN-125/25/2H II -EN
32A,2P,Controller type H, II positions	CSM01748	MATSN-125/32/2H II -EN
40A,2P,Controller type H, II positions	CSM01749	MATSN-125/40/2H II -EN
50A,2P,Controller type H, II positions	CSM01750	MATSN-125/50/2H II -EN
63A,2P,Controller type H, II positions	CSM01751	MATSN-125/63/2H II -EN
80A,2P,Controller type H, II positions	CSM01752	MATSN-125/80/2H II -EN
16A,3P,Controller type H, II positions	CSM01753	MATSN-125/16/3H II -EN
20A,3P,Controller type H, II positions	CSM01754	MATSN-125/20/3H II -EN
25A,3P,Controller type H, II positions	CSM01755	MATSN-125/25/3H II -EN
32A,3P,Controller type H, II positions	CSM01756	MATSN-125/32/3H II -EN
40A,3P,Controller type H, II positions	CSM01757	MATSN-125/40/3H II -EN
50A,3P,Controller type H, II positions	CSM01758	MATSN-125/50/3H II -EN
63A,3P,Controller type H, II positions	CSM01759	MATSN-125/63/3H II -EN
80A,3P,Controller type H, II positions	CSM01760	MATSN-125/80/3H II -EN
100A,3P,Controller type H, II positions	CSM01761	MATSN-250/100/3H II -EN
125A,3P,Controller type H, II positions	CSM01762	MATSN-250/125/3H II -EN
160A,3P,Controller type H, II positions	CSM01763	MATSN-250/160/3H II -EN
200A,3P,Controller type H, II positions	CSM01764	MATSN-400/200/3H II -EN
250A,3P,Controller type H, II positions	CSM01765	MATSN-400/250/3H II -EN
320A,3P,Controller type H, II positions	CSM01766	MATSN-400/320/3H II -EN
400A,3P,Controller type H, II positions	CSM01767	MATSN-400/400/3H II -EN
16A,4P,Controller type H, II positions	CSM01768	MATSN-125/16/4H II -EN
20A,4P,Controller type H, II positions	CSM01769	MATSN-125/20/4H II -EN
25A,4P,Controller type H, II positions	CSM01770	MATSN-125/25/4H II -EN
32A,4P,Controller type H, II positions	CSM01771	MATSN-125/32/4H II -EN
40A,4P,Controller type H, II positions	CSM01772	MATSN-125/40/4H II -EN
50A,4P,Controller type H, II positions	CSM01773	MATSN-125/50/4H II -EN
63A,4P,Controller type H, II positions	CSM01774	MATSN-125/63/4H II -EN
80A,4P,Controller type H, II positions	CSM01775	MATSN-125/80/4H II -EN
100A,4P,Controller type H, II positions	CSM01776	MATSN-250/100/4H II -EN
125A,4P,Controller type H, II positions	CSM01777	MATSN-250/125/4H II -EN
160A,4P,Controller type H, II positions	CSM01778	MATSN-250/160/4H II -EN
200A,4P,Controller type H, II positions	CSM01779	MATSN-400/200/4H II -EN
250A,4P,Controller type H, II positions	CSM01780	MATSN-400/250/4H II -EN
320A,4P,Controller type H, II positions	CSM01781	MATSN-400/320/4H II -EN
400A,4P,Controller type H, II positions	CSM01782	MATSN-400/400/4H II -EN
16A,2P,Controller type A, III positions	CSM01783	MATSN-125/16/2A III -EN
20A,2P,Controller type A, III positions	CSM01784	MATSN-125/20/2A III -EN
25A,2P,Controller type A, III positions	CSM01785	MATSN-125/25/2A III -EN
32A,2P,Controller type A, III positions	CSM01786	MATSN-125/32/2A III -EN
40A,2P,Controller type A, III positions	CSM01787	MATSN-125/40/2A III -EN
50A,2P,Controller type A, III positions	CSM01788	MATSN-125/50/2A III -EN

# MATSN Series Dual Source Automatic Transfer Switches Selection Guide

Product Description	Part No.	Article No.
63A,2P,Controller type A, III positions	CSM01789	MATSN-125/63/2A III -EN
80A,2P,Controller type A, III positions	CSM01790	MATSN-125/80/2A III -EN
16A,3P,Controller type A, III positions	CSM01791	MATSN-125/16/3A III -EN
20A,3P,Controller type A, III positions	CSM01792	MATSN-125/20/3A III -EN
25A,3P,Controller type A, III positions	CSM01793	MATSN-125/25/3A III -EN
32A,3P,Controller type A, III positions	CSM01794	MATSN-125/32/3A III -EN
40A,3P,Controller type A, III positions	CSM01795	MATSN-125/40/3A III -EN
50A,3P,Controller type A, III positions	CSM01796	MATSN-125/50/3A III -EN
63A,3P,Controller type A, III positions	CSM01797	MATSN-125/63/3A III -EN
80A,3P,Controller type A, III positions	CSM01798	MATSN-125/80/3A III -EN
100A,3P,Controller type A, III positions	CSM01799	MATSN-250/100/3A III -EN
125A,3P,Controller type A, III positions	CSM01800	MATSN-250/125/3A III -EN
160A,3P,Controller type A, III positions	CSM01801	MATSN-250/160/3A III -EN
200A,3P,Controller type A, III positions	CSM01802	MATSN-400/200/3A III -EN
250A,3P,Controller type A, III positions	CSM01803	MATSN-400/250/3A III -EN
320A,3P,Controller type A, III positions	CSM01804	MATSN-400/320/3A III -EN
400A,3P,Controller type A, III positions	CSM01805	MATSN-400/400/3A III -EN
16A,4P,Controller type A, III positions	CSM01806	MATSN-125/16/4A III -EN
20A,4P,Controller type A, III positions	CSM01807	MATSN-125/20/4A III -EN
25A,4P,Controller type A, III positions	CSM01808	MATSN-125/25/4A III -EN
32A,4P,Controller type A, III positions	CSM01809	MATSN-125/32/4A III -EN
40A,4P,Controller type A, III positions	CSM01810	MATSN-125/40/4A III -EN
50A,4P,Controller type A, III positions	CSM01811	MATSN-125/50/4A III -EN
63A,4P,Controller type A, III positions	CSM01812	MATSN-125/63/4A III -EN
80A,4P,Controller type A, III positions	CSM01813	MATSN-125/80/4A III -EN
100A,4P,Controller type A, III positions	CSM01814	MATSN-250/100/4A III -EN
125A,4P,Controller type A, III positions	CSM01815	MATSN-250/125/4A III -EN
160A,4P,Controller type A, III positions	CSM01816	MATSN-250/160/4A III -EN
200A,4P,Controller type A, III positions	CSM01817	MATSN-400/200/4A III -EN
250A,4P,Controller type A, III positions	CSM01818	MATSN-400/250/4A III -EN
320A,4P,Controller type A, III positions	CSM01819	MATSN-400/320/4A III -EN
400A,4P,Controller type A, III positions	CSM01820	MATSN-400/400/4A III -EN
16A,2P,Controller type B, III positions	CSM01821	MATSN-125/16/2B III -EN
20A,2P,Controller type B, III positions	CSM01822	MATSN-125/20/2B III -EN
25A,2P,Controller type B, III positions	CSM01823	MATSN-125/25/2B III -EN
32A,2P,Controller type B, III positions	CSM01824	MATSN-125/32/2B III -EN
40A,2P,Controller type B, III positions	CSM01825	MATSN-125/40/2B III -EN
50A,2P,Controller type B, III positions	CSM01826	MATSN-125/50/2B III -EN
63A,2P,Controller type B, III positions	CSM01827	MATSN-125/63/2B III -EN
80A,2P,Controller type B, III positions	CSM01828	MATSN-125/80/2B III -EN
16A,3P,Controller type B, III positions	CSM01829	MATSN-125/16/3B III -EN
20A,3P,Controller type B, III positions	CSM01830	MATSN-125/20/3B III -EN
25A,3P,Controller type B, III positions	CSM01831	MATSN-125/25/3B III -EN
32A,3P,Controller type B, III positions	CSM01832	MATSN-125/32/3B III -EN
40A,3P,Controller type B, III positions	CSM01833	MATSN-125/40/3B III -EN
50A,3P,Controller type B, III positions	CSM01834	MATSN-125/50/3B III -EN
63A,3P,Controller type B, III positions	CSM01835	MATSN-125/63/3B III -EN
80A,3P,Controller type B, III positions	CSM01836	MATSN-125/80/3B III -EN
100A,3P,Controller type B, III positions	CSM01837	MATSN-250/100/3B III -EN
125A,3P,Controller type B, III positions	CSM01838	MATSN-250/125/3B III -EN
160A,3P,Controller type B, III positions	CSM01839	MATSN-250/160/3B III -EN
200A,3P,Controller type B, III positions	CSM01840	MATSN-400/200/3B III -EN
250A,3P,Controller type B, III positions	CSM01841	MATSN-400/250/3B III -EN
320A,3P,Controller type B, III positions	CSM01842	MATSN-400/320/3B III -EN
400A,3P,Controller type B, III positions	CSM01843	MATSN-400/400/3B III -EN
16A,4P,Controller type B, III positions	CSM01844	MATSN-125/16/4B III -EN
20A,4P,Controller type B, III positions	CSM01845	MATSN-125/20/4B III -EN
25A,4P,Controller type B, III positions	CSM01846	MATSN-125/25/4B III -EN
32A,4P,Controller type B, III positions	CSM01847	MATSN-125/32/4B III -EN
40A,4P,Controller type B, III positions	CSM01848	MATSN-125/40/4B III -EN

# MATSN Series Dual Source Automatic Transfer Switches

## Selection Guide

Product Description	Part No.	Article No.
50A,4P,Controller type B, III positions	CSM01849	MATSN-125/50/4B III -EN
63A,4P,Controller type B, III positions	CSM01850	MATSN-125/63/4B III -EN
80A,4P,Controller type B, III positions	CSM01851	MATSN-125/80/4B III -EN
100A,4P,Controller type B, III positions	CSM01852	MATSN-250/100/4B III -EN
125A,4P,Controller type B, III positions	CSM01853	MATSN-250/125/4B III -EN
160A,4P,Controller type B, III positions	CSM01854	MATSN-250/160/4B III -EN
200A,4P,Controller type B, III positions	CSM01855	MATSN-400/200/4B III -EN
250A,4P,Controller type B, III positions	CSM01856	MATSN-400/250/4B III -EN
320A,4P,Controller type B, III positions	CSM01857	MATSN-400/320/4B III -EN
400A,4P,Controller type B, III positions	CSM01858	MATSN-400/400/4B III -EN
16A,2P,Controller type H, III positions	CSM01859	MATSN-125/16/2H III -EN
20A,2P,Controller type H, III positions	CSM01860	MATSN-125/20/2H III -EN
25A,2P,Controller type H, III positions	CSM01861	MATSN-125/25/2H III -EN
32A,2P,Controller type H, III positions	CSM01862	MATSN-125/32/2H III -EN
40A,2P,Controller type H, III positions	CSM01863	MATSN-125/40/2H III -EN
50A,2P,Controller type H, III positions	CSM01864	MATSN-125/50/2H III -EN
63A,2P,Controller type H, III positions	CSM01865	MATSN-125/63/2H III -EN
80A,2P,Controller type H, III positions	CSM01866	MATSN-125/80/2H III -EN
16A,3P,Controller type H, III positions	CSM01867	MATSN-125/16/3H III -EN
20A,3P,Controller type H, III positions	CSM01868	MATSN-125/20/3H III -EN
25A,3P,Controller type H, III positions	CSM01869	MATSN-125/25/3H III -EN
32A,3P,Controller type H, III positions	CSM01870	MATSN-125/32/3H III -EN
40A,3P,Controller type H, III positions	CSM01871	MATSN-125/40/3H III -EN
50A,3P,Controller type H, III positions	CSM01872	MATSN-125/50/3H III -EN
63A,3P,Controller type H, III positions	CSM01873	MATSN-125/63/3H III -EN
80A,3P,Controller type H, III positions	CSM01874	MATSN-125/80/3H III -EN
100A,3P,Controller type H, III positions	CSM01875	MATSN-250/100/3H III -EN
125A,3P,Controller type H, III positions	CSM01876	MATSN-250/125/3H III -EN
160A,3P,Controller type H, III positions	CSM01877	MATSN-250/160/3H III -EN
200A,3P,Controller type H, III positions	CSM01878	MATSN-400/200/3H III -EN
250A,3P,Controller type H, III positions	CSM01879	MATSN-400/250/3H III -EN
320A,3P,Controller type H, III positions	CSM01880	MATSN-400/320/3H III -EN
400A,3P,Controller type H, III positions	CSM01881	MATSN-400/400/3H III -EN
16A,4P,Controller type H, III positions	CSM01882	MATSN-125/16/4H III -EN
20A,4P,Controller type H, III positions	CSM01883	MATSN-125/20/4H III -EN
25A,4P,Controller type H, III positions	CSM01884	MATSN-125/25/4H III -EN
32A,4P,Controller type H, III positions	CSM01885	MATSN-125/32/4H III -EN
40A,4P,Controller type H, III positions	CSM01886	MATSN-125/40/4H III -EN
50A,4P,Controller type H, III positions	CSM01887	MATSN-125/50/4H III -EN
63A,4P,Controller type H, III positions	CSM01888	MATSN-125/63/4H III -EN
80A,4P,Controller type H, III positions	CSM01889	MATSN-125/80/4H III -EN
100A,4P,Controller type H, III positions	CSM01890	MATSN-250/100/4H III -EN
125A,4P,Controller type H, III positions	CSM01891	MATSN-250/125/4H III -EN
160A,4P,Controller type H, III positions	CSM01892	MATSN-250/160/4H III -EN
200A,4P,Controller type H, III positions	CSM01893	MATSN-400/200/4H III -EN
250A,4P,Controller type H, III positions	CSM01894	MATSN-400/250/4H III -EN
320A,4P,Controller type H, III positions	CSM01895	MATSN-400/320/4H III -EN
400A,4P,Controller type H, III positions	CSM01896	MATSN-400/400/4H III -EN



Eaton is an intelligent power management company dedicated to improving the quality of life and protecting the environment for people everywhere. We are guided by our commitment to do business right, to operate sustainably and to help our customers manage power - today and well into the future. By capitalizing on the global growth trends of electrification and digitalization, we're accelerating the planet's transition to renewable energy, helping to solve the world's most urgent power management challenges, and doing what's best for our stakeholders and all of society.

Eaton was founded in 1911 and has been listed on the New York Stock Exchange since 1923. We reported revenues of \$20.8 billion in 2022 and serve customers in more than 170 countries. Eaton entered the Chinese market in 1993 and has grown significantly since then. In 2004, Eaton moved its Asia-Pacific headquarters from Hong Kong to Shanghai. Today, Eaton has nearly 9,000 employees and 20 manufacturing facilities in China. Eaton is marking its 100th anniversary of being listed on the New York Stock Exchange, and its 30th anniversary of being in Chinese market.

For more information about Eaton China, visit [www.eaton.com.cn](http://www.eaton.com.cn)  
Follow Eaton China WeChat account: **Eaton\_China**

**Eaton**  
Asia Pacific Headquarters  
No.3, Lane 280, Linhong Road,  
Shanghai 200335, P.R. China  
[Eaton.com.cn](http://Eaton.com.cn)

© 2024 Eaton  
All rights reserved to interpret and modify  
the catalogue without notice.  
February 2024

Customer Service Center  
Contact: 800-988-1203  
400-921-0826  
Working hours: 09:00-17:00 (Mon-Fri)  
Technical service email:  
[TechCareCPCD@Eaton.com](mailto:TechCareCPCD@Eaton.com)



Scan the above QR code and follow  
Eaton China official WeChat account